

### 19" HONDA HOVER MOWER PARTS MANUAL

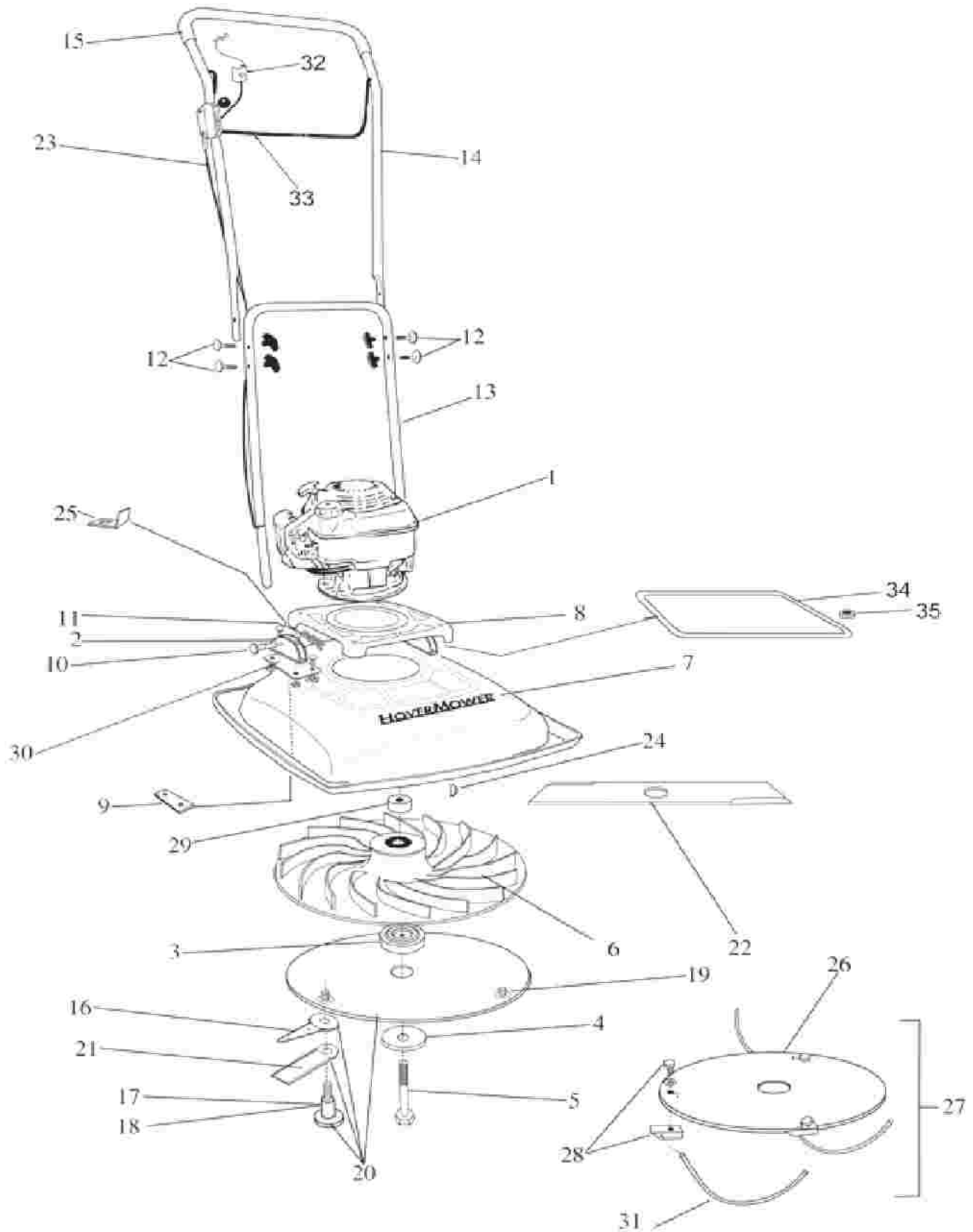
*Including HONDA GCV160 Engine Parts  
for Eastman Industries Hover Mower™ Model HM19H-4  
OP & non-OP versions*

#### Table of Contents

<u>Parts</u>	<u>Page</u>
HM19H4-OP	2-4
HM19H4 (non-OP)	5-7
Cylinder Barrel	8
Oil Pan	9
Crankshaft	10
Piston Connecting Rod	11
Camshaft Pulley	12
Recoil Starter	13
Fan Cover/Fuel System	14
Carburetor	15
Air Cleaner	16
Muffler	17
Flywheel	18
Control	19
Label	20

EASTMAN INDUSTRIES  
70 INGERSOLL DRIVE  
PORTLAND, ME 04103  
TEL (207) 878-5353  
TEL (800) 760-1680  
FAX (207) 878-9109  
EMAIL: [info@eastmanind.com](mailto:info@eastmanind.com)  
[www.eastmanmowers.com](http://www.eastmanmowers.com)

MODEL HM 19H4-OP



**FOR MODEL HM 19H4-OP**

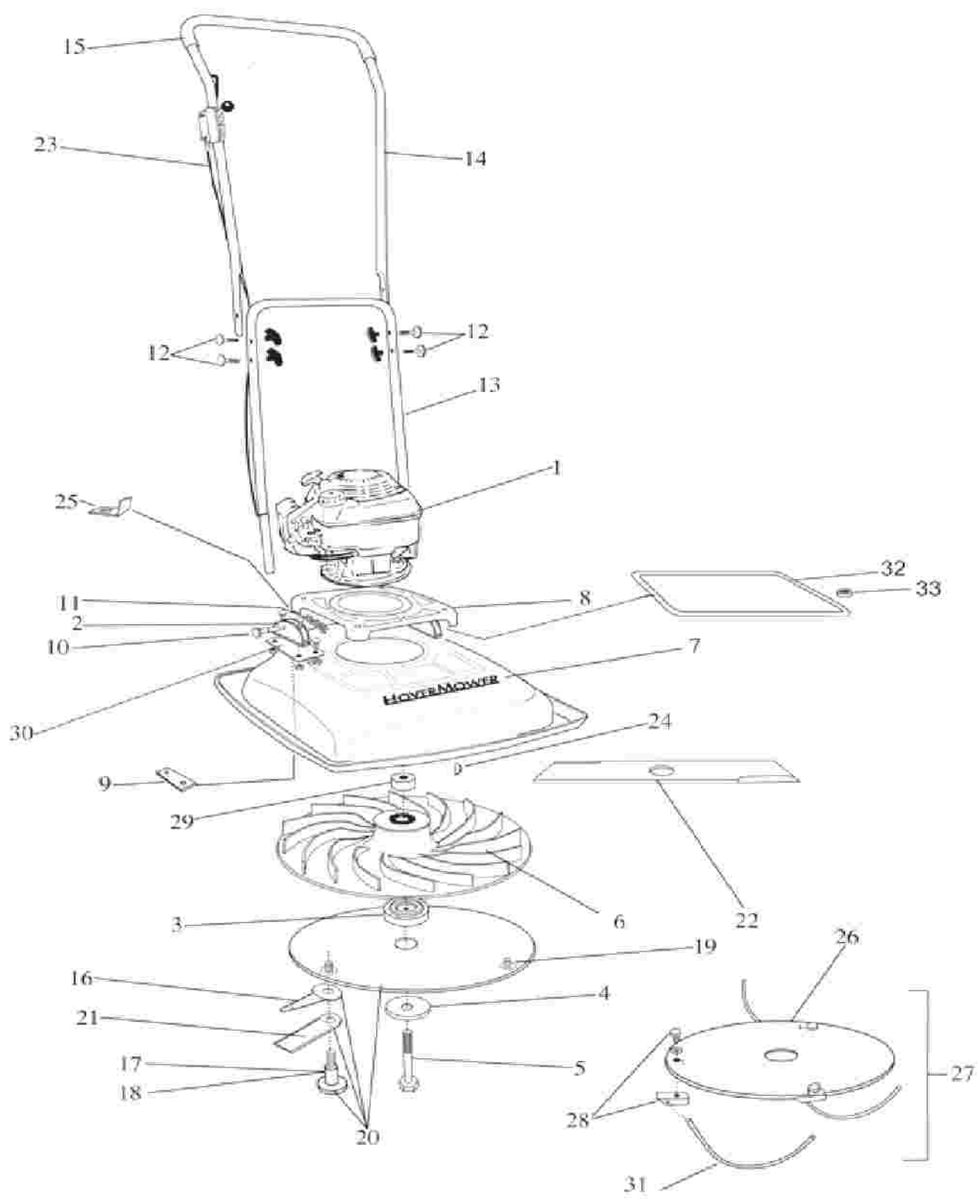
<b>SCM#</b>	<b>PART#</b>	<b>DESCRIPTION</b>
1	HM19GCV160-OP	Honda 5.5 HP, 4 Cycle Engine--U.S & Euro Certified
2	HM1550	Handle Bracket
3	HM19S-21556A	Height Adjustment Spacer 1/2"
3	HM19S-21556B	Height Adjustment Spacer 1/4"
4	PX5541	Impeller Flat Washer (subs from HM19S-21557)
5	HM19S-215581	Impeller Retaining Bolt 2 1/2"
5	HM19S-215582	Impeller Retaining Bolt 3"
5	HM19S-215583	Impeller Retaining Bolt 3 1/2"
6	HM19S-21560N	Impeller - 15"
7	HM19S-21562 *	Deck with Logos and Decals
8	HM19S-21565	Engine Mount
9	HM22569	Handle Mounting Plate
10	HM22573	Clevis Pin
11	HM2257	Hair Pin Cotter Key
12	HM22583	Handle Knob W/Hardware
13	HM19H-1549	Lower Handle
14	HM19S-21585	Upper Handle (With Grip)
15	HM1582	Handle Grip
16	HM1601-12	Nylon Blades ( Pkg of 12)
17	HM1602-3	Shoulder Bolts for Nylon Blades (Pkg of 3)
18	HM1603-3	Shoulder Bolts for Stainless Steel Blades (Pkg of 3)
19	HM19S-21603	Cutter Disc
20	HM19S-21606N	Cutter Disc with Nylon Blades & Bolts
20	HM19S-21606S	Cutter Disc with Stainless Steel Blades & Bolts
21	HM1605-3	Reversible Stainless Steel Blades (Pkg of 3)
22	HM19S-1607 **	Bar Blade (Not Available In The U.S.)
23	HM19H-21571	Throttle Control & Cable
24	HM19S-2175	Impeller Woodruff Key
25	HM1551N	Handle Stop
26	HM19S-21613	Cutter Disc for Nylon Strings
27	HM19S-21613T	Cutter Disc Assy. with Nylon Strings & Fasteners
28	HM1600	String Attachment Fastener (Pkg of 3)
29	HM19H-215585	Impeller Spacer (subs from HM19S-215585)
30	HM19H-50	Right Handle Bracket Extension Plate
31	HM1615-1	.130" Magnum Gatorline - 1 lb. Donut
31	HM1615-3	.130" Magnum Gatorline - 3 lb. Donut
32	WM1016	Brake Cable
33	HM19S-2172N	Bail Arm (subs from HM19S-2172)
34	HM19S-21566	Impeller Guard
35	HM19S-21611	Retaining Washer

\* use HM19H-21563 for European Certification

\*\* use HM20H-1607 for European Certification

**ACCESSORIES**

<b><u>SCM#</u></b>	<b><u>PART#</u></b>	<b><u>DESCRIPTION</u></b>
	HM19S-215584	Impeller "Pull" Bolt
	HM19S-21563	4" Lift Kit
	HM19H-21591	12" Handle Ext. Kit (Long Handle, Brake & Throttle Cables)
	WM1016L	Brake Cable, Long
	HM19H-21571L	Throttle Cable, Long
	HM1549L	Lower Handle Long



**PARTS LIST FOR MODEL HM 19H4 - MOWER DISCONTINUED - PARTS ONLY**

<b><u>SCM#</u></b>	<b><u>PART#</u></b>	<b><u>DESCRIPTION</u></b>
1	HM19GCV160 HM19H-OP-KIT ***	Honda 5.5 HP, 4 Cycle Engine--U.S & Euro Certified Bail Upgrade Kit
2	HM 1550	Handle Bracket
3	HM19S-21556A	Height Adjustment Spacer 1/2"
3	HM19S-21556B	Height Adjustment Spacer 1/4"
4	PX5541	Impeller Flat Washer (subs from HM19S-21557)
5	HM19S-215581	Impeller Retaining Bolt 2 1/2"
5	HM19S-215582	Impeller Retaining Bolt 3"
5	HM19S-215583	Impeller Retaining Bolt 3 1/2"
6	HM19S-21560N	Impeller - 15"
7	HM19S-21562 *	Deck with Logos and Decals
8	HM19S-21565	Engine Mount
9	HM 22569	Handle Mounting Plate
10	HM 22573	Clevis Pin
11	HM 2257	Hair Pin Cotter Key
12	HM 22583	Handle Knob W/Hardware
13	HM19H-1549	Lower Handle
14	HM19H-21585	Upper Handle (With Grip)
15	HM 1582	Handle Grip
16	HM 1601-12	Nylon Blades ( Pkg of 12)
17	HM 1602-3	Shoulder Bolts for Nylon Blades (Pkg of 3)
18	HM 1603-3	Shoulder Bolts for Stainless Steel Blades (Pkg of 3)
19	HM19S-21603	Cutter Disc
20	HM19S-21606N	Cutter Disc with Nylon Blades & Bolts
20	HM19S-21606S	Cutter Disc with Stainless Steel Blades & Bolts
21	HM 1605-3	Reversible Stainless Steel Blades (Pkg of 3)
22	HM19S-1607 **	Bar Blade (Not Available In The U.S.)
23	HM19H-21571	Throttle Control & Cable
24	HM19S-2175	Impeller Woodruff Key
25	HM 1551N	Handle Stop
26	HM19S-21613	Cutter Disc for Nylon Strings
27	HM19S-21613T	Cutter Disc Assy. with Nylon Strings & Fasteners
28	HM 1600	String Attachment Fastener (Pkg of 3)
29	HM19H-215585	Impeller Spacer (subs from HM19S-215585)
30	HM19H-50	Right Handle Bracket Extension Plate
31	HM 1615-1	.130" Magnum Gatorline - 1 lb. Donut
31	HM 1615-3	.130" Magnum Gatorline - 3 lb. Donut
32	HM19S-21566	Impeller Guard
33	HM19S-21611	Retaining Washer

\* use HM19H-21563 for European Certification

\*\* use HM20H-1607 for European Certification

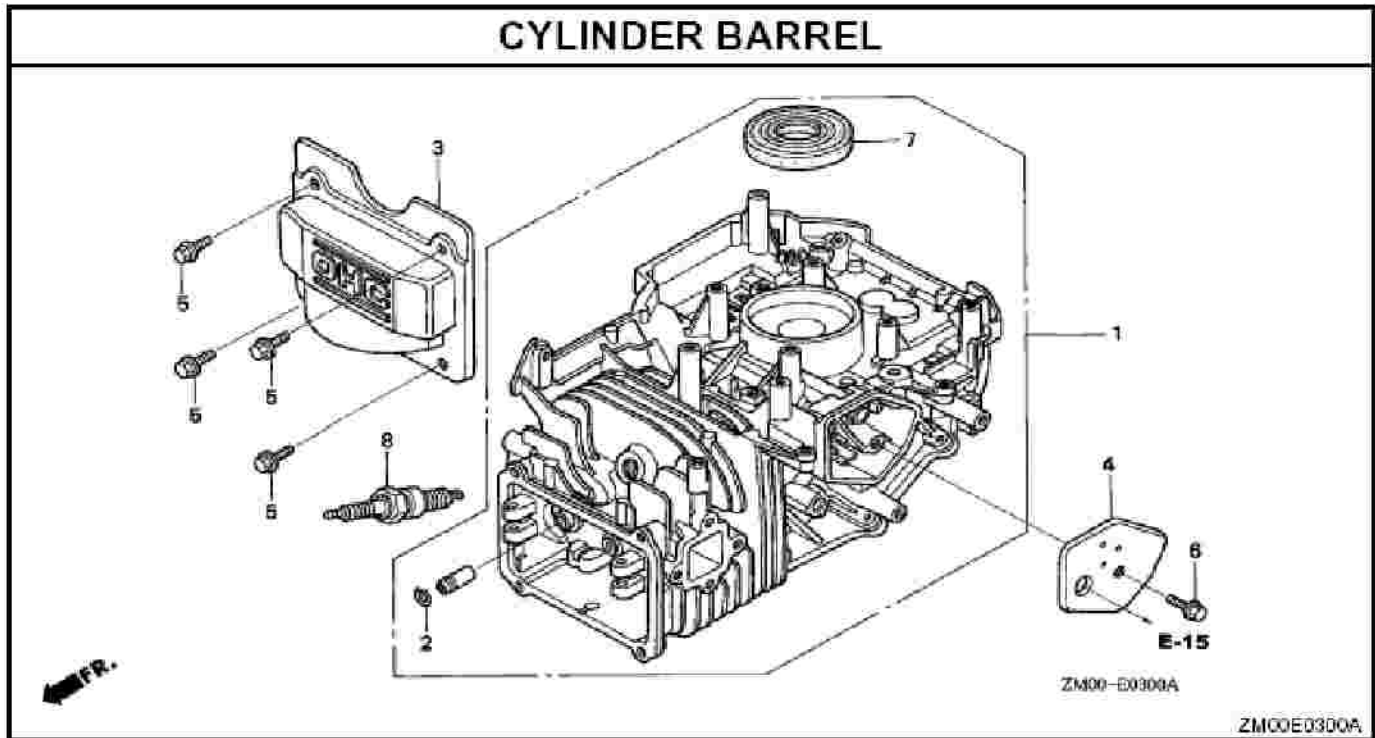
\*\*\* If handles don't have a black plug on each side to tuck the bail arm into, also order HM19S-21585 Upper Handle.

**ACCESSORIES**

<b><u>SCM#</u></b>	<b><u>PART#</u></b>	<b><u>DESCRIPTION</u></b>
	HM19S-215584	Impeller "Pull" Bolt
	HM19S-21563	4" Lift Kit
	HM19H-21590	12" Handle Extension Kit (Long Handle & Throttle Cable)
	HM19H-21571L	Throttle Cable Long
	HM1549L	Lower Handle Long

## HONDA GCV160 ENGINE PARTS MANUAL

Figure 10. Cylinder Barrel

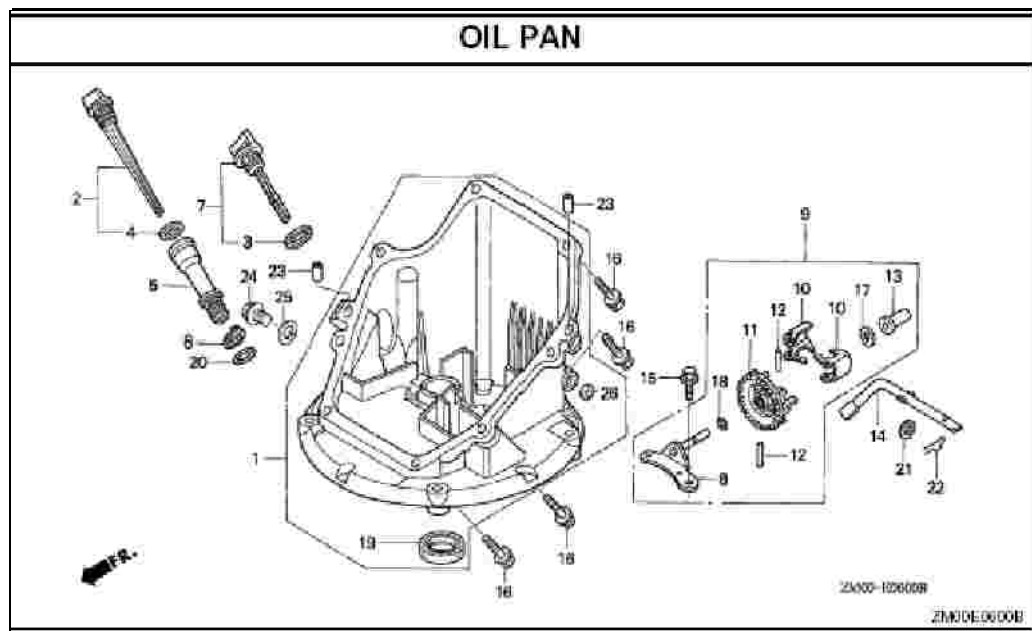


<u>Figure</u>	<u>Scm #</u>	<u>Part #</u>	<u>Description</u>	<u>Qty</u>
10	1	GC-12000-ZL8-415	Cylinder Assy. (010)	1
10	2	GC-12216-ZE5-300	Clip, Valve Guide	1
10	3	GC-12311-ZL8-000	Cover, Head	1
10	4	GC-12355-ZL8-000	Cover, Breather	1
10	5	GC-90013-883-000	Bolt, Flange (6X12) (CT200)	4
10	6	GC-90014-952-000	Bolt, Flange (6X14)	1
10	7	GC-91201-ZL8-003	Oil Seal, (25.4X62X6)	1
10	8	GC-98079-56846	Spark Plug (BRP6ES) (NGK)	1



## HONDA GCV160 ENGINE PARTS MANUAL

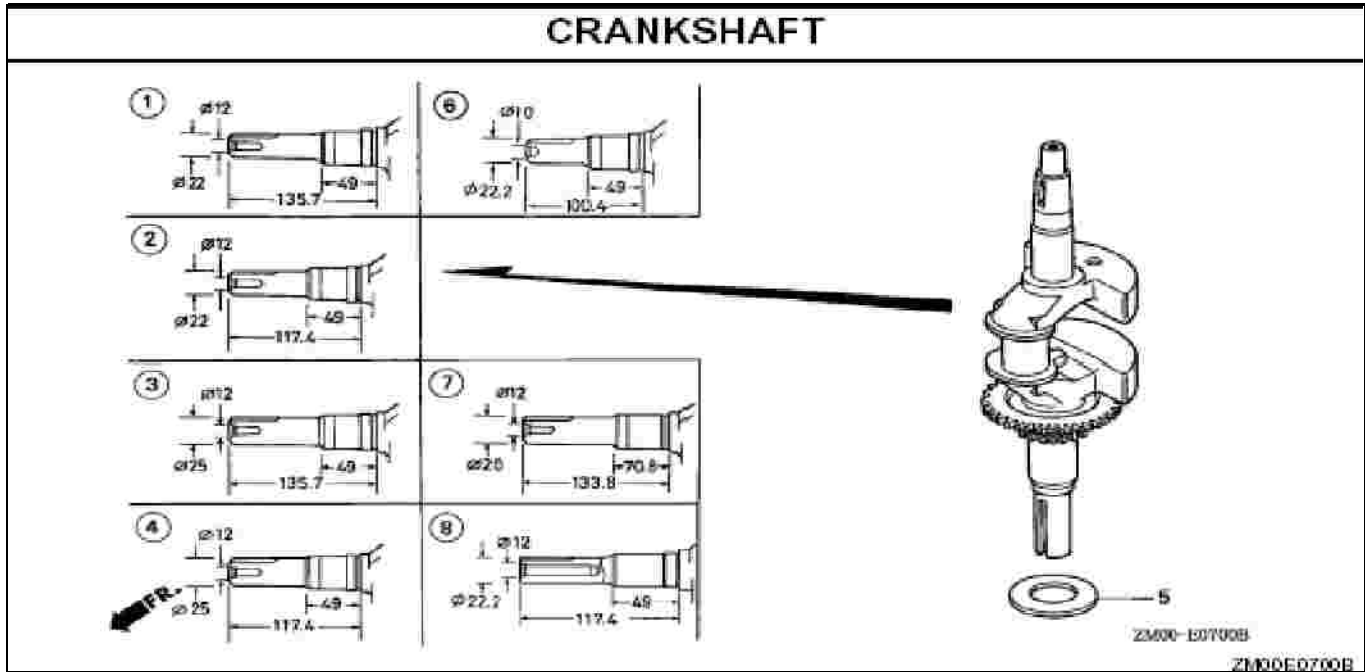
Figure 11. Oil Pan



<u>Figure</u>	<u>Scm #</u>	<u>Part #</u>	<u>Description</u>	<u>Qty</u>
11	1	GC-11300-ZOM-780	Pan Assy., Oil	1
11	2	GC-15650-ZMO-801	Gauge Assy., Oil Level	1
11	4	GC-15625-ZE6-000	Gasket, Oil Filter Cap	1
11	5	GC-15631-ZM0-000	Extension, Oil Filter	1
11	6	GC-15639-ZM0-000	Washer, Extension Lock	1
11	8	GC-16508-ZM0-010	Shaft, Governor Holder	1
11	9	GC-16510-ZM0-010	Governor, Assy.	1
11	10	GC-16511-ZL8-000	Weight, Governor	2
11	11	GC-16512-ZM0-000	Holder, Governor Weight	1
11	12	GC-16513-ZE1-000	Pin, Governor Weight	2
11	13	GC-16531-ZE1-000	Slider, Governor	1
11	14	GC-16541-ZM0-000	Shaft, Governor Arm	1
11	15	GC-90014-952-000	Bolt, Flange (6X14)	1
11	16	GC-90121-952-000	Bolt, Flange (6X25)	8
11	17	GC-90451-ZE1-000	Washer, Thrust (6MM)	1
11	18	GC-90602-ZE1-000	Clip, Governor Holder	1
11	19	GC-91202-ZL8-003	Oil Seal (28X41.25X6)	1
11	20	GC-91356-MA6-005	O-Ring (14.8X2.4) (NOK)	1
11	21	GC-94101-06800	Washer, Plain (6MM)	1
11	22	GC-94251-08000	Pin, Lock (8MM)	1
11	23	GC-94301-08200	Pin, Dowel (8.20)	2
11	26	GC-91231-891-003	Oil Seal (6X11X4)	1

**HONDA GCV160 ENGINE PARTS MANUAL**

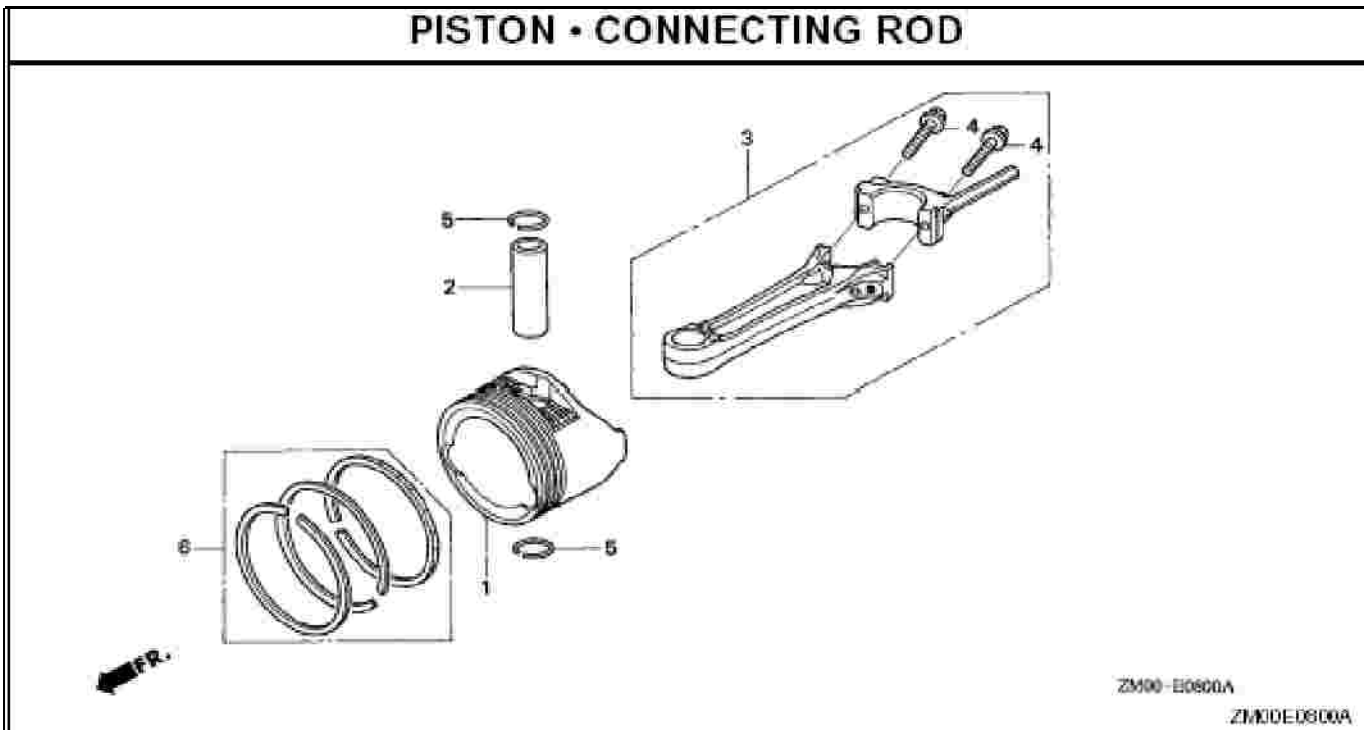
Figure 12. Crankshaft



<u>Figure</u>	<u>Ref #</u>	<u>Part #</u>	<u>Description</u>	<u>Qty</u>
12	5	GC-90402-ZL8-000	Washer, Thrust	1
12	6	GC-13310-ZOL-780	CrankShaft (N7-TYPE)	1

**HONDA GCV160 ENGINE PARTS MANUAL**

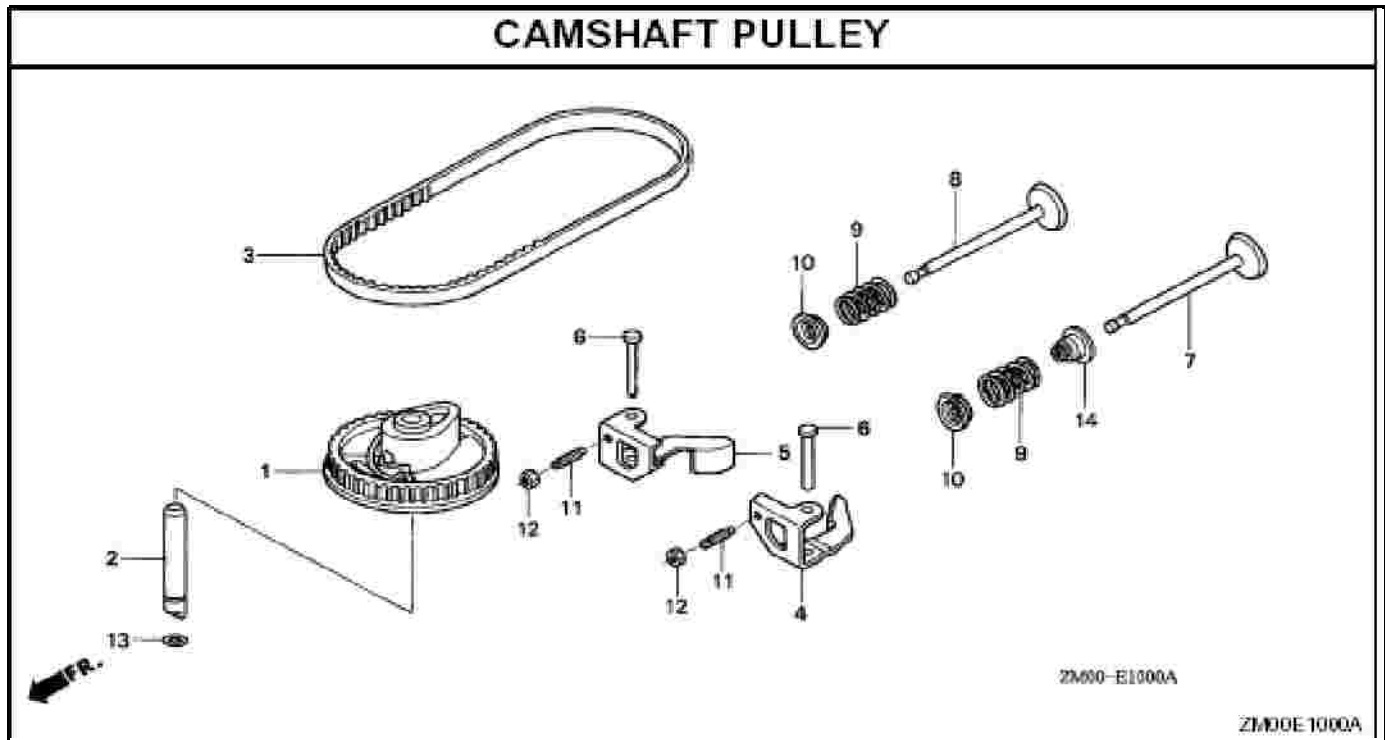
Figure 13. Piston - Connecting Rod



<u>Figure</u>	<u>Scm #</u>	<u>Part #</u>	<u>Description</u>	<u>Qty</u>
13	1	GC-13101-ZL8-000	Piston	1
13	2	GC-13111-ZE0-000	Pin, Piston	1
13	3	GC-13200-ZL8-000	Rod Assy., Connecting	1
13	4	GC-90001-ZE1-000	Bolt, Connecting Rod	2
13	5	GC-90551-ZE0-000	Clip, Piston Pin (13MM)	2
13	6	GC-13010-ZL8-014	Ring Set, Piston (TEIKOKU)	1

## HONDA GCV160 ENGINE PARTS MANUAL

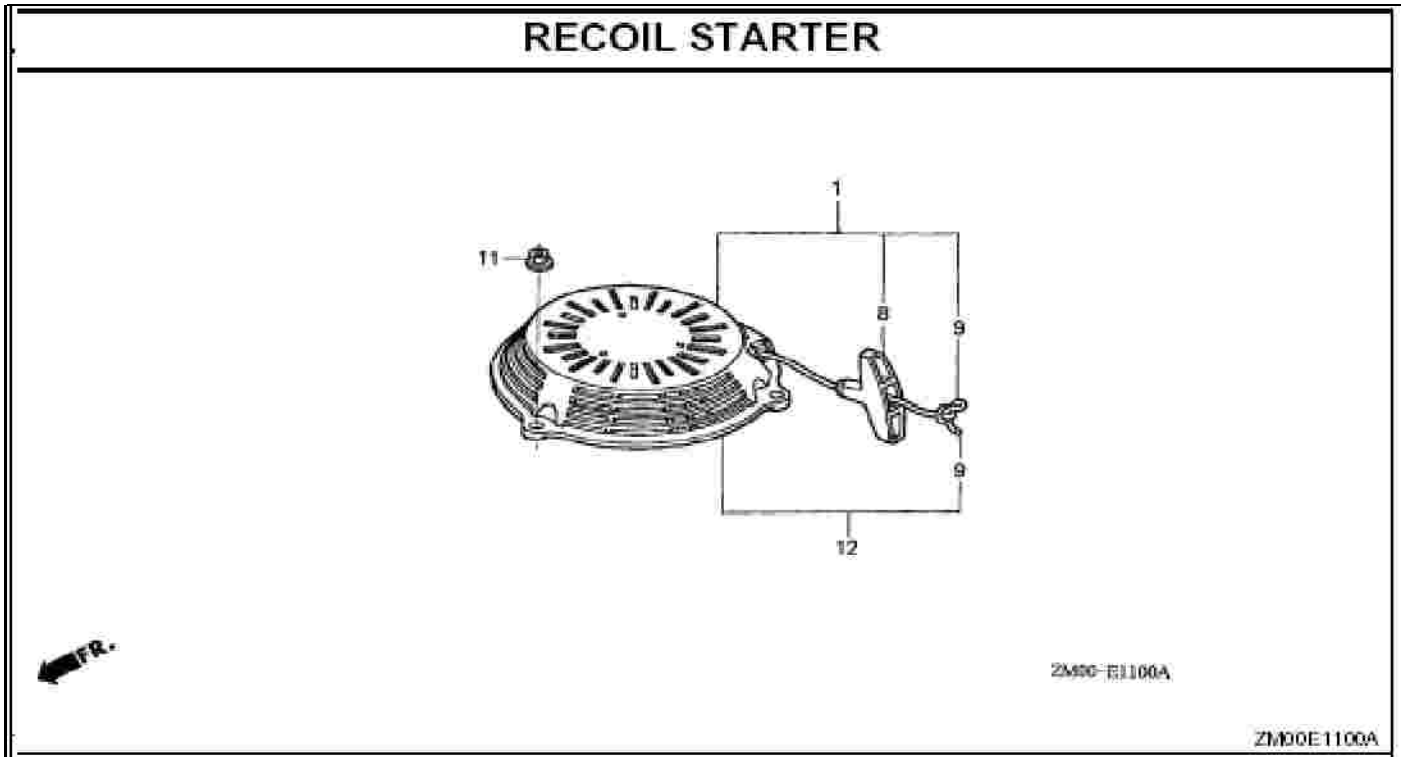
Figure 14. CamShaft Pulley



<u>Figure</u>	<u>Ref #</u>	<u>Part #</u>	<u>Description</u>	<u>Qty</u>
14	1	GC-14320-ZL8-010	Pulley, CamShaft	1
14	2	GC-14324-ZL8-000	Shaft Cam Pulley	1
14	3	GC-14400-ZL8-013	Belt Timing (84HU7 G-200)	1
14	4	GC-14431-ZL8-000	Arm, in. Valve Rocker	1
14	5	GC-14441-Z0J-000	Arm, Ex Valve Rocker (subs from -ZL8-000)	1
14	6	GC-14461-ZL8-000	Shaft, Rocker Arm	2
14	7	GC-14711-Z0J-000	Valve, in.	1
14	8	GC-14721-ZL8-000	Valve, Ex	1
14	9	GC-14751-ZL8-000	Spring, Valve	2
14	10	GC-14771-ZE1-000	Retainer, in. Valve Spring	2
14	11	GC-90012-333-000	Screw, Tappet Adj.	2
14	12	GC-90206-001-000	Nut, Tappet Adj.	2
14	13	GC-91301-ZM0-V31	O-Ring (6.8X1.9)	1
14	14	GC-12209-ZM0-003	Seal, Valve Stem	1

**HONDA GCV160 ENGINE PARTS MANUAL**

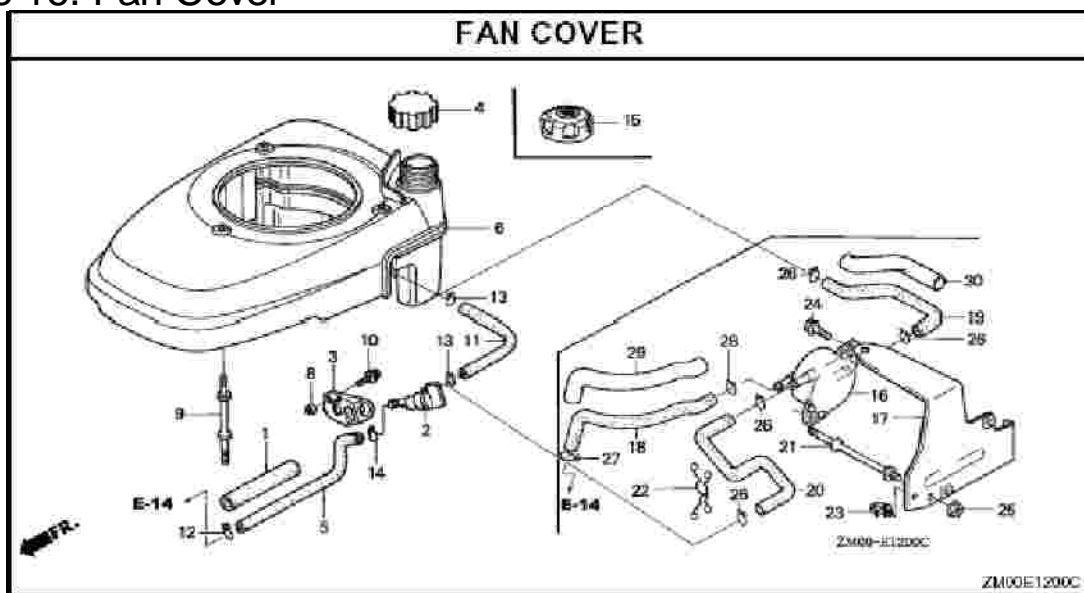
Figure 15. Recoil Starter



<u>Figure</u>	<u>Scm #</u>	<u>Part #</u>	<u>Description</u>	<u>Qty</u>
15	1	GC-28400-ZL8-023ZA	Starter Assy., ReCoil NH1 Blk	1
15	8	GC-28461-ZL8-003	Knob, ReCoil Starter	1
15	9	GC-28462-ZL8-003	Rope, ReCoil Starter	1
15	11	GC-90201-ZM0-000	Nut, Flange (6MM)	3

## HONDA GCV160 ENGINE PARTS MANUAL

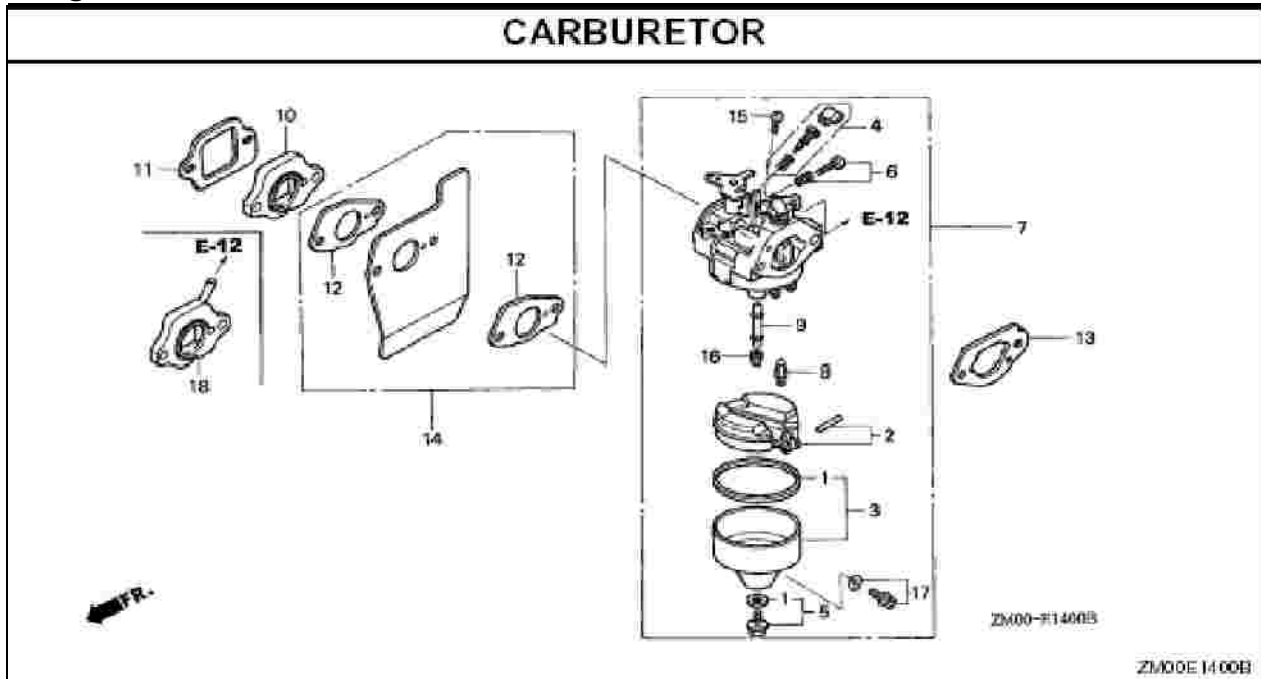
Figure 16. Fan Cover



<u>Figure</u>	<u>Scm #</u>	<u>Part #</u>	<u>Description</u>	<u>Qty</u>
16	1	GC-16854-ZH8-000	Rubber, Supporter (107MM)	1
16	2	GC-16950-ZG9-M02	Petcock, Assy. (MAN)	1
16	3	GC-16956-ZG9-M00	Bracket, Petcock	1
16	4	GC-17620-ZL8-013	Cap Assy, Fuel Tank	1
16	5	GC-17702-ZM0-000	Tube, Fuel	1
16	6	GC-19610-ZOL-000ZA	Cover, Fan *NH1* (BLACK)	1
16	8	GC-33609-GK4-620	Collar, Fr.Turn Signal	1
16	9	GC-90043-ZL8-000	Bolt, Stud	3
16	10	GC-93891-05010-08	Screw-Washer (5X10)	1
16	12	GC-95002-02080	Clip, Tube (B8)	1
16	14	GC-95002-50000	Clip, Tube (C9)	1
16	15	GC-17620-Z0J-800	Cap Assy, Fuel Tank, w/tether	1
16	16	GC-16700-ZOM-782	Pump Assy., Fuel	1
16	17	GC-16711-ZOL-780	Stay, Fuel Pump	1
16	18	GC-16882-ZOL-780	Tube, Diaphragm	1
16	19	GC-17701-ZOM-780	Tube, Fuel Tank	1
16	20	GC-17703-ZOL-780	Tube B, Fuel	1
16	21	GC-90041-ZOM-780	Bolt, Stud	1
16	22	GC-90601-ZOM-003	Clip, Purse Lock	1
16	23	GC-90659-680-013	Clip, Wire Harness	1
16	24	GC-93894-05014-00	Screw-Washer (5X14)	2
16	25	GC-94050-06000	Nut, Flange (6MM)	1
16	26	GC-95002-02100	Clip, Tube (B10)	4
16	27	GC-95002-45000	Clip, Tube (4.5)	1
16	28	GC-95002-50000	Clip, Tube (C9)	1
16	29	GC-95003-25003-10M	Bulk Hose, Vinyl	1
16	30	GC-95003-36003-10M	Bulk Hose, Vinyl	1

**HONDA GCV160 ENGINE PARTS MANUAL**

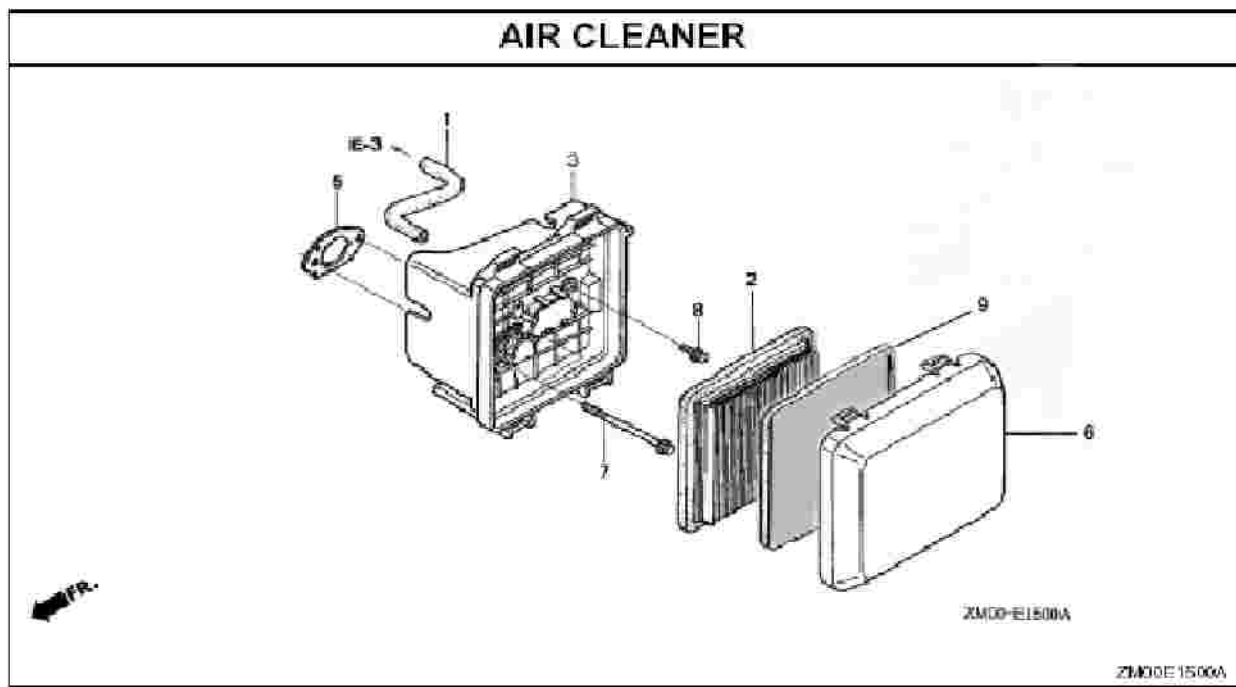
Figure 17. Carburetor



<u>Figure</u>	<u>Scm #</u>	<u>Part #</u>	<u>Description</u>	<u>Qty</u>
17	1	GC-16010-883-015	Gasket Set	1
17	2	GC-16013-ZL1-003	Float Set	1
17	3	GC-16015-887-782	Chamber Set, Float	1
17	4	GC-16016-ZGO-W00	Screw Set	1
17	5	GC-16028-ZE0-005	Screw Set B	1
17	6	GC-16029-ZGO-901	Screw Set	1
17	7	GC-16100-Z1L-013	Carburetor Assy (subs from -ZOL-781 and -Z1L-003)	1
17	8	GC-16155-ZM0-003	Valve, Float	1
17	9	GC-16166-ZM0-003	Nozzle, Main	1
17	11	GC-16212-ZL8-000	Gasket, Insulator	1
17	12	GC-16221-883-800	Gasket, Carburetor	2
17	13	GC-16228-ZL8-000	Gasket, Carburetor(Choke Side)	1
17	14	GC-19650-ZM0-000	Guide, Air	1
17	15	GC-93500-05006-OH	Screw, Pan (5X6)	1
17	16	GC-99101-124-0600	Jet, Main (#60)	1
17	16	GC-99101-124-0620	Jet, Main (#62)	1
17	16	GC-99101-124-0650	Jet, Main (#65)	1
17	17	GC-16024-ZE1-811	Screw Set, Drain	1
17	18	GC-16210-ZOM-780	Insulator, Carburetor	1

## HONDA GCV160 ENGINE PARTS MANUAL

Figure 18. Air Cleaner

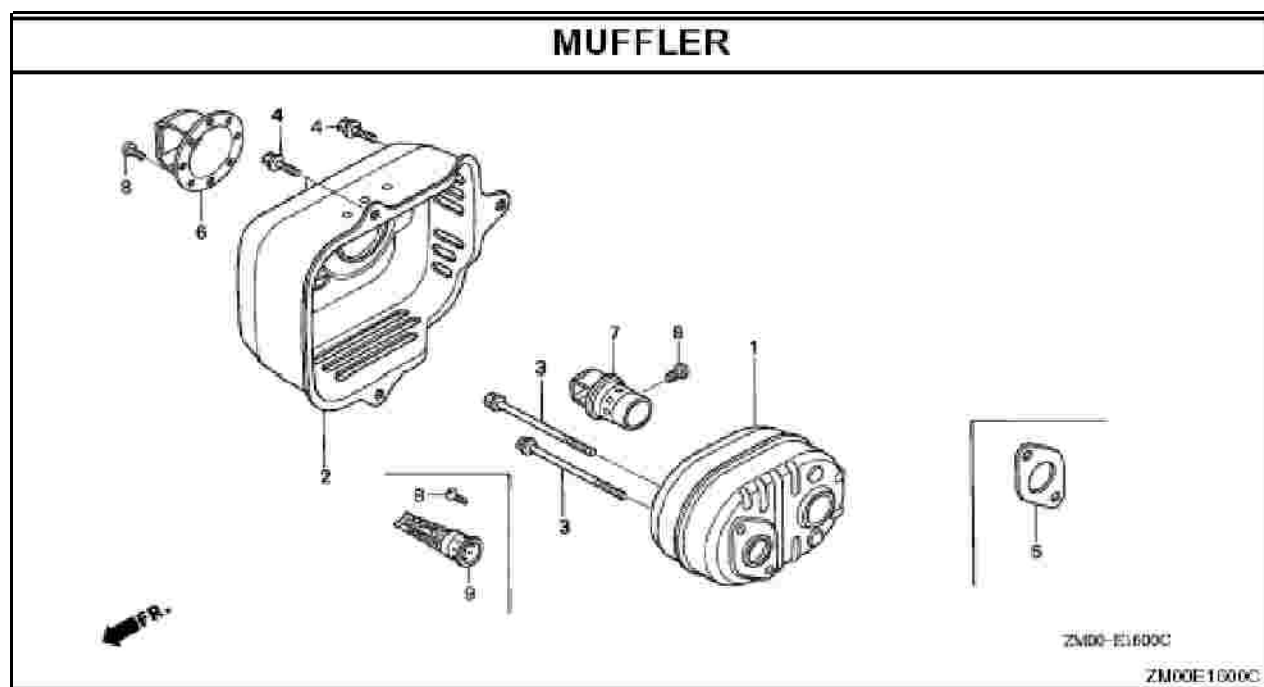


<u>Figure</u>	<u>Scm #</u>	<u>Part #</u>	<u>Description</u>	<u>Qty</u>
18	1	GC-15721-ZM0-000	Tube, Breather	1
18	2	GC-17211-ZL8-023	Element, Air Cleaner (subs from - 003)	1
18	3	GC-17220-ZM0-000	Case Assy., Air Cleaner	1
18	5	GC-17228-ZM0-000	Gasket, Air Cleaner	1
18	6	GC-17231-ZOL-000	Cover, Air Cleaner	1
18	7	GC-90003-ZM0-000	Bolt, Flange (6X86)(CT200)	2
18	8	GC-95701-06014-08	Bolt, Flange (6X14)	1
18	9	GC-17218-ZOD-000	Filter, Outer	1



## HONDA GCV160 ENGINE PARTS MANUAL

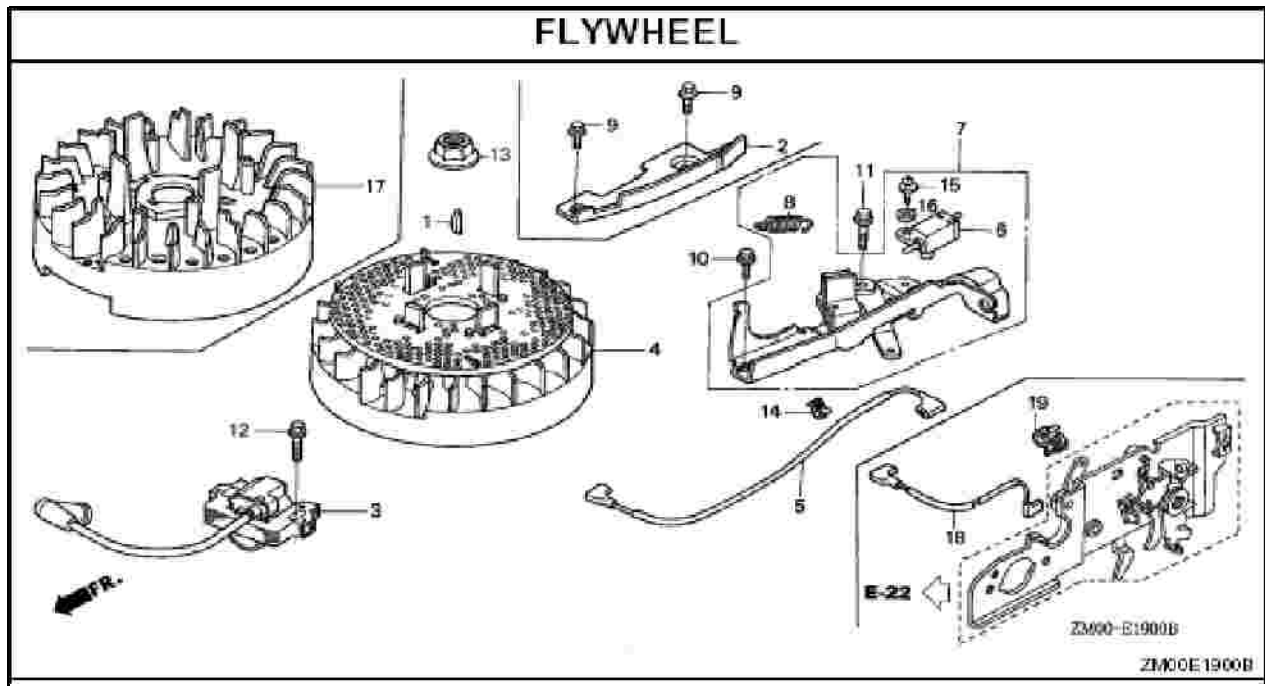
Figure 19. Muffler



<u>Figure</u>	<u>Scm #</u>	<u>Part #</u>	<u>Description</u>	<u>Qty</u>
19	1	GC-18310-ZM0-000	Muffler	1
19	2	GC-18320-ZOM-780	Protector, Muffler	1
19	2	GC-18321-AL8-000	Protector, Muffler	1
19	3	GC-90004-ZL8-000	Bolt, Flange (6X79)(CT200)	2
19	4	GC-90013-883-000	Bolt, Flange (6X12)(CT200)	3
19	5	GC-18381-ZL8-305	Gasket, Muffler	1

**HONDA GCV160 ENGINE PARTS MANUAL**

Figure 20 Flywheel



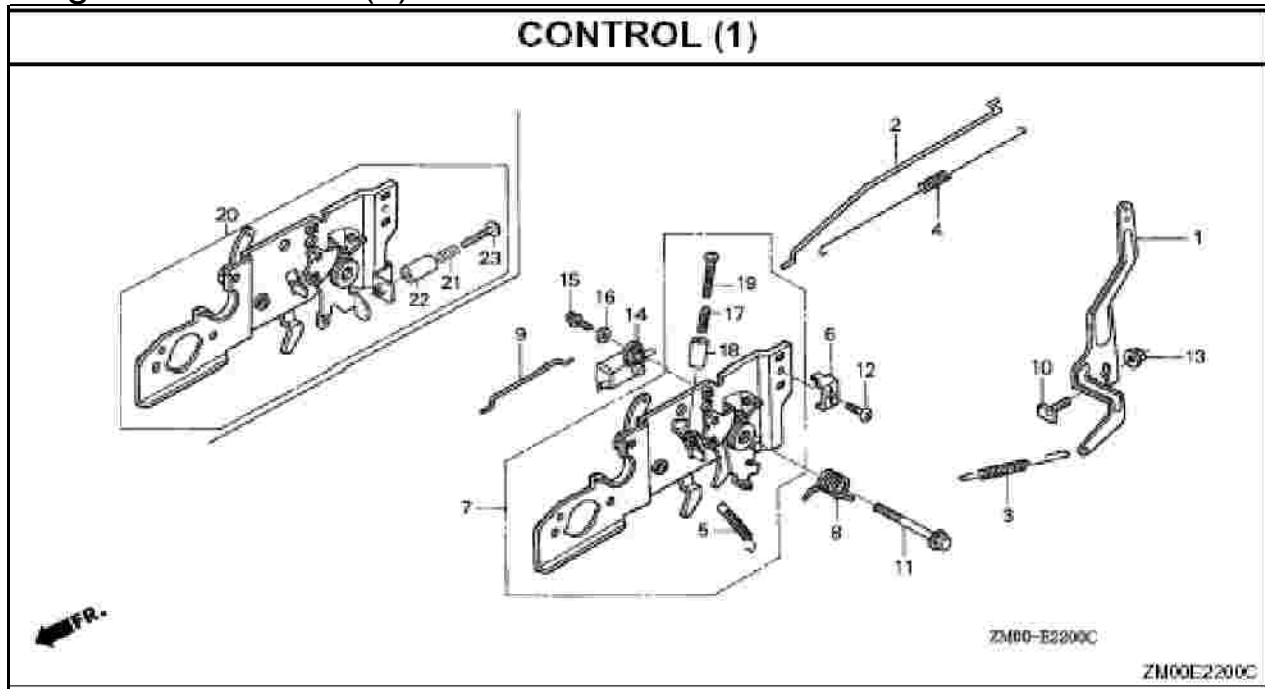
<u>Figure</u>	<u>Scm #</u>	<u>Part #</u>	<u>Description</u>	<u>Qty</u>
20	1	GC-13331-357-000	Key, Special Woodruff (25X18)	1
20	2	GC-19612-ZM0-J20	Plate, Side	1
20	3	GC-30500-ZOJ-003	Coil Assy., Ignition	1
20	4	GC-31105-ZOL-000	Flywheel Assy.	1
20	9	GC-90013-883-000	Bolt, Flange (6X12)(CT200)	2
20	12	GC-90022-888-010	Bolt, Flange (6X20)(CT200)	1
20	13	GC-90201-878-003	Nut, Special (14MM)	1
20	18	GC-32195-ZM0-800	Wire, Stop Switch	1
20	19	GC-90681-959-003	Clip, Cable (A)	1
		35120-ZL8-0003	Switch Assy, Engine Stop	1

**Operator's Presence:**

20	11	HM19H-21750	Flywheel Brake Screw	1
20	7	75100-ZM0-000	Brake Assy	1
20	2	GC-19612-ZM0-J20	Plate, Side (Removed)	
20	9	GC-90013-883-000	Bolt, Flange (6X12)(CT200)	1
20	10	GC-90681-959-003	Clip, Cable (A) (Removed)	

## HONDA GCV160 ENGINE PARTS MANUAL

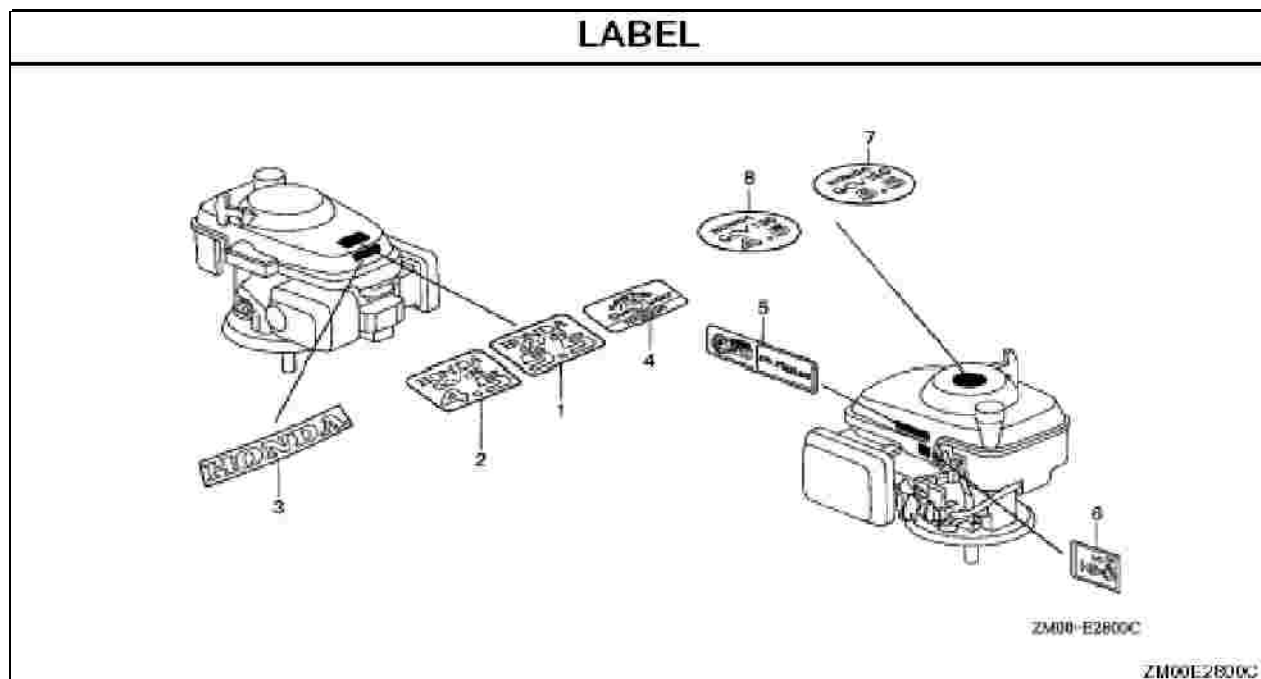
Figure 21 Control (1)



<u>Figure</u>	<u>Scm #</u>	<u>Part #</u>	<u>Description</u>	<u>Qty</u>
21	1	GC-16551-ZM0-010	Arm, Governor	1
21	2	GC-16555-ZM0-000	Rod, Governor	1
21	3	GC-16561-ZM0-V30	Spring, Governor	1
21	4	GC-16562-ZM0-000	Spring, Throttle Return	1
21	6	GC-16576-891-000	Holder, Cable	1
21	9	GC-16674-ZM0-000	Rod, Choke	1
21	10	GC-90015-ZE5-010	Bolt, Governor Arm	1
21	11	GC-90016-ZM0-000	Bolt, Flange (6X45)(CT200)	1
21	12	GC-93500-05016-0A	Screw, Pan (5X16)	1
21	13	GC-94050-06000	Nut, Flange (6MM)	1
21	14	GC-35120-ZL8-003	Switch Assy., Engine Stop	1
21	15	GC-93892-04012-00	Screw-Washer (4X12)	1
21	16	GC-94103-04000	Washer, Plain (4MM)	1
21	17	GC-16584-883-300	Spring, Control Adjusting	1
21	18	GC-16599-ZG1-M10	Collar, Stopper	1
21	19	GC-90016-ZE7-W00	Screw, Recessed (5X28)	1
21	20	GC-16580-ZOM-780	Base, Control	1
21	21	GC-16584-883-300	Spring, Control Adjusting	1
21	22	GC-16599-ZG1-M10	Collar, Stopper	1
21	23	GC-90016-ZE7-W00	Screw, Recessed (5X28)	1

## HONDA GCV160 ENGINE PARTS MANUAL

Figure 22 Label



<u>Figure</u>	<u>Scm #</u>	<u>Part #</u>	<u>Description</u>	<u>Qty</u>
22	7	GC-87101-Z0L-780	Mark, Emblem (GCV160)	1