

Eastman | Ingersoll

Eastman Commercial

SPX-B PARTS MANUAL

*Including Kawasaki FJ180V-AM14 Engine Parts
for Eastman Industries Commercial Mower Model SPX-B*

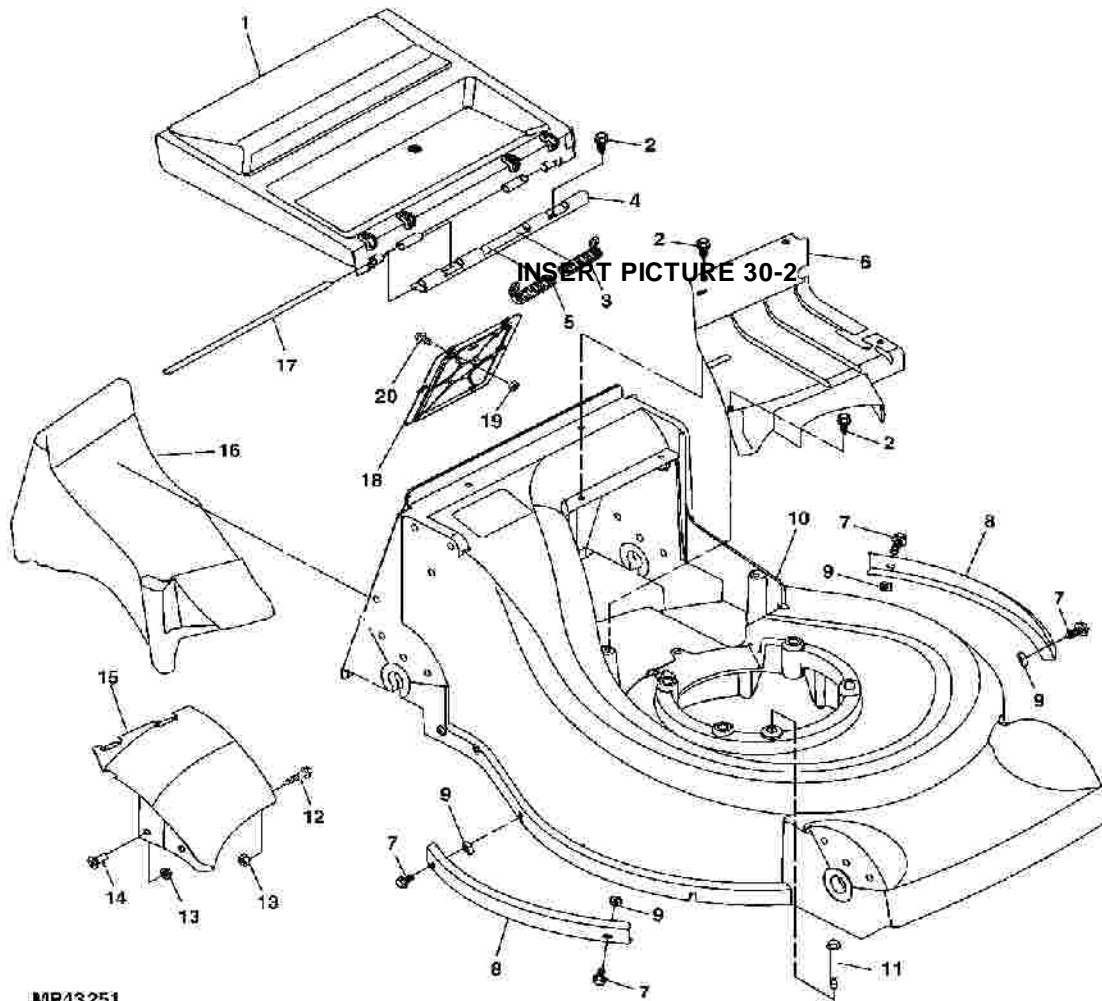


Table of Contents

<u>Parts</u>	<u>Page</u>
Mower Parts	2 - 7
Cylinder/Crankcase	8 - 9
Piston/Crankcase	10 - 11
Valve/Camshaft	12 - 13
Lubrication Equipment	14 - 15
Cooling Equipment	16 - 17
Electric Equipment	18 - 19
Control Equipment	20 - 21
Carburetor	22 - 23
Air Filter/Muffler	24 - 25
Fuel Tank/Fuel Valve	26 - 27
Starter	28 - 29
Brake/Cover	30 - 31
Label	32 - 33

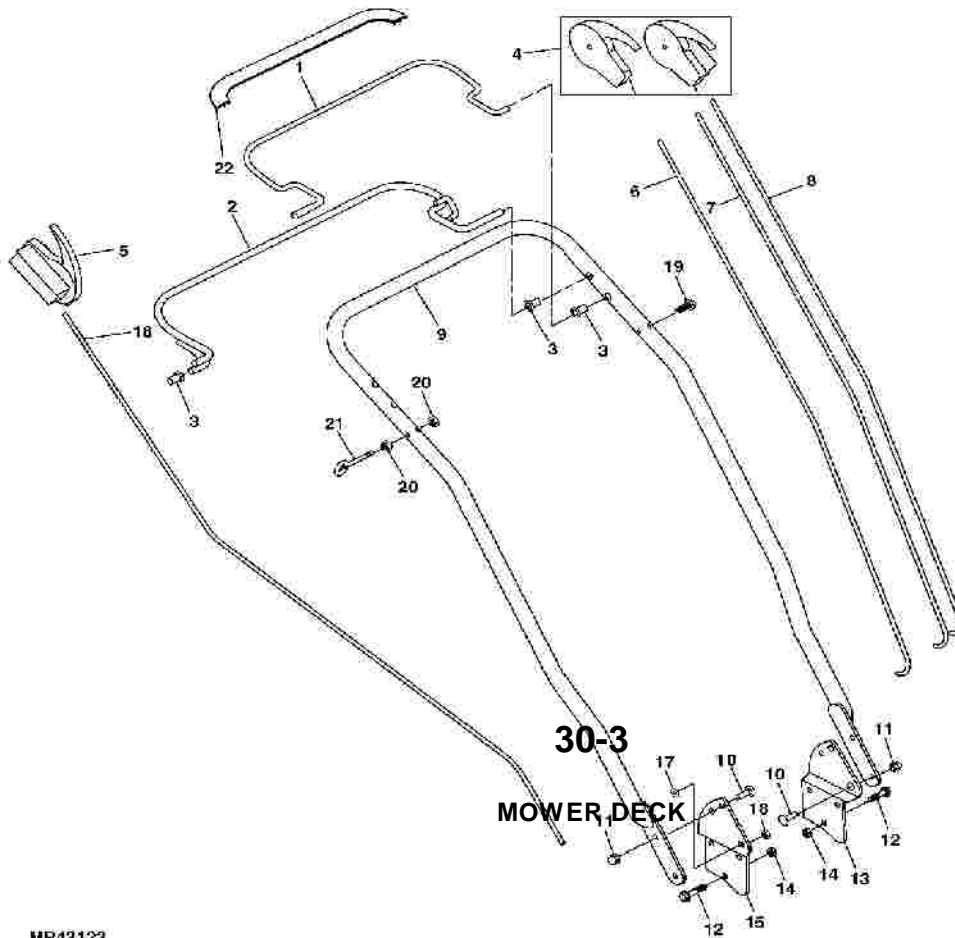
EASTMAN INDUSTRIES
70 INGERSOLL DRIVE
PORTLAND, ME 04103
TEL (207) 878-5353
TEL (800) 760-1680
FAX (207) 878-9109
EMAIL: info@eastmanind.com
www.eastmanmowers.com

SPX-B



MOWER DECK

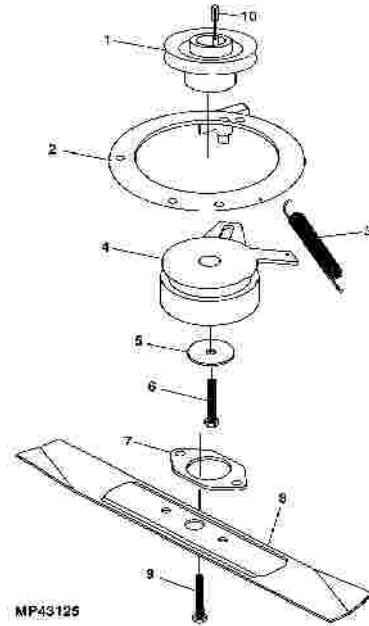
<u>Key</u>	<u>Part #</u>	<u>Description</u>	<u>Qty</u>
1	PX5001-JDC	DOOR- DISCHARGE W/ SAFETY LABEL	1
2	PX5516	SCREW	6
3	PX5005L	SPRING	1
4	PX5004	HINGE	1
5	PX5005R	SPRING	1
6	PX5002	COVER	1
7	PX5512	BOLT	4
8	PX5009	GUARD- EDGE	2
9	PX5513	NUT	4
10	PX5040-E	MOWER DECK- W/ LABELS	1
11	PX5521	BOLT, ENGINE	1
12	PX5520	BOLT	2
13	PX5530	NUT	4
14	PX5519	SCREW	2
15	PX5003	CHUTE- DISCHARGE	1
16	PX5000	PLUG- MULCH	1
17	PX5008	PIN	1
18	PX5051	PANEL- TRANSMISSION ACCESS	1
19	PX5530	NUT	6
20	PX5518	CAP SCREW	6



MP43122

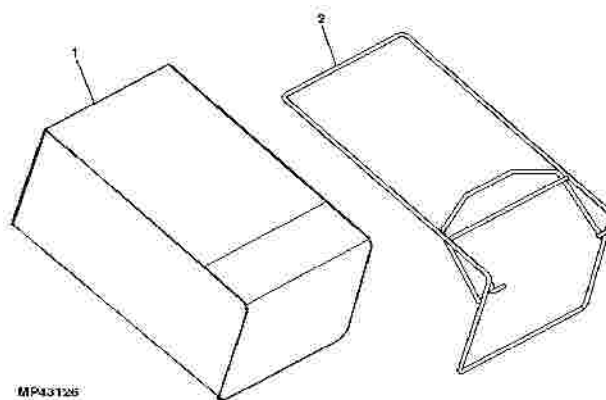
LEVERS AND HANDLES

<u>Key</u>	<u>Part #</u>	<u>Description</u>	<u>Qty</u>	
1	PX5047	LEVER- BBC	1	
2	PX5049	LEVER- TRACTION	1	
3	PX5069	BUSHING	4	
4	PX5079	CONTROL- DUAL ASSEMBLY, SP & THROTTLE	1	
5	PX5082	CONTROL - BBC TRACTION & CABLE ASSEMBLY	1	
6	PX5070	CABLE - TRACTION CABLE (CLUTCH)	1	
7	PX5073	CABLE - THROTTLE CABLE	1	
8	PX5071	CABLE- OPC (BRAKE)	1	
9	PX5025	HANDLEBAR	1	
10	PX5508	BOLT	4	
11	PX5507	NUT	4	
12	PX5506	BOLT	6	
13	PX5045	BRACKET- LH	1	
14	PX5510	NUT	6	
15	PX5046	BRACKET- RH	1	
16	PX5083	CABLE, BBC - subs to PX5082	1	Not sold separately
17	PX5533	WASHER	1	
18	PX5510	NUT	1	
19	PX5525	SCREW	1	
20	PX5530	NUT	2	
21	PX5537	ROPE GUIDE	1	
22	PX5024	GRIP- COVER/BBC	1	



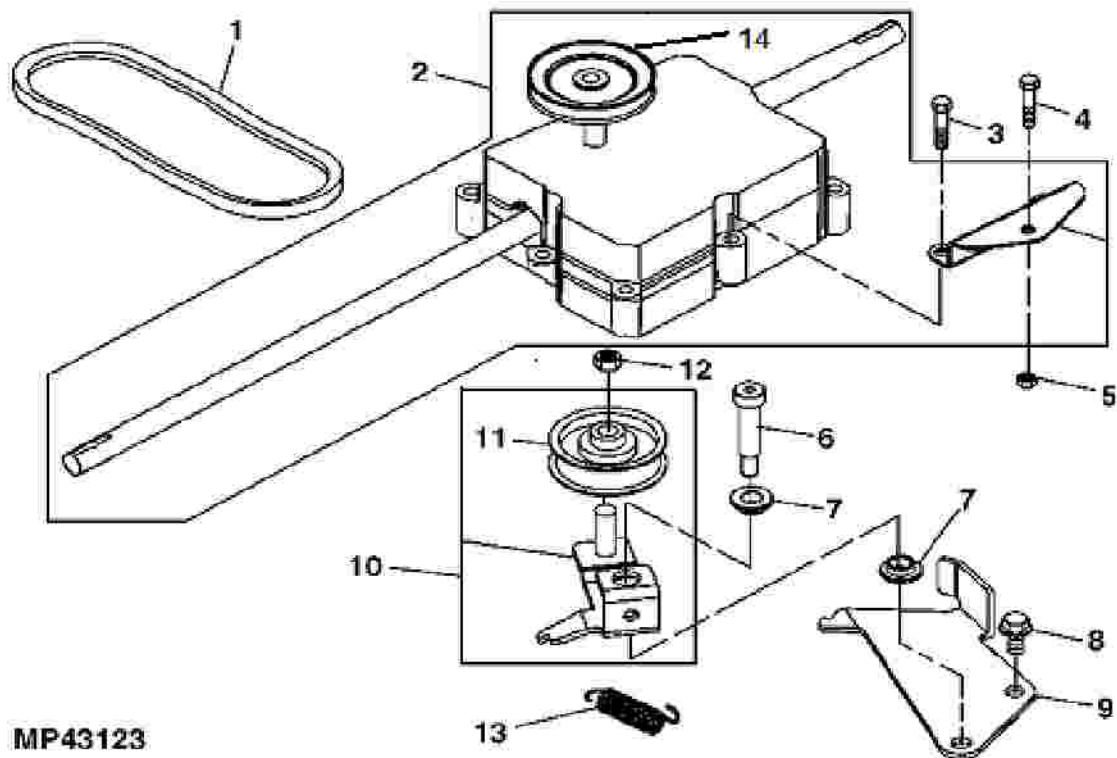
BLADE AND ADAPTER

<u>Key</u>	<u>Part #</u>	<u>Description</u>	<u>Qty</u>
1	PX5042	PULLEY, BBC	1
2	PX5053-2	PLATE, BBC	1
3	PX5103	SPRING, BBC	1
4	PX5104	BBC CLUTCH	1
5	PX5541	WASHER	1
6	PX5503	BOLT	1
7	PX5081	SPACER	1
8	PX5036-2	BLADE, HIGH LIFT	1
9	PX5523	BOLT	1
10	PX5535	KEY, SHAFT	1



GRASS CATCHER

<u>Key</u>	<u>Part #</u>	<u>Description</u>	<u>Qty</u>
1	PX5061	BAG	1
2	PX5062	FRAME	1

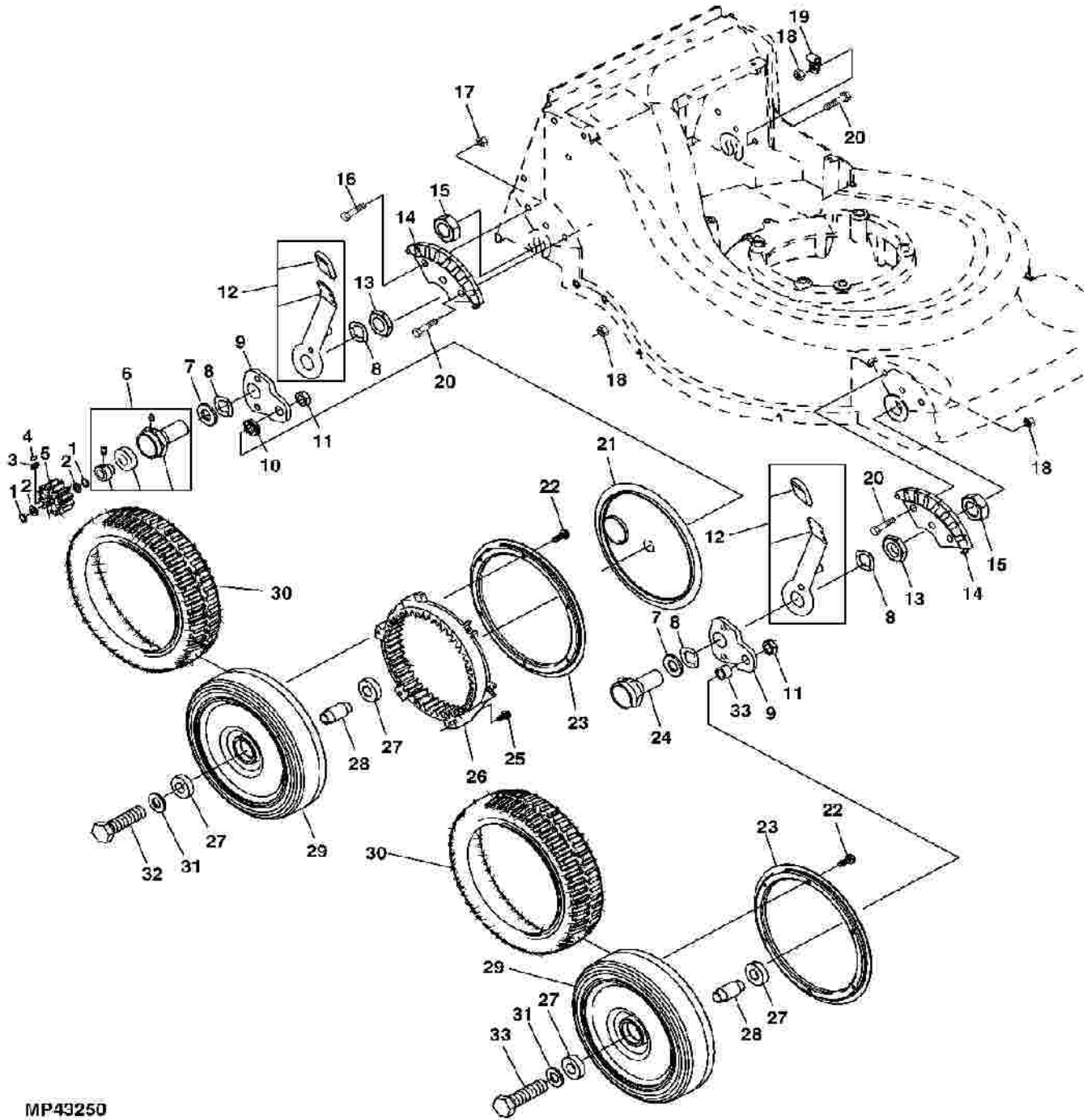


MP43123

TRANSMISSION

<u>Key</u>	<u>Part #</u>	<u>Description</u>	<u>Qty</u>
1	PX5084	V-BELT	1
2	PX5043	TRANSMISSION	1
3	NSS	BOLT (PART OF TRANSMISSION)	2
4	PX5520	BOLT	1
5	PX5530	NUT	1
6	PX5092	BOLT	1
7	PX5093	BUSHING	2
8	PX5528	BOLT	1
9	PX5091	BRACKET	1
10	PX5086	ARM	1
11	PX5089	PULLEY	1
12	PX5539	LOCK NUT	1
13	PX5094	SPRING, IDLER	1
14	PX5063	PULLEY, TRANSMISSION	1

WHEELS AND AXLES



MP49250

WHEELS AND AXLES

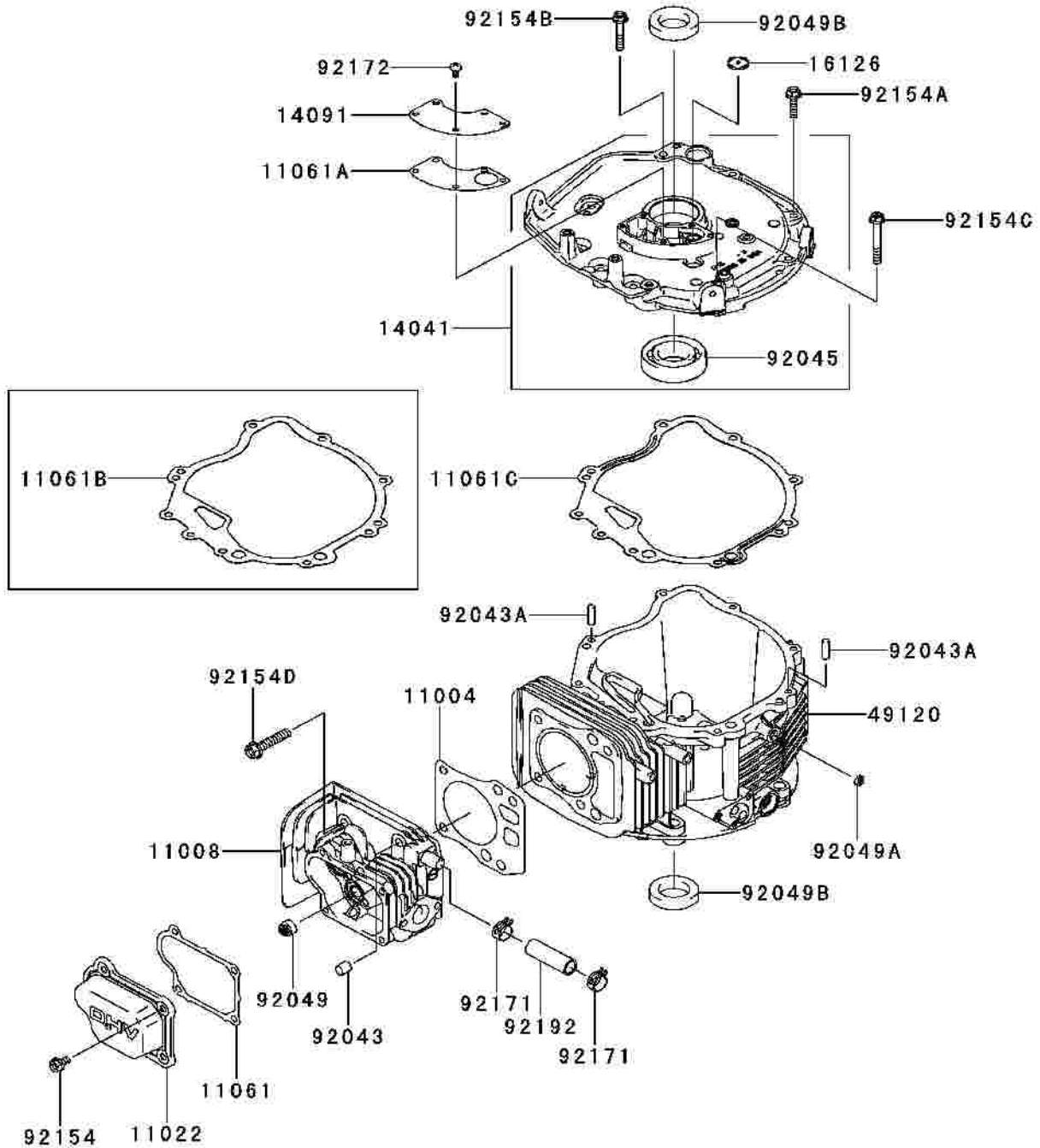
<u>Key</u>	<u>Part #</u>	<u>Description</u>	<u>Qty</u>
1	PX5511	CLIP- C	4
2	PX5080	WASHER- TANG	4
3	PX5039	SPRING	1
4	PX5038	SHAFT KEY	1
5	PX5022	GEAR- PINION	2
6	PX5095	HUB	2
7	PX5534	WASHER- FLAT	2
8	PX5031	WASHER	6
9	PX5017	BRACKET	4
10	PX5034	SPACER	4
11	PX5504	NUT	4
12	PX5018	LEVER	4
13	PX5029	NUT- THIN	4
14	PX5021	LOCATOR- HEIGHT ADJUSMENT	4
15	PX5527	NUT	4
16	PX5505	53	1
17	PX5531	NUT	1
18	PX5509	NUT	11
19	PX5542	J CLIP	1
20	PX5529	BOLT, LOCATOR	11
21	PX5006	COVER- DUST	4
22	PX5514	SCREW	24
23	PX5028	RING	4
24	PX5033	HUB- FRONT	2
25	PX5515	SCREW	12
26	PX5007	GEAR- REAR	2
27	PX5013	BEARING	8
28	PX5014	SPACER, BUSHING	4
29	PX5012	WHEEL- ALUMINIUM (SEE BELOW)	4
29	PX5012-ESP	WHEEL-ALUM W/ BEARINGS & BUSHING	4
30	PX5011	TIRE	4
31	PX5526	WASHER	4
32	PX5502	BOLT- REAR	2
33	PX5500	BOLT- FRONT	2
33	PX5032	FRONT SPACER	2

LABELS

<u>Key</u>	<u>Part #</u>	<u>Description</u>	<u>Qty</u>
	PX5105-C	LABEL, caution block wheels	1
	PX5110	LABEL, spark warning	1
	PX5105-D	LABEL, danger, red	1
	PX5105-E	LABEL, danger, rotating blades	1
	PX5105-B	LABEL, yellow caution	1
	PX5105-A	LABEL, danger, red	1
	PX5114	LABEL, Eastman Logo	1
	PX5108	LABEL, SPX-B logo	1
	PX5109	LABEL, SPX-Z logo	1
	PX5113	LABEL, SPX-P logo	1

KAWASAKI FJ180V-AM14 ENGINE PARTS MANUAL

E0110-A683A



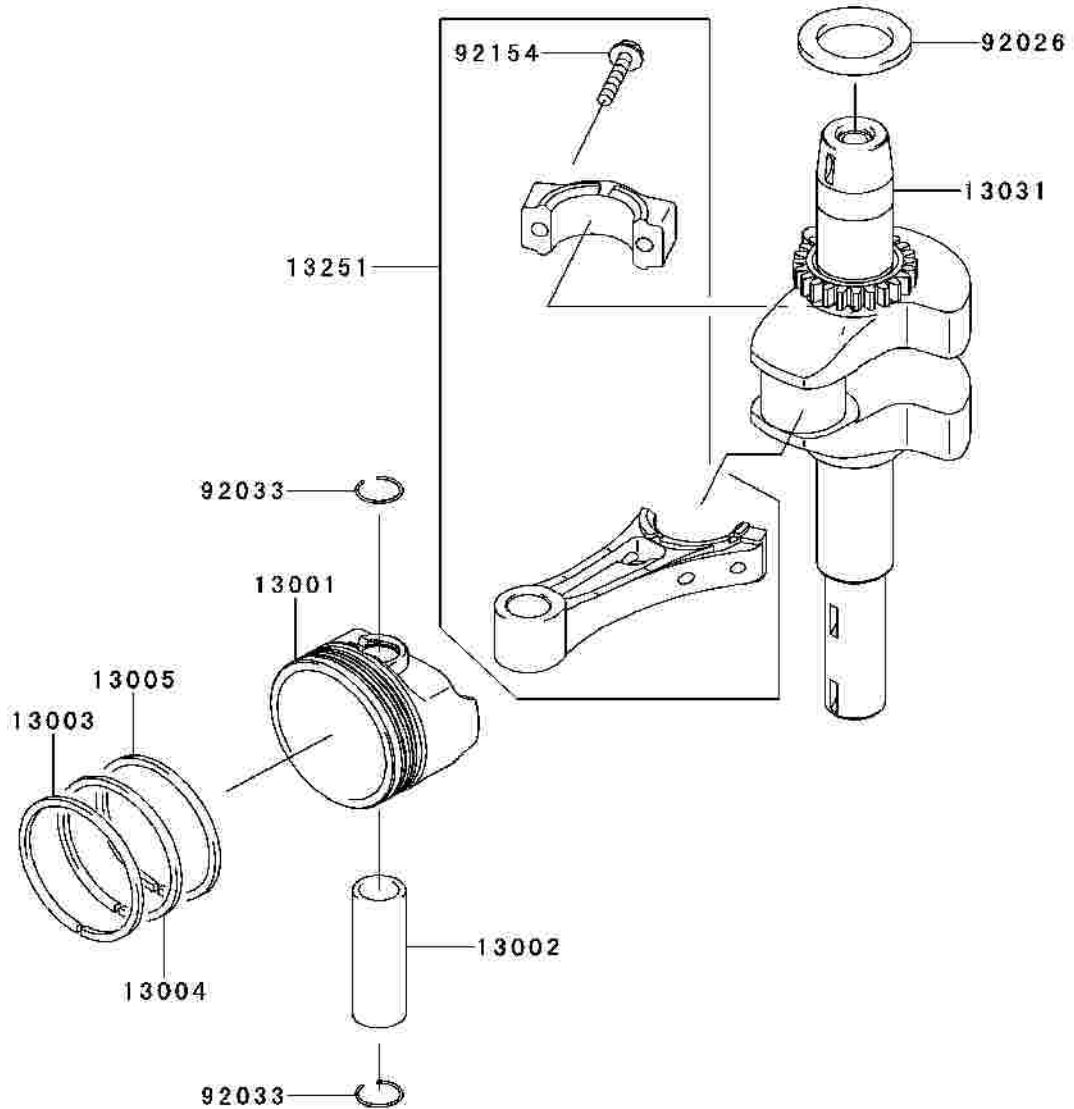
KAWASAKI FJ180V-AM14 ENGINE PARTS MANUAL

Figure B-03 CYLINDER/CRANKCASE

<u>Figure #</u>	<u>Part #</u>	<u>Description</u>	<u>Qty</u>
B-03	11004-2146	Gasket-Head	1
B-03	11008-2171	Head-Comp-Cylinder	1
B-03	11022-2083	Case- Rocker	1
B-03	11061-2210	Gasket,Case-Rocker	1
B-03	11061-2213	Gasket, Breather	1
B-04	11061-2214	Gasket, Cover, Crankcase	1
B-05	11061-2242	Gasket, Cover, Crankcase	1
B-03	14041-2058	Cover-Comp	1
B-03	14091-2138	Cover,Breather	1
B-03	16126-2247	Valve, Breather	1
B-03	49120-2358	Crankcase-Comp	1
B-03	92043-2261	Pin 10x12	2
B-03	92043-2263	Pin 6x12	2
B-03	92045-1207	Bearing, Ball, 62/28	1
B-03	92049-2272	Seal-Oil	1
B-03	92049-2273	Seal-Oil 6x10x2.5	1
B-03	92048-7008	Seal-Oil 28-44-9 tc	2
B-03	92154-2003	Bolt, 6x12	4
B-03	92154-2011	Bolt, 6x25	7
B-03	92154-2012	Bolt, 6x35	1
B-03	92154-2022	Bolt, 6x50	1
B-03	92154-2028	Bolt, 8x45	4
B-03	92171-2088	Clamp	2
B-03	92172-2108	Screw 5x10	5
B-03	92192-2184	Tube 12x16,49	1

KAWASAKI FJ180V-AM14 ENGINE PARTS MANUAL

E0120-A404B



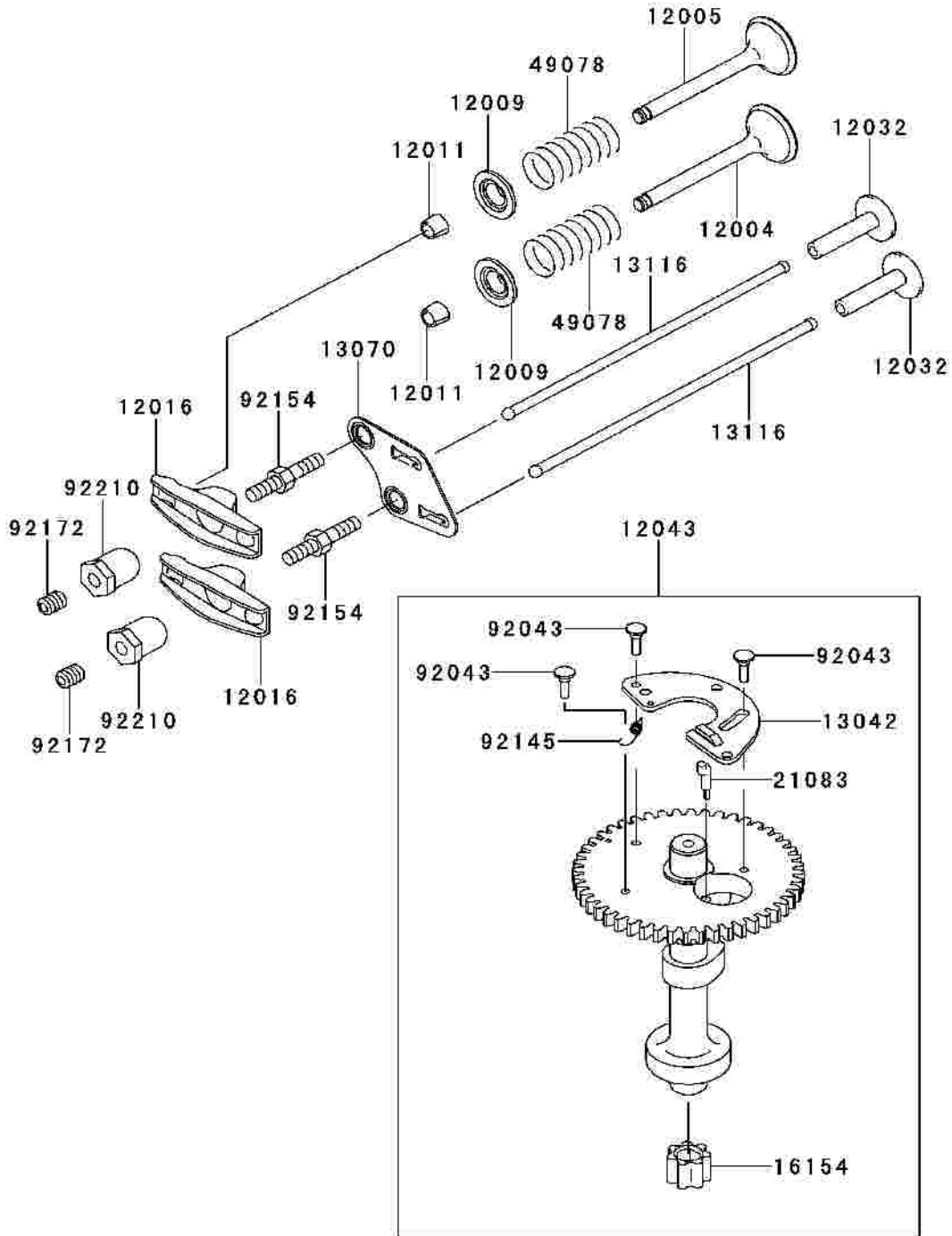
KAWASAKI FJ180V-AM14 ENGINE PARTS MANUAL

Figure B-04 PISTON/CRANKSHAFT

<u>Figure #</u>	<u>Part #</u>	<u>Description</u>	<u>Qty</u>
B-04	13001-2175	Piston-Engine	1
B-04	13002-2102	Pin-Piston	1
B-04	13003-2228	Ring-Piston Top	1
B-04	13004-2182	Ring-Piston Second	1
B-04	13005-2187	Ring-Piston Oil	1
B-04	13031-2129	Crankshaft-Comp	1
B-04	13251-2083	Rod-Assy-Connecting	1
B-04	92026-2361	Spacer,28X41.5X3.6	1
B-04	92033-2199	Ring-Snap	2
B-04	92154-2010	Bolt,6X30	2

KAWASAKI FJ180V-AM14 ENGINE PARTS MANUAL

E0130-A135Z



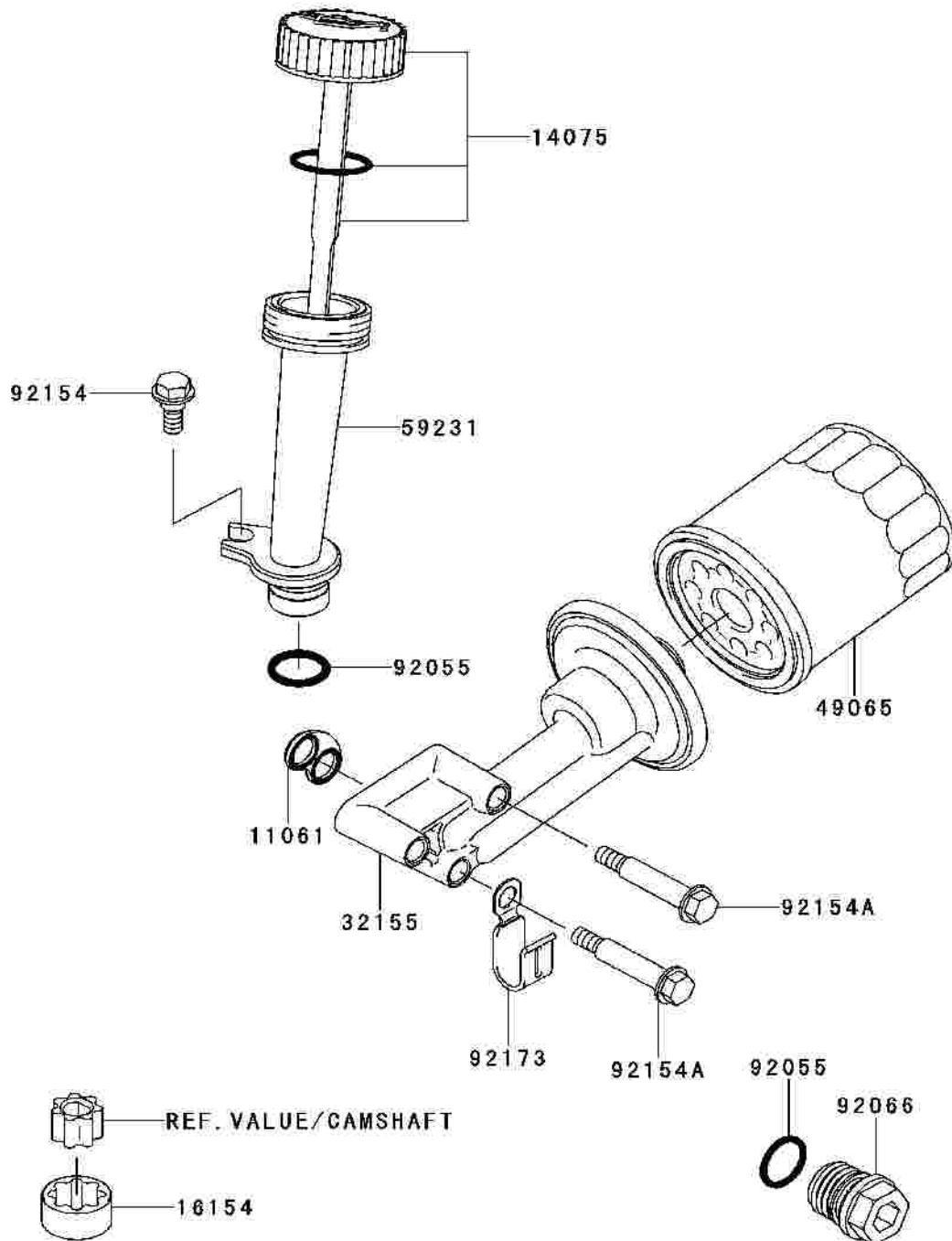
KAWASAKI FJ180V-AM14 ENGINE PARTS MANUAL

Figure B-05 VALVE/CAMSHAFT

<u>Figure #</u>	<u>Part #</u>	<u>Description</u>	<u>Qty</u>
B-05	12004-2119	Valve-Intake	1
B-05	12005-2105	Valve-Exhaust	1
B-05	12009-2072	Retainer-Valve Spring	2
B-05	12011-2056	Collet	4
B-05	12016-2067	Arm-Rocker	2
B-05	12032-2074	Tappet	2
B-05	12043-2001	Camshaft-Assy-Valve	1
B-05	13042-2121	Weight	1
B-05	13070-2118	Guide	1
B-05	13116-2076	Rod-Push	2
B-05	16154-7004	Rotor-Pump	1
B-05	21083-2088	Arm	1
B-05	49078-2089	Spring-Engine Vavle	2
B-05	92043-2262	Pin	3
B-05	92145-2179	Spring	1
B-05	92154-2009	Bolt	2
B-05	92172-2107	Screw	2
B-05	92210-2123	Nut,M6	2

KAWASAKI FJ180V-AM14 ENGINE PARTS MANUAL

E0140-A398D



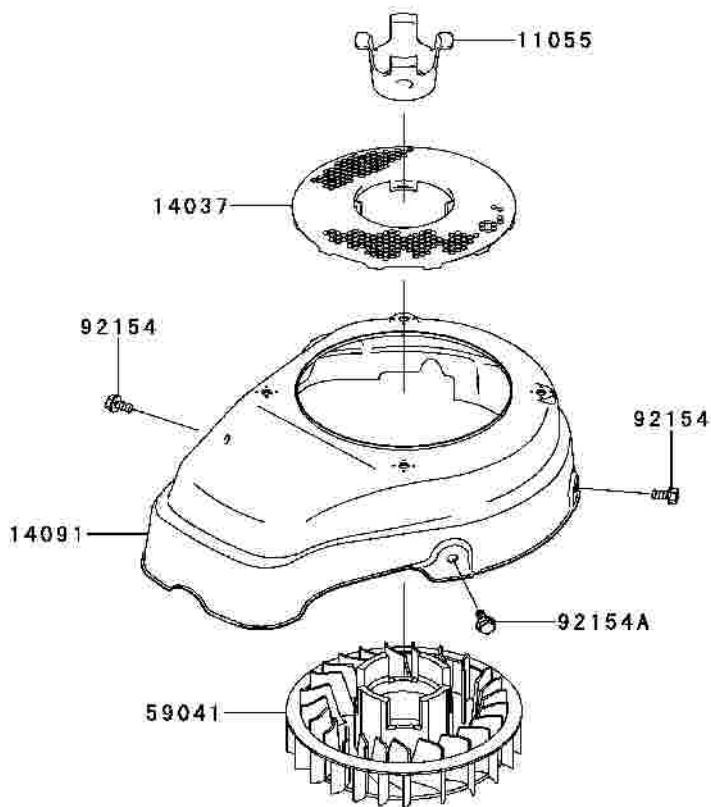
KAWASAKI FJ180V-AM14 ENGINE PARTS MANUAL

Figure B-06 LUBRICATION EQUIPMENT

<u>Figure #</u>	<u>Part #</u>	<u>Description</u>	<u>Qty</u>
B-06	11061-2222	Gasket	1
B-06	14075-2060	Cap-Assy	1
B-06	16154-7002	Rotor-Pump	1
B-06	32155-2012	Pipe	1
B-06	49065-7010	Filter-Oil	1
B-06	59231-2099	Filler	1
B-06	92055-2214	Ring-O,15.8X2.4	2
B-06	92066-2257	Plug	1
B-06	92154-2006	Bolt,M6	1
B-06	92154-2027	Bolt,6X43	3
B-06	92173-2002	Clamp	1

KAWASAKI FJ180V-AM14 ENGINE PARTS MANUAL

E0150-A799B



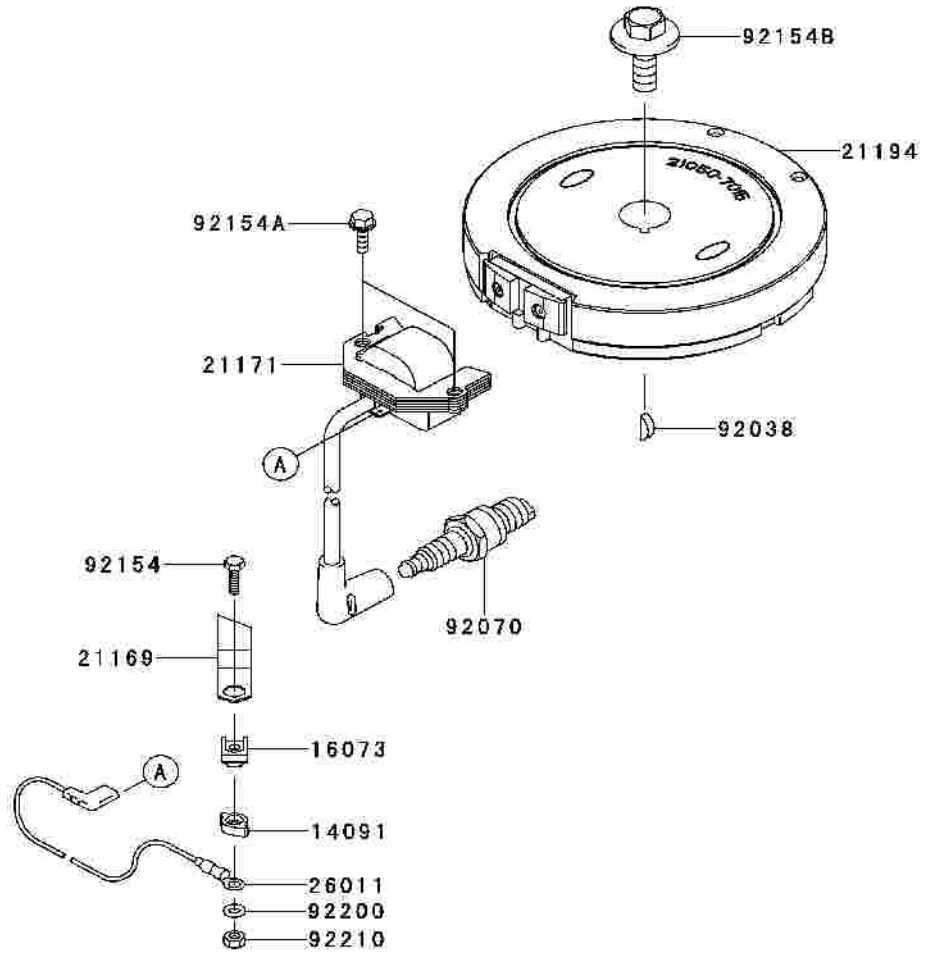
KAWASAKI FJ180V-AM14 ENGINE PARTS MANUAL

Figure B-07 COOLING EQUIPMENT

<u>Figure #</u>	<u>Part #</u>	<u>Description</u>	<u>Qty</u>
B-07	11055-2014	Bracket,Fan	1
B-07	14037-2154	Screen	1
B-07	14091-2145	Cover	1
B-07	59041-2098	Fan	1
B-07	92145-2003	Bolt,6X12	2
B-07	92145-2006	Bolt,M6	1

KAWASAKI FJ180V-AM14 ENGINE PARTS MANUAL

E0160-B181B



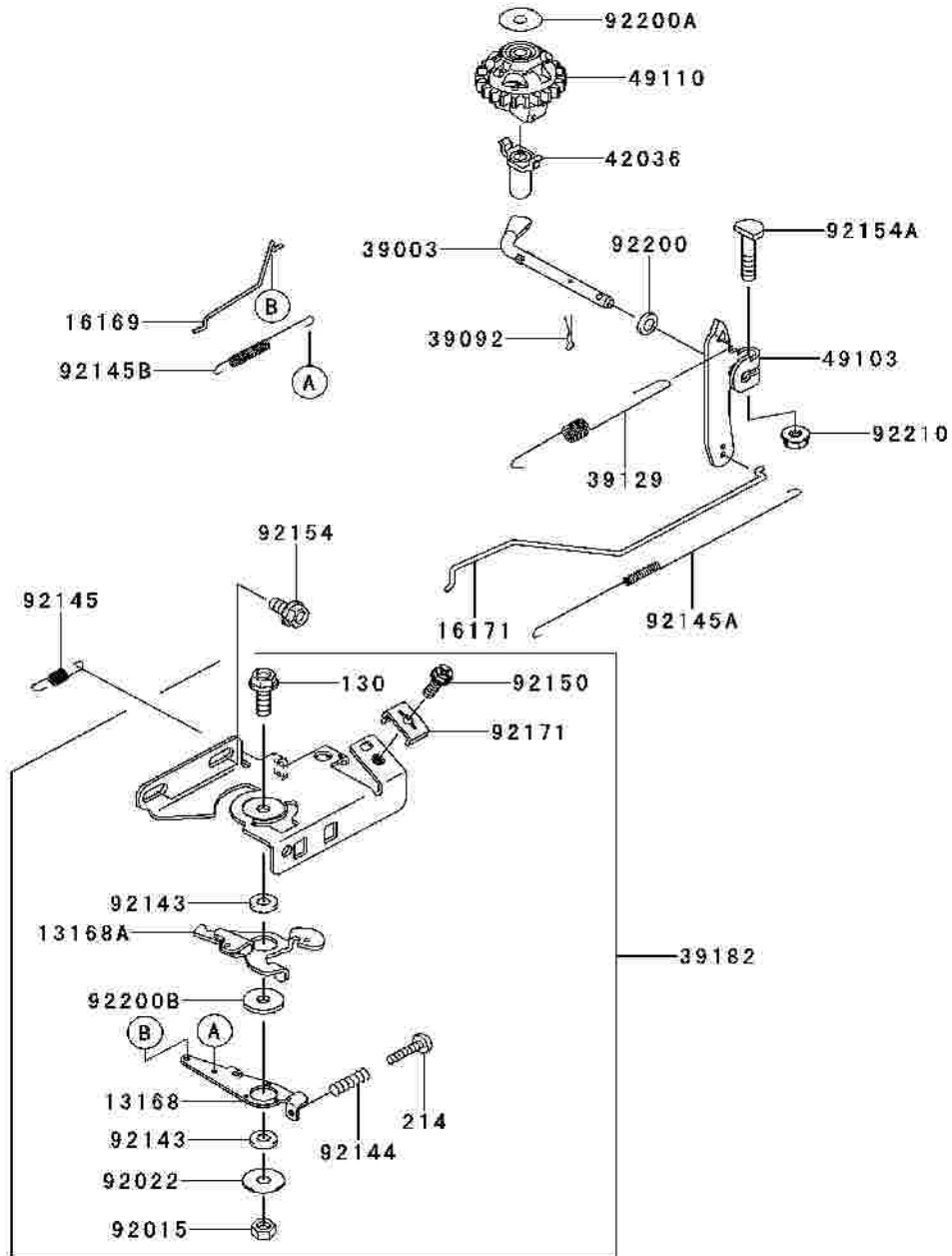
KAWASAKI FJ180V-AM14 ENGINE PARTS MANUAL

Figure B-08 ELECTRIC EQUIPMENT

<u>Figure #</u>	<u>Part #</u>	<u>Description</u>	<u>Qty</u>
B-08	14090-2141	Cover	1
B-08	16073-2241	Insulator	1
B-08	21169-2077	Terminal	1
B-08	21171-2267	Coil-Assy-Ignition	1
B-08	21194-2355	Flywheel-Comp	1
B-08	26011-2390	Wire-Lead	1
B-08	92038-2107	Key	1
B-08	92070-2119	Plug-Spark,BPR5ES(NGK)	1
B-08	92154-2014	Bolt,4X16	1
B-08	92154-2016	Bolt,6X20	2
B-08	92154-2017	Bolt,12X30	1
B-08	92200-2183	Washer,4.5X8X0.5	1
B-08	92210-2126	Nut,M4	1

KAWASAKI FJ180V-AM14 ENGINE PARTS MANUAL

E0170-A656B



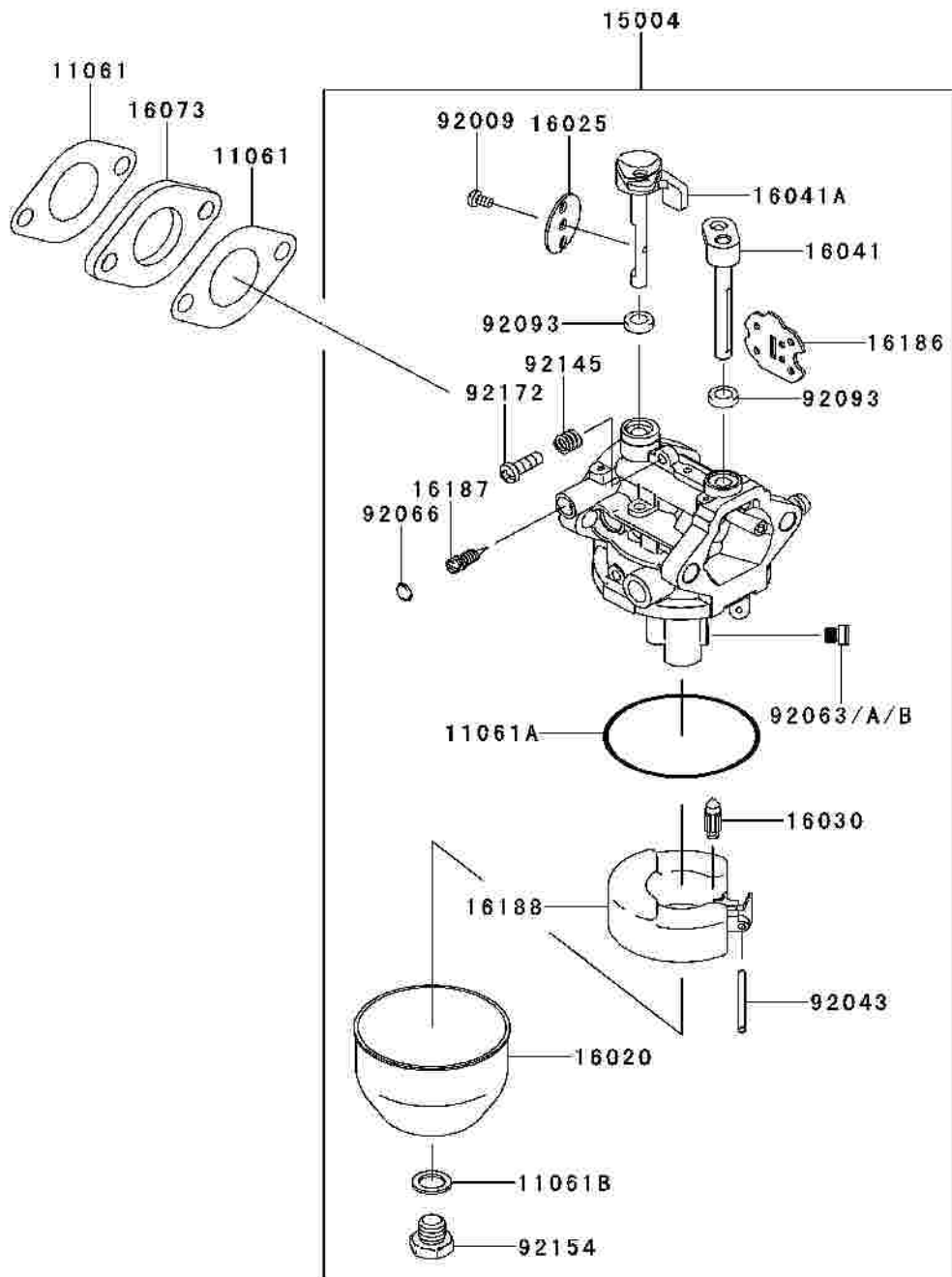
KAWASAKI FJ180V-AM14 ENGINE PARTS MANUAL

Figure B-09 CONTROL EQUIPMENT

<u>Figure #</u>	<u>Part #</u>	<u>Description</u>	<u>Qty</u>
B-09	13168-2518	Lever	1
B-09	13168-2519	Lever	1
B-09	16169-2148	Link-Choke	1
B-09	16171-2106	Link,Throttle	1
B-09	39003-2104	Arm-Pivot	1
B-09	39092-2055	Pin-Hair	1
B-09	39129-2131	Spring-Governor	1
B-09	39182-2195	Panel-Assy-Control	1
B-09	42036-2051	Sleeve	1
B-09	49103-2177	Arm-Governor	1
B-09	49110-2102	Govenor-Assy	1
B-09	92015-2051	Nut	1
B-09	92022-2372	Washer,6x19x1.2	1
B-09	92143-2135	Collar,6x13x2.3	2
B-09	92144-2266	Spring	1
B-09	92145-2180	Spring	1
B-09	92145-2182	Spring,Throttle	1
B-09	92145-2185	Spring	1
B-09	92150-2182	Bolt,5X18	1
B-09	92154-2003	Bolt,6X12	2
B-09	92154-2018	Bolt,6X28	1
B-09	92171-7016	Clamp	1
B-09	92200-2184	Washer,6.5X11.5X2	1
B-09	92200-2185	Washer,6.2X20X0.5	1
B-09	92200-7047	Washer	1
B-09	92210-2121	Nut,M6	1
B-09	130AA0618	Bolt-Flagged,6X18	1
B-09	214AA0420	Screw-Pan+-,4X20	1

KAWASAKI FJ180V-AM14 ENGINE PARTS MANUAL

E0180-A862A



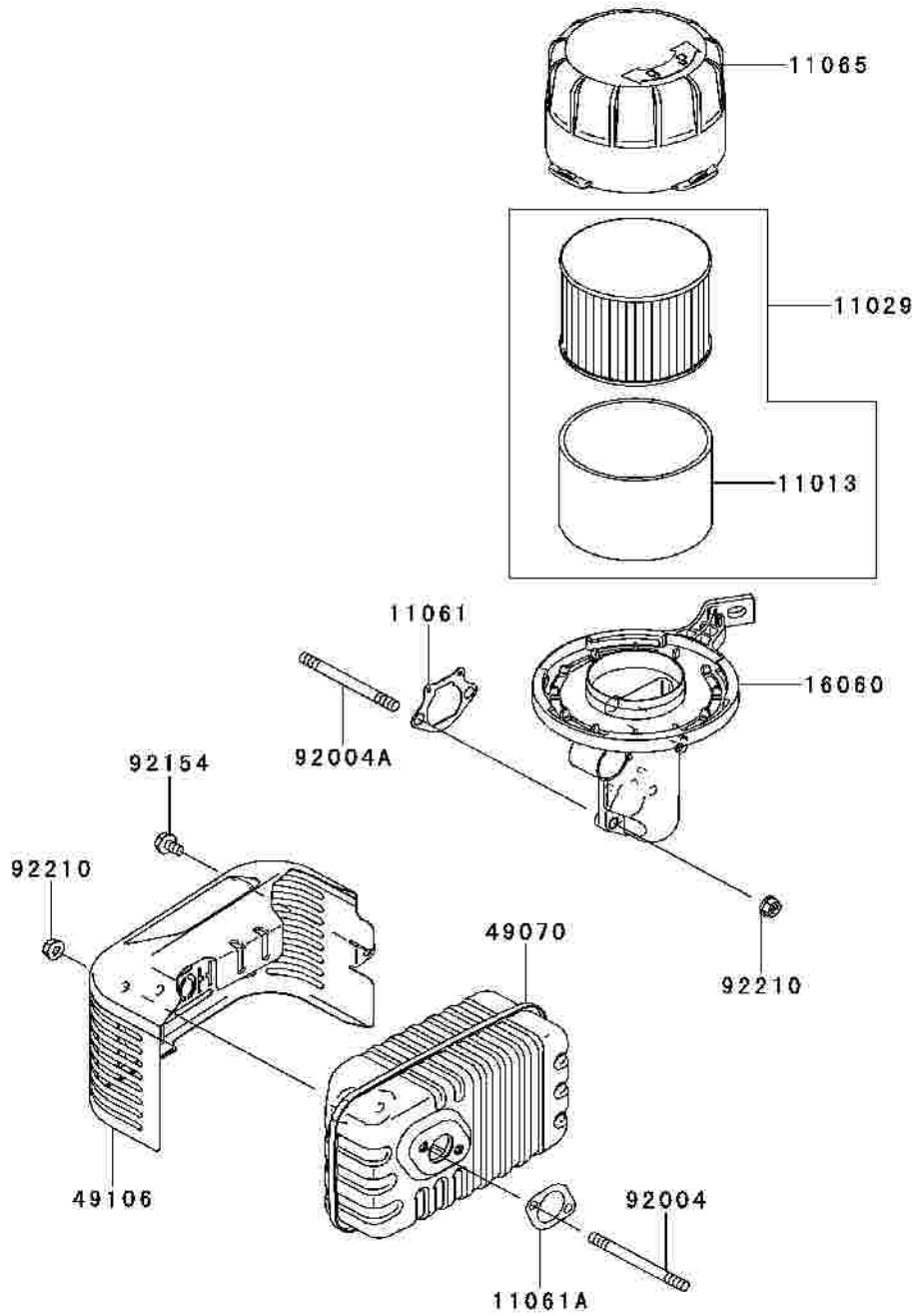
KAWASAKI FJ180V-AM14 ENGINE PARTS MANUAL

Figure B-10 CARBURETOR

<u>Figure #</u>	<u>Part #</u>	<u>Description</u>	<u>Qty</u>
B-10	11061-2215	Gasket,Insulator	2
B-10	11061-2238	Gasket	1
B-10	11061-7054	Gasket,Center Post	1
B-10	15004-2072	Carburetor-Assy	1
B-10	16020-2156	Chamber-Float	1
B-10	16025-2213	Valve-Throttle	1
B-10	16030-7004	Valve-Float	1
B-10	16041-2265	Shaft-Carburetor	1
B-10	16041-2267	Shaft-Carburetor	1
B-10	16073-2240	Insulator	1
B-10	16186-2052	Valve-Assy-Choke	1
B-10	16187-7002	Needle-Jet	1
B-10	16188-2001	Float	1
B-10	92009-2049	Screw	1
B-10	92043-2274	Pin	1
B-10	92063-2497	Jet-Main,#81	1
B-10	92063-2498	Jet-Main,#79,3280FT	AR
B-10	92063-2499	Jet-Main,#77,6560FT	AR
B-10	92066-7009	Plug,Expansion	1
B-10	92093-2135	Seal	2
B-10	92145-2202	Spring	1
B-10	92154-2049	Bolt	1
B-10	92172-2132	Screw	1

KAWASAKI FJ180V-AM14 ENGINE PARTS MANUAL

E0190-B193A



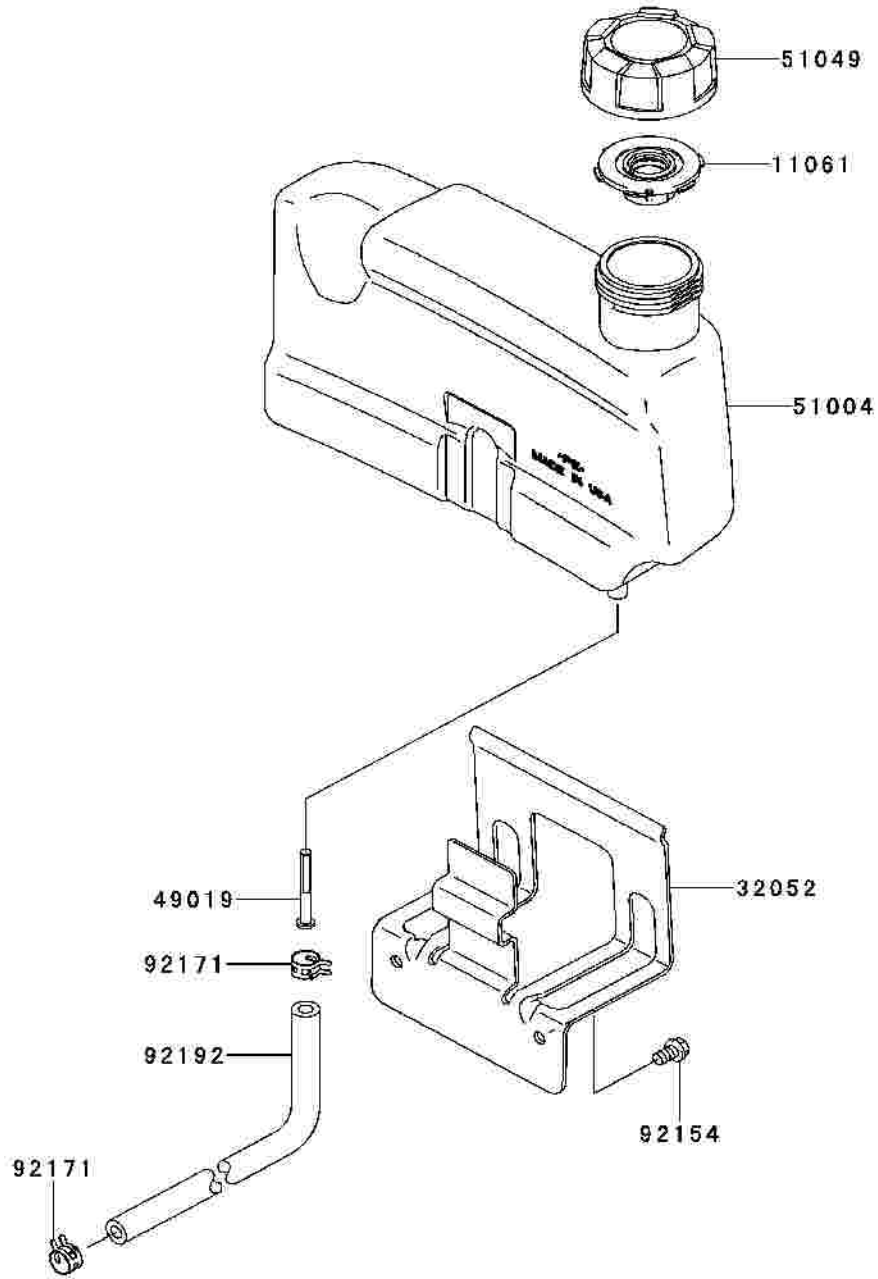
KAWASAKI FJ180V-AM14 ENGINE PARTS MANUAL

Figure B-11 AIR FILTER/MUFFLER

<u>Figure #</u>	<u>Part #</u>	<u>Description</u>	<u>Qty</u>
B-11	11013-7037	Element-Air Filter	1
B-11	11029-7023	Element-Assy-Air Filter	1
B-11	11061-2211	Gasket,Pipe Intake	1
B-11	11061-2212	Gasket,Muffler	1
B-11	11065-2135	Cap,Air Filter	1
B-11	16060-2219	Pipe,Intake	1
B-11	49070-2792	Muffler-Comp	1
B-11	49106-2676	Cover-Muffler	1
B-11	92004-2162	Stud,6X80	2
B-11	92004-2164	Stud,6X75	2
B-11	92154-2004	Bolt,6X10	1
B-11	92210-2121	Nut,M6	4

KAWASAKI FJ180V-AM14 ENGINE PARTS MANUAL

E0200-A605C



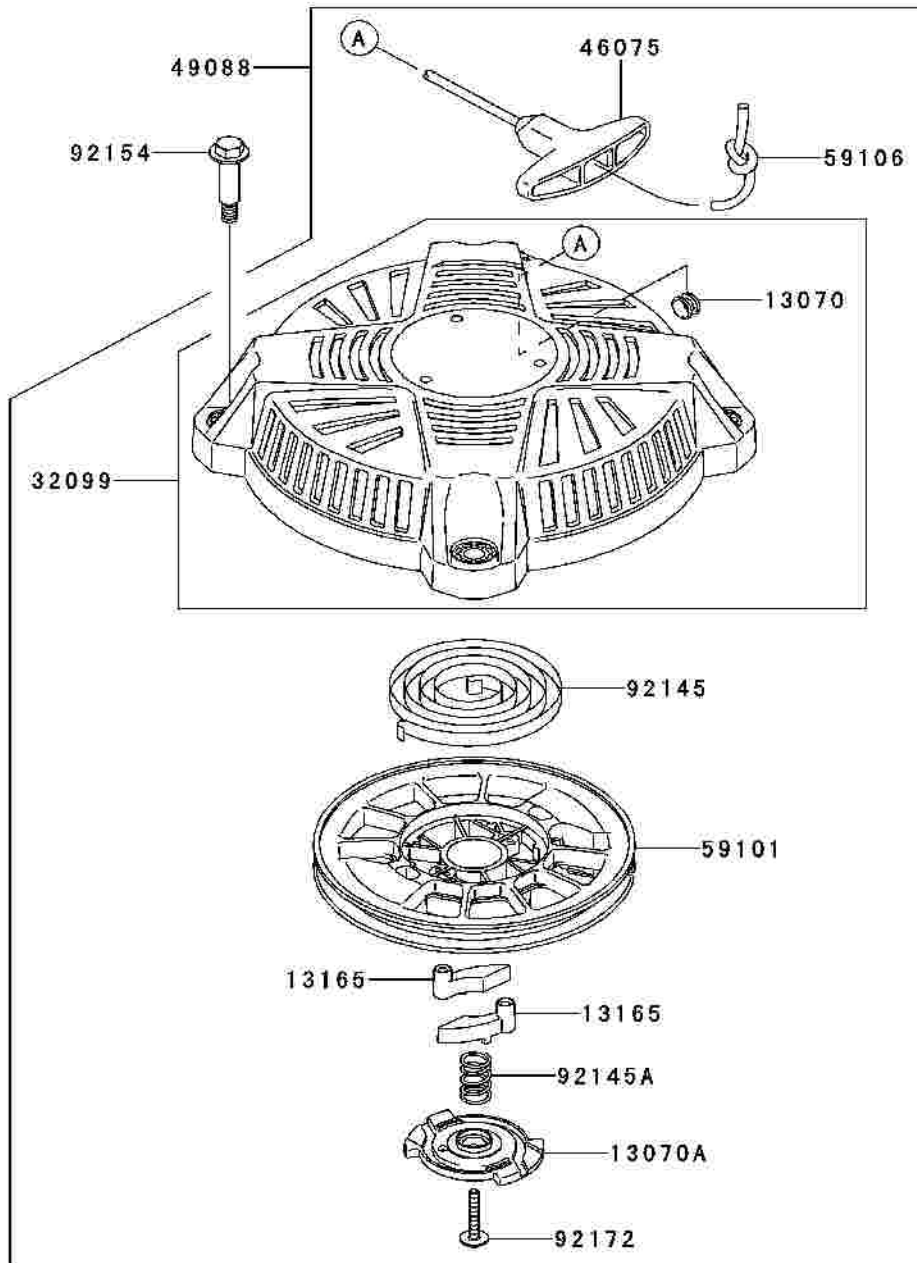
KAWASAKI FJ180V-AM14 ENGINE PARTS MANUAL

Figure C-03 FUEL TANK/FUEL VALVE

<u>Figure #</u>	<u>Part #</u>	<u>Description</u>	<u>Qty</u>
C-03	11061-2216	Gasket	1
C-03	32052-2230	Bracket-Tank	1
C-03	49019-2119	Filter-Fuel	1
C-03	51004-2117	Tank-Fuel	1
C-03	51049-2106	Cap-Tank	1
C-03	92154-2004	Bolt,6X10	2
C-03	92171-2090	Clamp	2
C-03	92192-2198	Tube,6.35X12.7X375	1

KAWASAKI FJ180V-AM14 ENGINE PARTS MANUAL

E0210-A509A



KAWASAKI FJ180V-AM14 ENGINE PARTS MANUAL

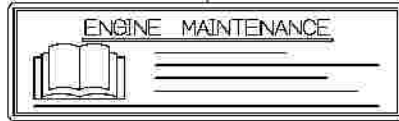
Figure C-04 STARTER

<u>Figure #</u>	<u>Part #</u>	<u>Description</u>	<u>Qty</u>
C-04	13070-2124	Guide	1
C-04	13070-2125	Guide	1
C-04	13165-2108	Pawl,Starter-Recoil	2
C-04	32099-2435	Case,Starter-Recoil	1
C-04	46075-7002	Grip, Recoil Starter	1
C-04	49088-2584	Starter-Recoil	1
C-04	59101-2128	Reel,Starter-Recoil	1
C-04	59106-2187	Rope,3.5X2200	1
C-04	92145-2200	Spring,Spiral	1
C-04	92145-2201	Spring	1
C-04	92154-2015	Bolt,M6	4
C-04	92172-2131	Screw	1

KAWASAKI FJ180V-AM14 ENGINE PARTS MANUAL

F0290-B015B

56033



56071



56080



KAWASAKI FJ180V-AM14 ENGINE PARTS MANUAL

Figure D-03 LABEL

<u>Figure #</u>	<u>Part #</u>	<u>Description</u>	<u>Qty</u>
D-04	56033-2087	Label-Manual	1
D-04	56071-2002	Label-Warning	1
D-04	56080-2473	Label-Brand	1