

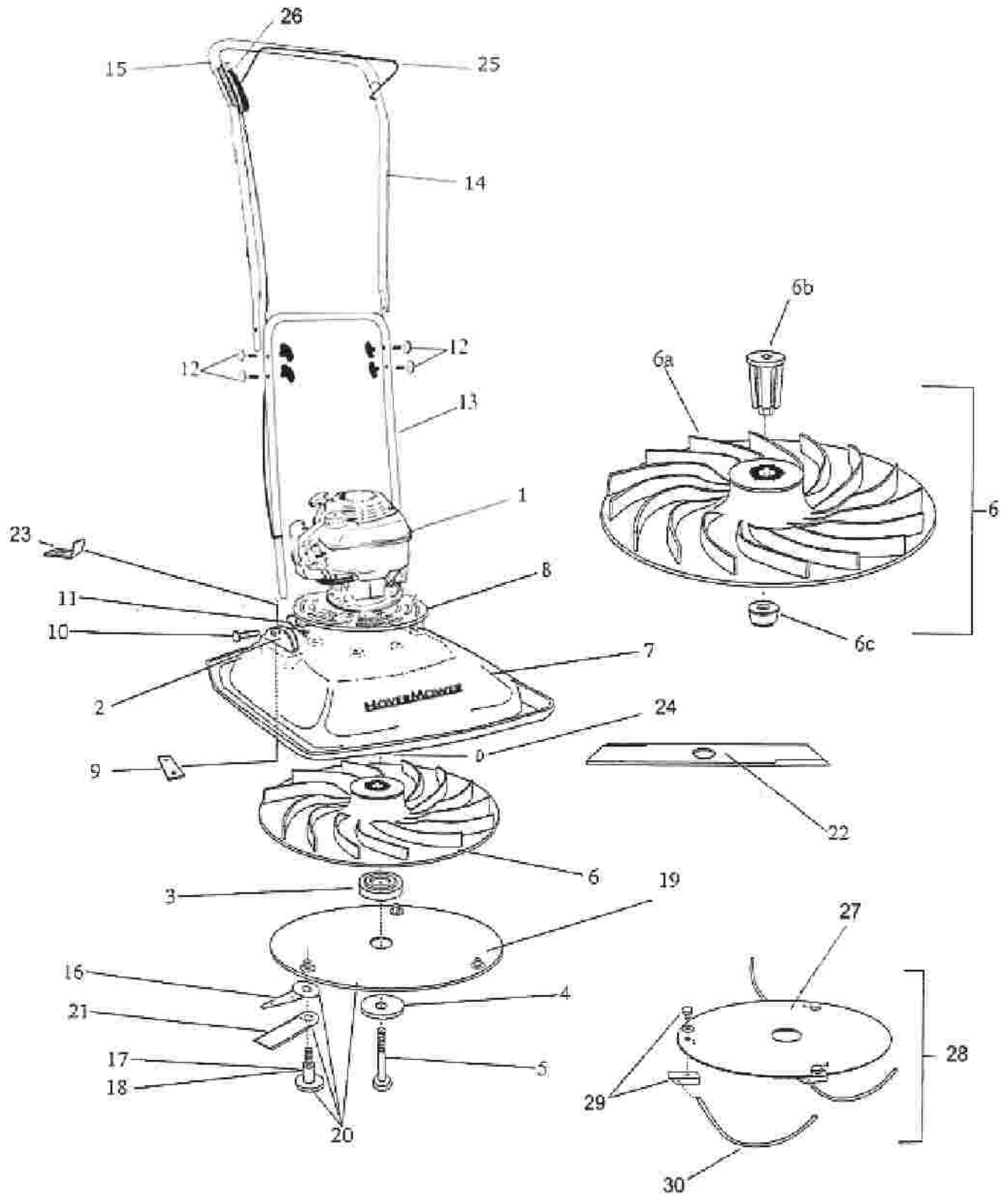
### 16" HONDA HOVER MOWER PARTS MANUAL

*Including Honda Model GXV57U Engine Parts Manual  
for Eastman Industries Hover Mower™ Model HM16H-4*



EASTMAN INDUSTRIES  
70 INGERSOLL DRIVE  
PORTLAND, ME 04103  
TEL (207) 878-5353  
TEL (800) 760-1680  
FAX (207) 878-9109  
EMAIL: [info@eastmanind.com](mailto:info@eastmanind.com)  
[www.eastmanmowers.com](http://www.eastmanmowers.com)

<u>Parts</u>	<u>Page</u>
Mower Parts	2-3
Cylinder Barrel	4
Oil Case	5
Crankcase Side Cover	6
Crankshaft	7
Piston/Connecting Rod	8
Camshaft	9
Recoil Starter	10
Fan Cover	11
Carburetor	12
Air Cleaner	13
Muffler	14
Fuel Tank	15
Flywheel/Ignition Coil	16
Control	17
Label/Tool	18



## PARTS LIST FOR MODEL HM 16H4

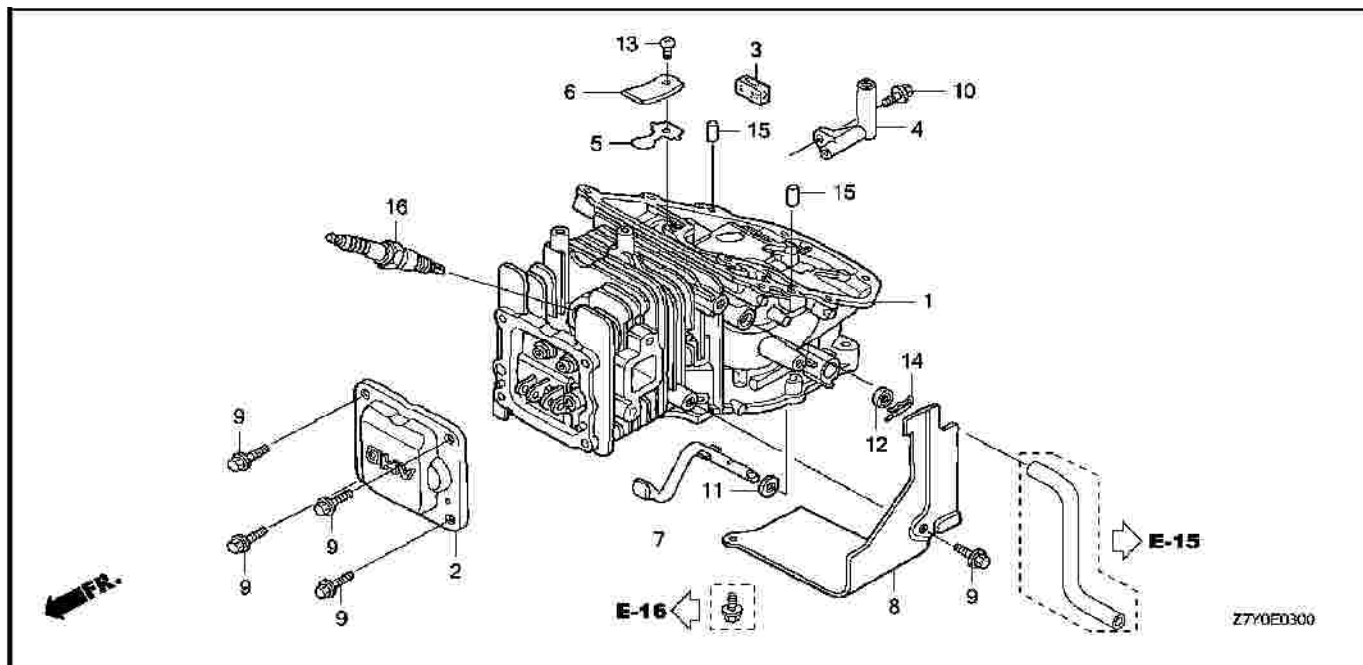
<u>Scm #</u>	<u>Part #</u>	<u>Description</u>
1	HM16GXV57	Honda 2 HP 4 Cycle Engine
2	HM1550	Handle Bracket
3	HM16R-1556A	Height Adjustment Spacer 1/2"
3	HM16R-1556B	Height Adjustment Spacer 1/4"
4	HM16R-21557	Impeller Flat Washer
5	HM16H-225581	Impeller Retaining Bolt 2 1/2"
5	HM16R-225582	Impeller Retaining Bolt 3"
5	HM16R-225583	Impeller Retaining Bolt 3 1/2"
6	HM16H-22560N	Impeller Assembly - 12"
6A	HM16R-225572	Impeller Molded Fin - 12"
6B	HM16H-225570	Impeller Hub
6C	HM16R-225571	Impeller Hub Cap
7	HM16R-22562	Deck with Logos and Decals
8	HM16R-22565N	Engine Mount
9	HM22569	Handle Mounting Plate
10	HM22573	Clevis Pin
11	HM2257	Hair Pin Cotter Key
12	HM22583	Handle Knob W/Hardware
13	HM+B1611549	Lower Handle
14	HM16R-22585N	Upper Handle (With Grip)
15	HM1582	Handle Grip
16	HM1601-12	Nylon Blades ( Pkg of 12)
17	HM1602-3	Shoulder Bolts for Nylon Blades (Pkg of 3)
18	HM1603-3	Shoulder Bolts for Stainless Steel Blades (Pkg of 3)
19	HM16R-22603	Cutter Disc
20	HM16R-22606N	Cutter Disc with Nylon Blades & Bolts
20	HM16R-22606S	Cutter Disc with Stainless Steel Blades & Bolts
21	HM1605-3	Reversible Stainless Steel Blades (Pkg of 3)
22	HM16R-1607	Bar Blade (Not Available In The U.S.)
23	HM1551N	Handle Stop
24	HM16H-2176	Key
25	HM16R-2172	Bail Arm
26	HM16R-2173	Starter Switch w/ Wiring Harness (Reg Handle)
27	HM16R-22613	Cutter Disc for Nylon Strings
28	HM16R-22613T	Cutter Disc Assy. with Nylon Strings & Fasteners
29	HM1600	String Attachment Fastener (Pkg of 3)
30	HM1615-1	.130" Magnum Gatorline - 1 lb. Donut
30	HM1615-3	.130" Magnum Gatorline - 3 lb. Donut

### ACCESSORIES

HM16R-225584	Impeller "Pull" Bolt
HM16R-21563	4" Lift Kit
HM16R-2172C	Bail Arm Upgrade Kit
HM16R-21590	12" Handle Extension Kit (Long Handle, Starter Switch W/Long Harness)
HM16R-2173L	Starter Switch With Long Wiring Harness
HM1549L	Lower Handle Long

## HONDA GXV57U ENGINE PARTS MANUAL

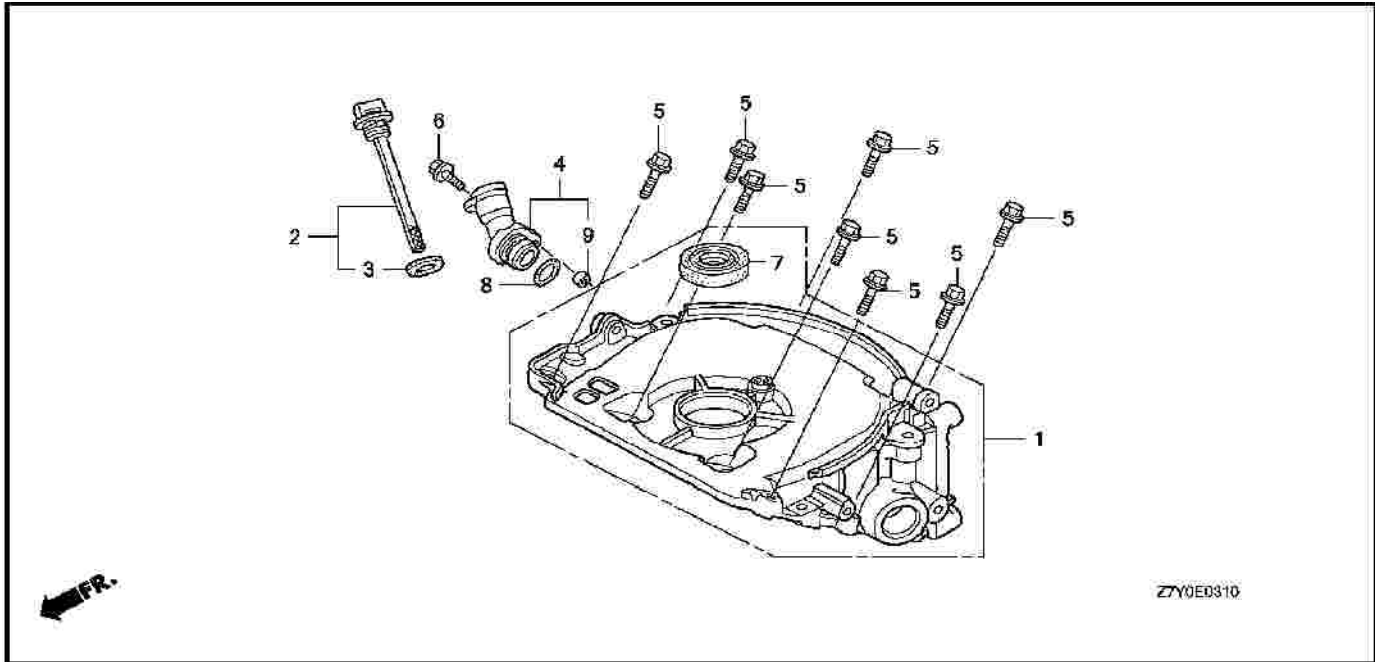
**Figure 1 Cylinder Barrel**



<u>Fig</u>	<u>Scm #</u>	<u>Part #</u>	<u>Description</u>	<u>Qty</u>
1	1	12100-ZM7-417	BARREL COMP, CYLINDER	1
1	2	12311-ZM7-010	COVER, HEAD	1
1	3	12367-ZE6-010	FILTER, BREATHER	1
1	4	15171-ZN4-000	PIPE, BREATHER	1
1	5	15571-ZM7-003	VALVE, OIL OUTLET	1
1	6	15572-ZMT-000	PLATE, STOPPER	1
1	7	16541-ZM7-000	SHAFT, GOVERNOR ARM	1
1	8	19631-ZM7-000	SHROUD	1
1	9	90003-892-000	BOLT, FLANGE, 5X12	5
1	10	90008-ZM7-000	BOLT, 4X10	1
1	11	90443-ZC3-000	WASHER, 5.C9	1
1	12	91231-ZC3-003	OIL SEAL, 5X11X5	1
1	13	93500-03005-0A	SCREW, PAN, 3x5	1
1	14	94251-060000	PIN, LOCK (6MM)	1
1	15	96220-60150	ROLLER, 6X15	2

## HONDA GXV57U ENGINE PARTS MANUAL

**Figure 2 Oil Case**

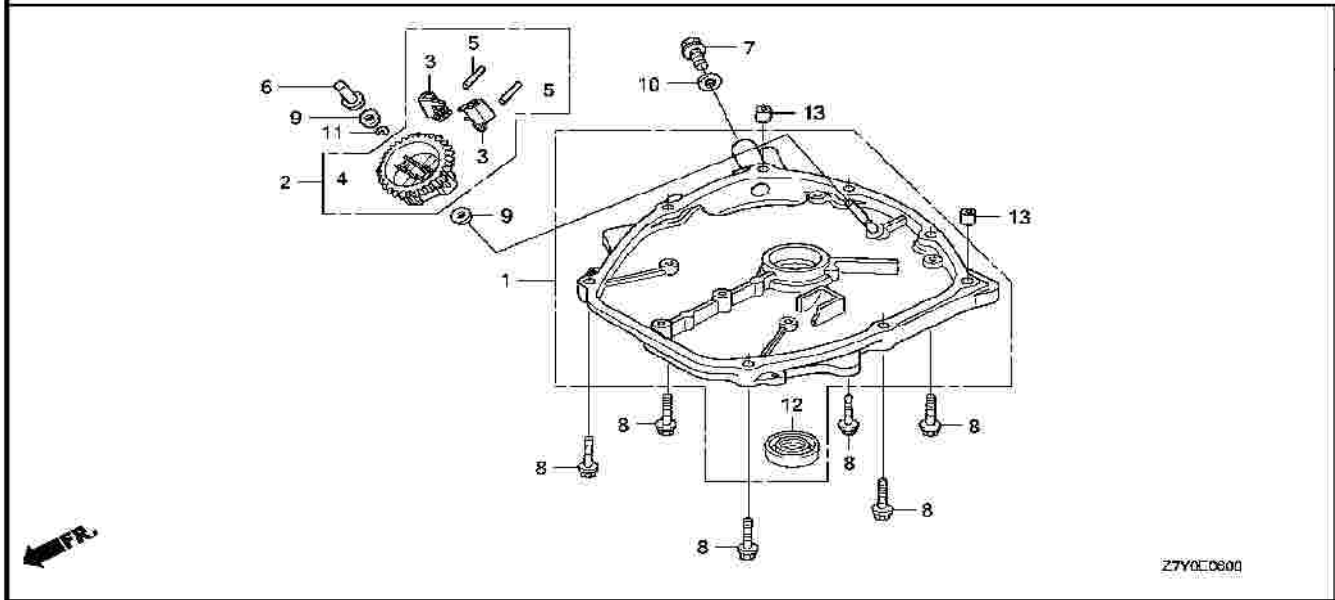


<u>Fig</u>	<u>Scm #</u>	<u>Part #</u>	<u>Description</u>	<u>Qty</u>
2	1	11300-ZN4-405	CASE ASSY, OIL	1
2	2	15600-ZN4-003	CAP ASSY, OIL FILLER	1
2	3	15625-ZE1-003	PACKING, OIL FILLER CAP	1
2	4	15631-ZN4-000	EXTENSION, OIL FILLER	1
2	5	90006-ZM7-000	BOLT, FLANGE, 5X23	8
2	6	90012-896-750	BOLT, FLANGE, 5X14	1
2	7	91202-HC5-003	OIL SEAL, I7X27X5C	1
2	8	91331-PC9-003	O-RING, 2L2X24	1
2	9	91502-ZM3-000	COLLAR, TOP COVER	1



## HONDA GXV57U ENGINE PARTS MANUAL

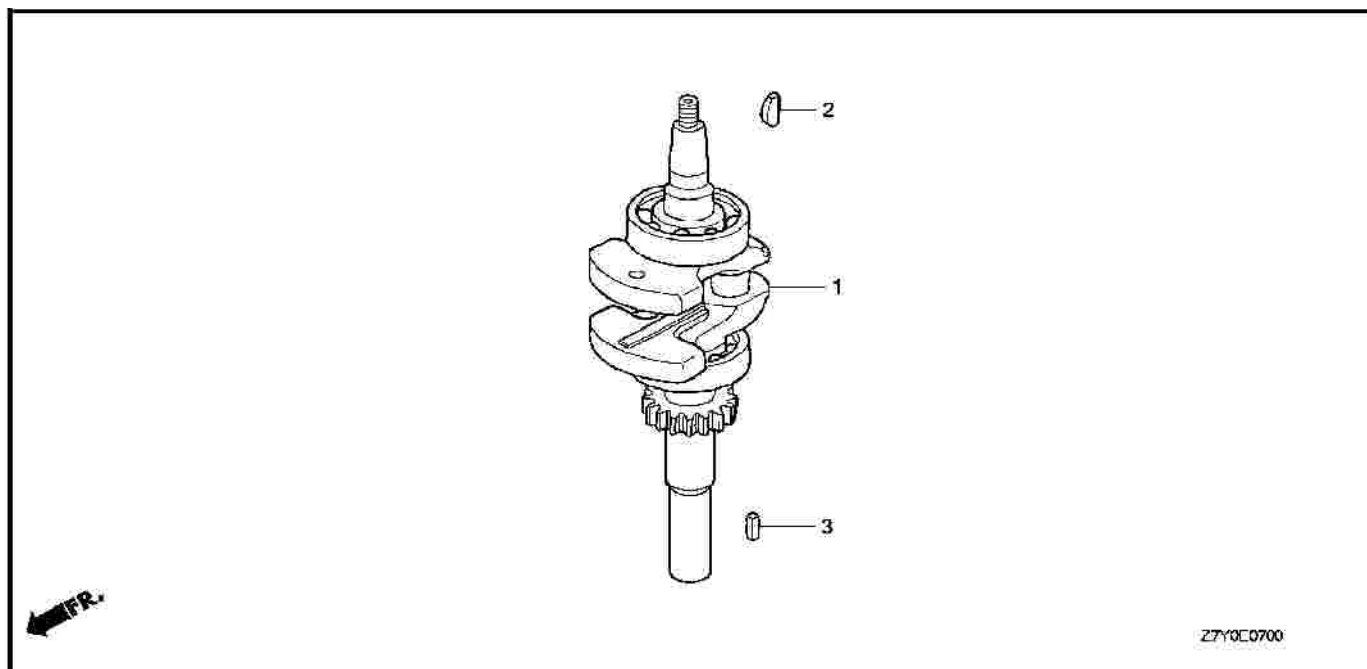
**Figure 3 Crankcase Side Cover**



<u>Fig</u>	<u>Scm #</u>	<u>Part #</u>	<u>Description</u>	<u>Qty</u>
3	1	11340-Z7Y-000	COVER COMP, CRANKCASE SIDE	1
3	2	16510-ZM7-000	GOVERNOR ASSY	1
3	3	16511-ZMT-000	WEIGHT, GOVERNOR	2
3	4	16512-ZM7-000	HOLDER, GOVERNOR WEIGHT	1
3	5	16513-ZE1-000	PIN, GOVERNOR WEIGHT	2
3	6	16531-ZM7-000	SLIDER, GOVERNOR	1
3	7	90002-ZN4-A50	BOLT, PLUG DRAIN, 12MM	1
3	8	90006-ZM7-000	BOLT, FLANGE, 5X23	6
3	9	90441-ZMT-000	WASHER, 4.C13	2
3	10	90601-VE5-000	WASHER, DRAIN PLUG, 12MM	1
3	11	90602-ZM7-000	CLIP, GOVERNOR HOLDER	1
3	12	91202-G64-692	OIL SEAL, 18.9X28X5	1
3	13	94301-06100	DOWEL PIN, 6X10	2

## HONDA GXV57U ENGINE PARTS MANUAL

**Figure 4 Crankshaft**

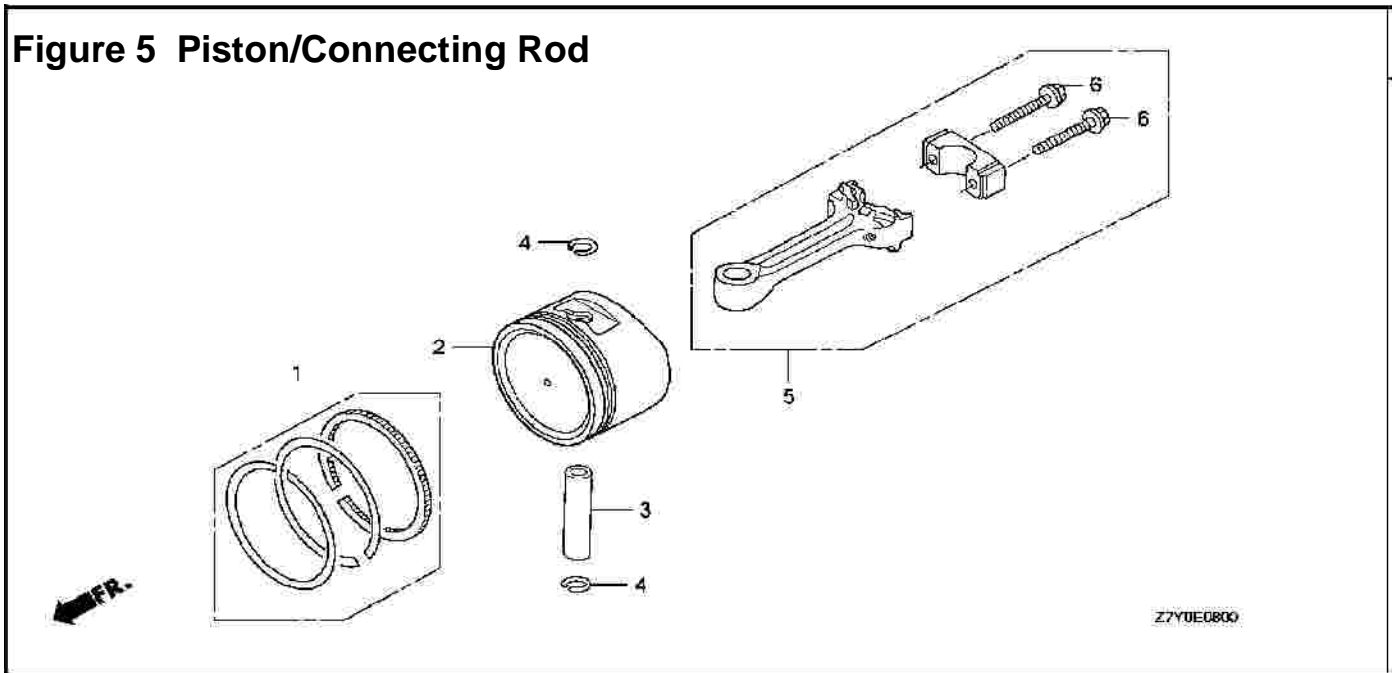


<u>Fig</u>	<u>Scm #</u>	<u>Part #</u>	<u>Description</u>	<u>Qty</u>
4	1	13310-Z7Y-000	CRANKSHAFT COMP	1
4	2	13331-ZM7-000	KEY, SPECIAL	1
4	3	90741-959-000	KEY, 5MM	1



## HONDA GXV57U ENGINE PARTS MANUAL

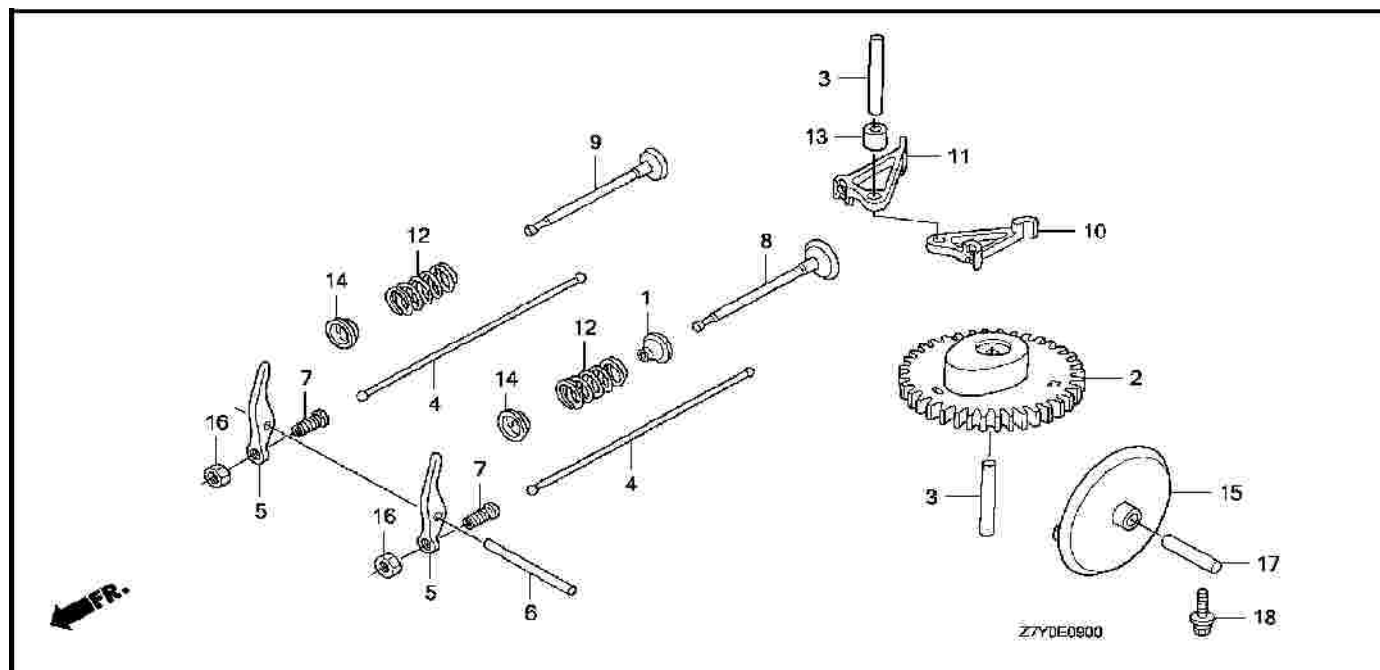
**Figure 5 Piston/Connecting Rod**



<u>Fig</u>	<u>Scm #</u>	<u>Part #</u>	<u>Description</u>	<u>Qty</u>
5	1	13010-ZM6-000	RING SET, PISTON (STD.)	1
5	2	13101-ZW6-010	PISTON	1
5	3	13111-GK8-000	PIN, PISTON, 10X33	1
5	4	13115-147-000	CLIP, PISTON PIN, 10MM	2
5	5	13200-ZN4-000	ROD ASSY, CONNECTING	1
5	6	90001-ZM7-000	BOLT, CONNECTING ROD	2

## HONDA GXV57U ENGINE PARTS MANUAL

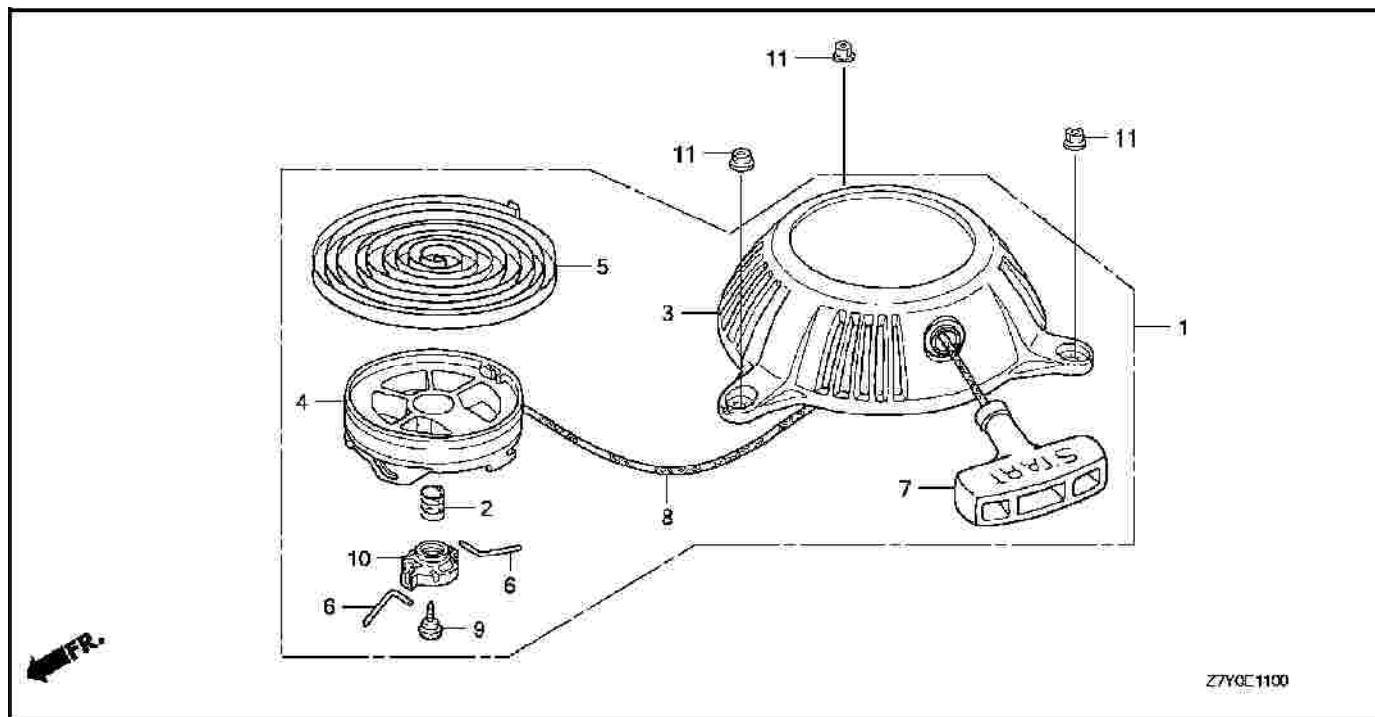
**Figure 6 Camshaft**



<u>Fig</u>	<u>Scm #</u>	<u>Part #</u>	<u>Description</u>	<u>Qty</u>
6	1	12209-ZM7-003	SEAL, VALVE STEM	1
6	2	14100-Z0G-000	CAMSHAFT ASSY	1
6	3	14126-Z0G-003	ROLLER (5X29.S)	2
6	4	14410-ZM7-000	ROD, PUSH	2
6	5	14431-ZM7-000	ARM, VALVE ROCKER	2
6	6	14435-ZM7-003	ROLLER (4X37.8)	1
6	7	14451-ZM7-000	PIVOT, ROCR ARM	2
6	8	14711-ZM7-000	VALVE, IN	1
6	9	14721-ZM7-000	VALVE, DC	1
6	10	14731 -ZM7-013	LIFTER, VALVE	1
6	11	14732-ZDG-003	LIFTER, EX. VALVE	1
6	12	14751-ZM7-000	SPRING, VALVE	2
6	13	14754-ZM7-000	COLLAR, LIFTER	1
6	14	14771-ZM3-010	RETAINER, VALVE SPRING	2
6	15	15361-Z0G-000	SLINGER, OIL	1
6	16	90206-KM3-000	NUT, TAPPET ADJUSTING	2
6	17	91151-VB5-S00	ROLLER, 6X25	1
6	18	93404-05016-058	SOLT-WASHER, 5X16	1

## HONDA GXV57U ENGINE PARTS MANUAL

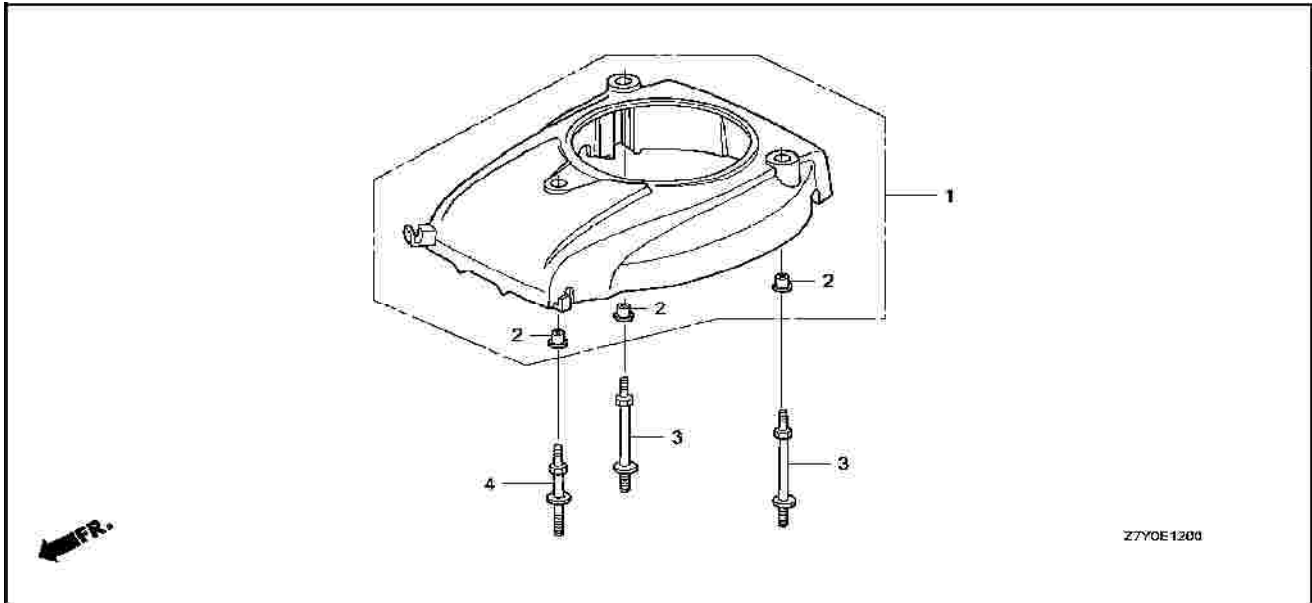
**Figure 7 Recoil Starter**



<u>Fig</u>	<u>Scm #</u>	<u>Part #</u>	<u>Description</u>	<u>Qty</u>
7	1	28400-ZM7-V31	STARTER ASSY, RECOIL	1
7	2	28404-968-004	SPRING, FRICTION	1
7	3	28410-ZN7-V31	CASE COMP, STARTER	1
7	4	28421-ZM7-003	REEL, RECOIL STARTER	1
7	5	28442-ZL8-003	SPRING, RECOIL STARTER	1
7	6	28459-ZMT-003	ARM, SWING	2
7	7	28461-ZH8-003	GRIP, STARTER	1
7	8	28462-Z0G-003	ROPE, RECOIL STARTER	1
7	9	90012-ZM3-003	SCREW, SETTING	1
7	10	91504-ZM7-003	COLLAR	1
7	11	94050-05000	NUT, FLANGE, 5MM	3

## HONDA GXV57U ENGINE PARTS MANUAL

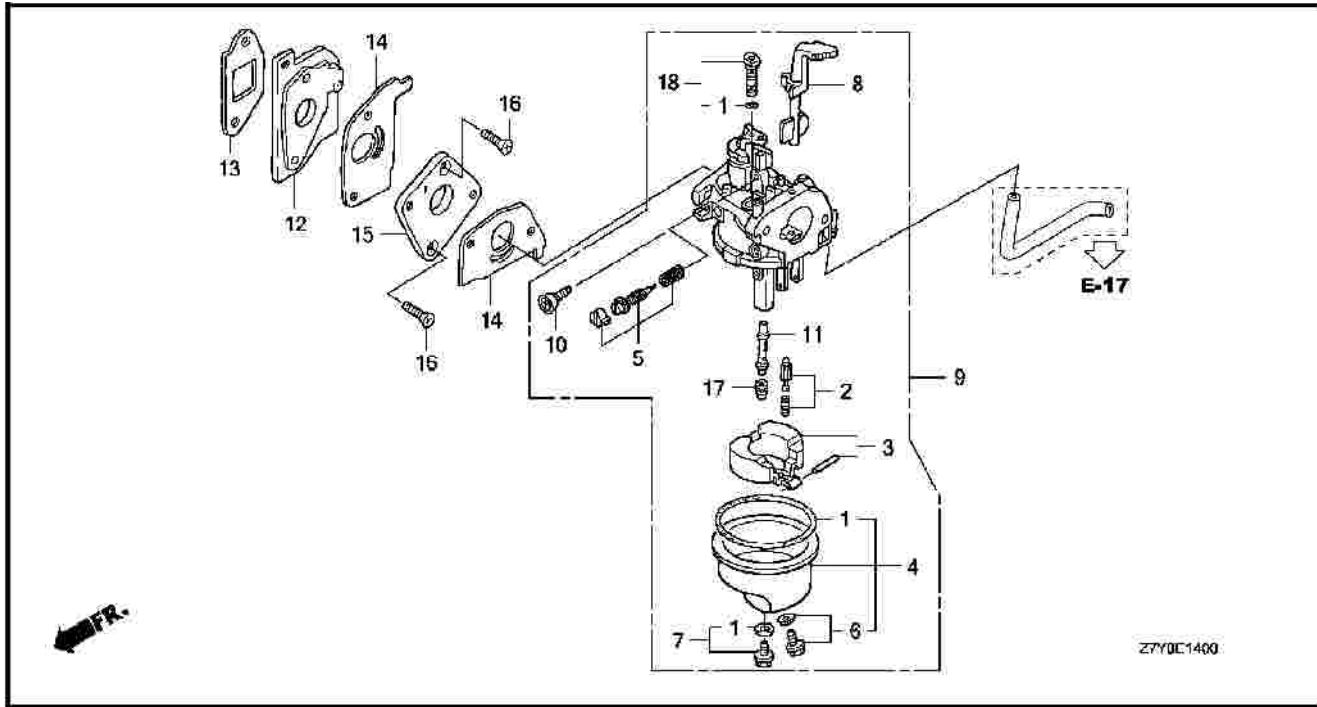
**Figure 8 Fan Cover**



<u>Fig</u>	<u>Scm #</u>	<u>Part #</u>	<u>Description</u>	<u>Qty</u>
8	1	19610-ZM7-000ZD	COVER COMP, FAN (BLACK)	1
8	2	19619-2M7-300	COLLAR, FAN COVER	3
8	3	90042-2M7-000	BOLT, STUD (A)	2
8	4	90043-ZM7-000	BOLT, STUD (B)	1

# HONDA GXV57U ENGINE PARTS MANUAL

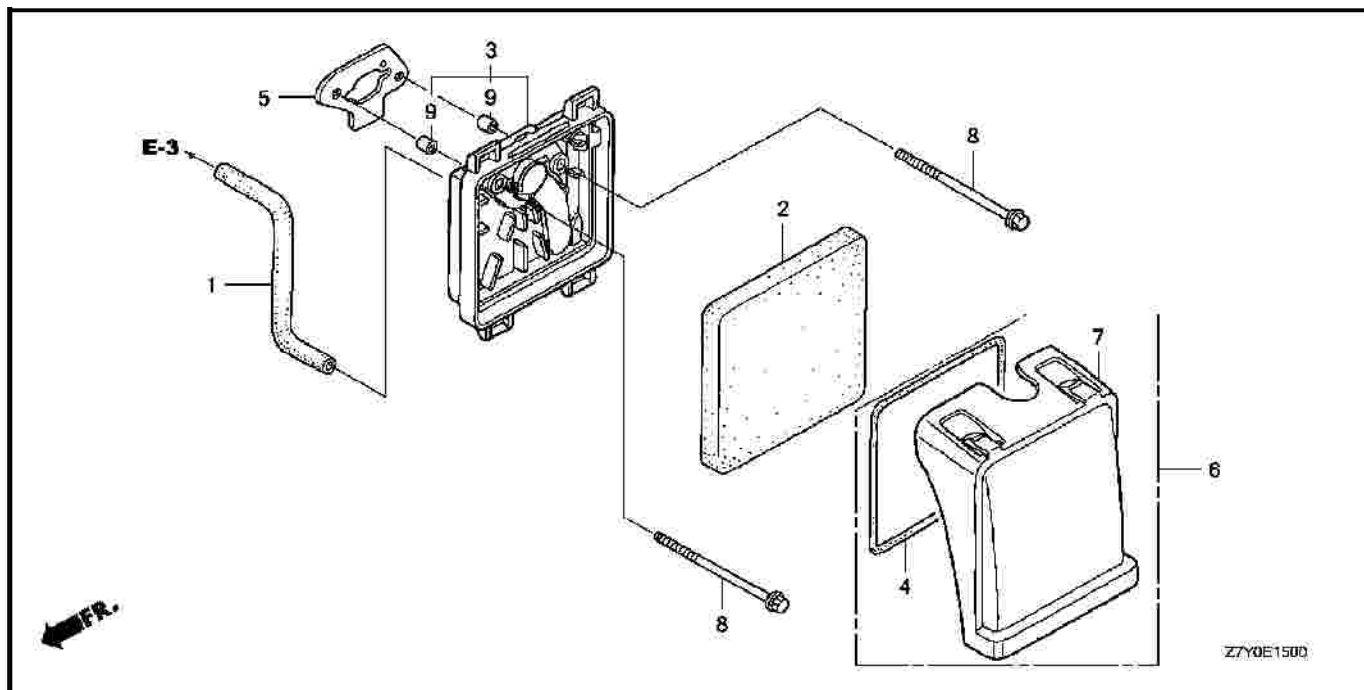
## Figure 9 Carburetor



<u>Fig</u>	<u>Scm #</u>	<u>Part #</u>	<u>Description</u>	<u>Qty</u>
9	1	16010-ZG2-D10	GASKET SET	1
9	2	16011-ZE0-005	VALVE SET, FLOAT	1
9	3	16013-ZG0-811	FLOAT SET	1
9	4	16015-ZG0-811	CHAMBER SET, FLOAT	1
9	5	16016-ZH7-W01	SCREW SET, PILOT	1
9	6	16024-ZE1-811	SCREW SET, DRAIN	1
9	7	16028-ZG0-811	SCREW SET	1
9	8	16044-ZM7-003	CHOKE SET	1
9	9	16100-Z7Y-003	CARBURETOR ASSY. (BF31K A)	1
9	10	16124-ZE0-005	SCREW, THROTTLE STOP	1
9	11	16166-ZN4-801	NOZZLE, MAIN	1
9	12	16211-ZN4-000	INSULATOR, CARBURETOR	1
9	13	16212-ZM7-000	PACKING, INSULATOR	1
9	14	16221-ZG0-801	PACKING, CARBURETOR	2
9	15	16225-ZN4-000	PLATE, CARBURETOR JOINT	1
9	16	93600-05020-0A	SCREW, FLAT, 5X20	2
9	17	99101-ZG0-0480	JET, MAIN, #48	1
9	18	99204-ZE2-0350	JET SET, PILOT, #35	1

## HONDA GXV57U ENGINE PARTS MANUAL

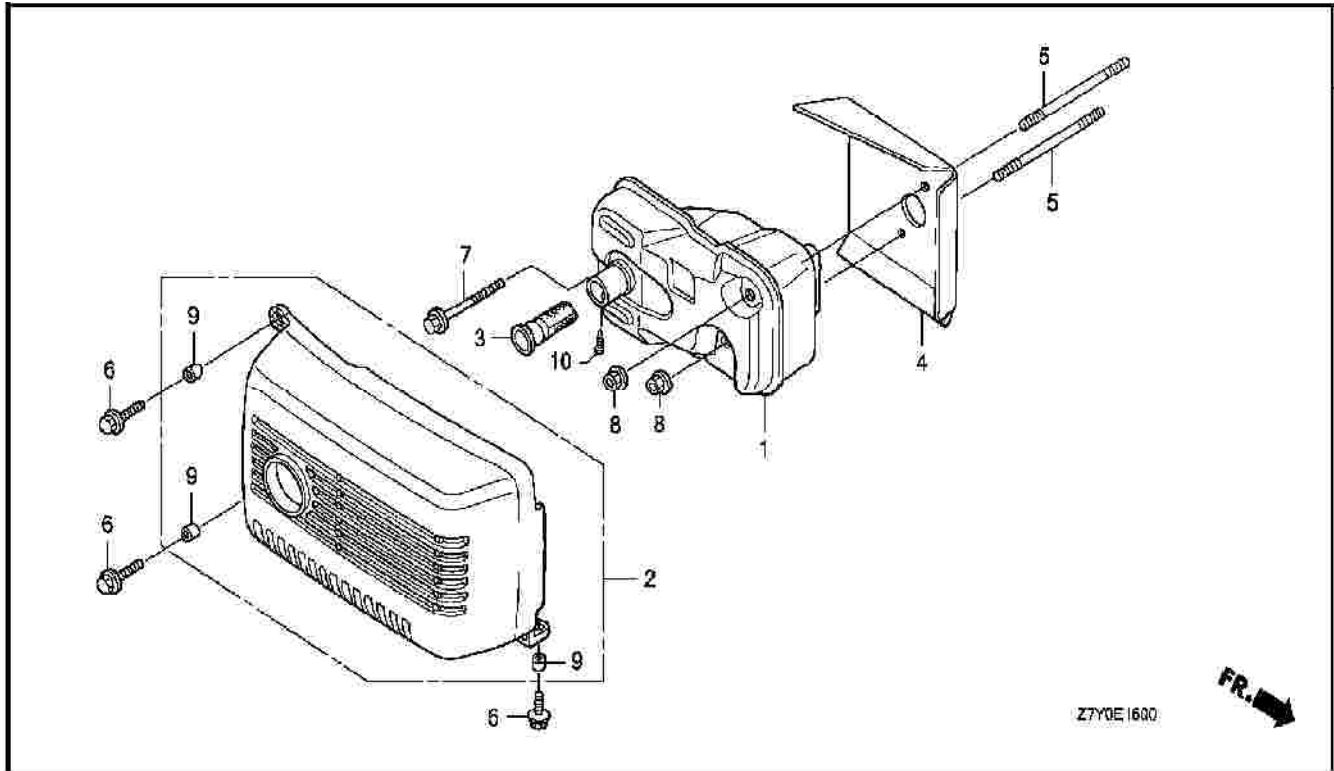
**Figure 10 Air Cleaner**



<u>Fig</u>	<u>Scm #</u>	<u>Part #</u>	<u>Description</u>	<u>Qty</u>
10	1	15721-ZN4-000	TUBE, BREATHER	1
10	2	17211-ZM7-000	ELEMENT, AIR CLEANER	1
10	3	17220-ZM7-000	CASE COMP, AIR CLEANER	1
10	4	17227-ZM7-000	SEAL, AIR CLEANER	1
10	5	17228-ZM7-000	GASKET, AIR CLEANER	1
10	6	17230-ZM7-010	COVER COMP, AIR CLEANER (SUBS FROM -000)	1
10	7	17231-ZM7-000	COVER, AIR CLEANER	1
10	8	90004-ZN4-000	BOLT, FLANGE, 5X65	2
10	9	91503-ZM7-000	COLLAR, AIR CLEANER	2

## HONDA GXV57U ENGINE PARTS MANUAL

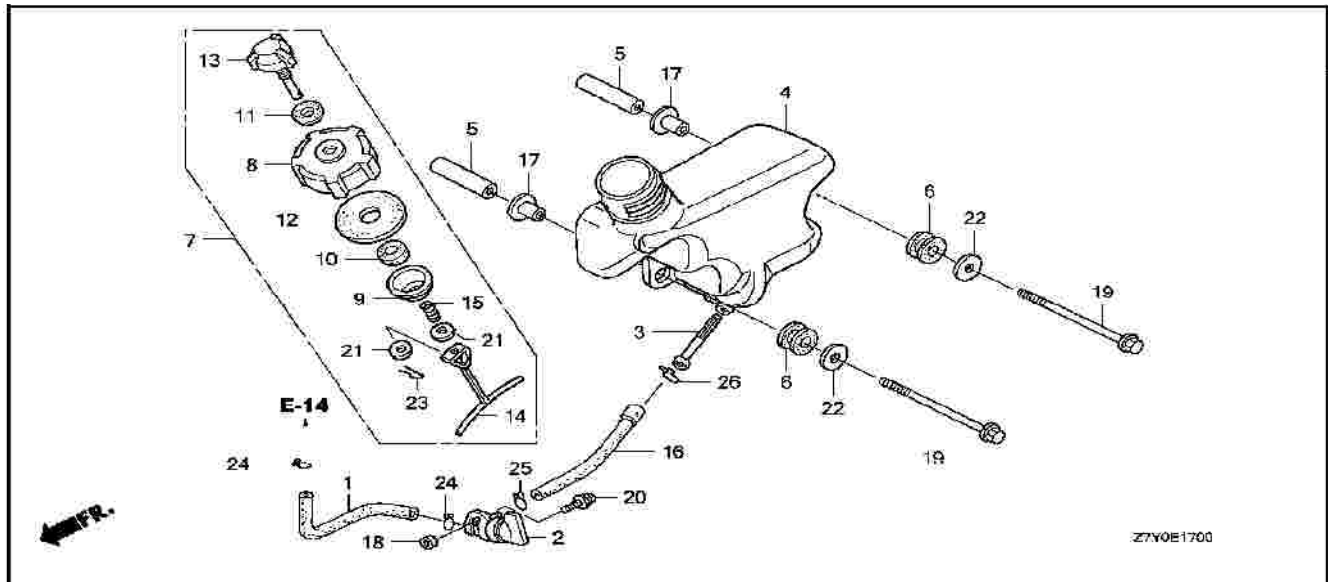
**Figure 11 Muffler**



<u>Fig</u>	<u>Scm #</u>	<u>Part #</u>	<u>Description</u>	<u>Qty</u>
11	1	18310-ZM7-003	MUFFLER COMP	1
11	2	18320-ZM7-000	PROTECTOR COMP, MUFFLER	1
11	3	18350-ZM7-801	ARRESTER COMP, SPARK	1
11	4	18515-ZM7-000	GUIDE, AIR	1
11	5	90002-ZM7-000	BOLT, STUD, 5X55	2
11	6	90012-892-000	BOLT, FLANGE, 5X16	3
11	7	90103-P4V-010	BOLT, FLANGE, 5X35	1
11	8	90136-SM4-901	NUT, SELF-LOCK, 5MM	2
11	9	91502-ZM3-000	COLLAR, TOP COVER	3
11	10	93903-24110	SCREW, TAPPING, 4X8	1

# HONDA GXV57U ENGINE PARTS MANUAL

**Figure 12 Fuel Tank**

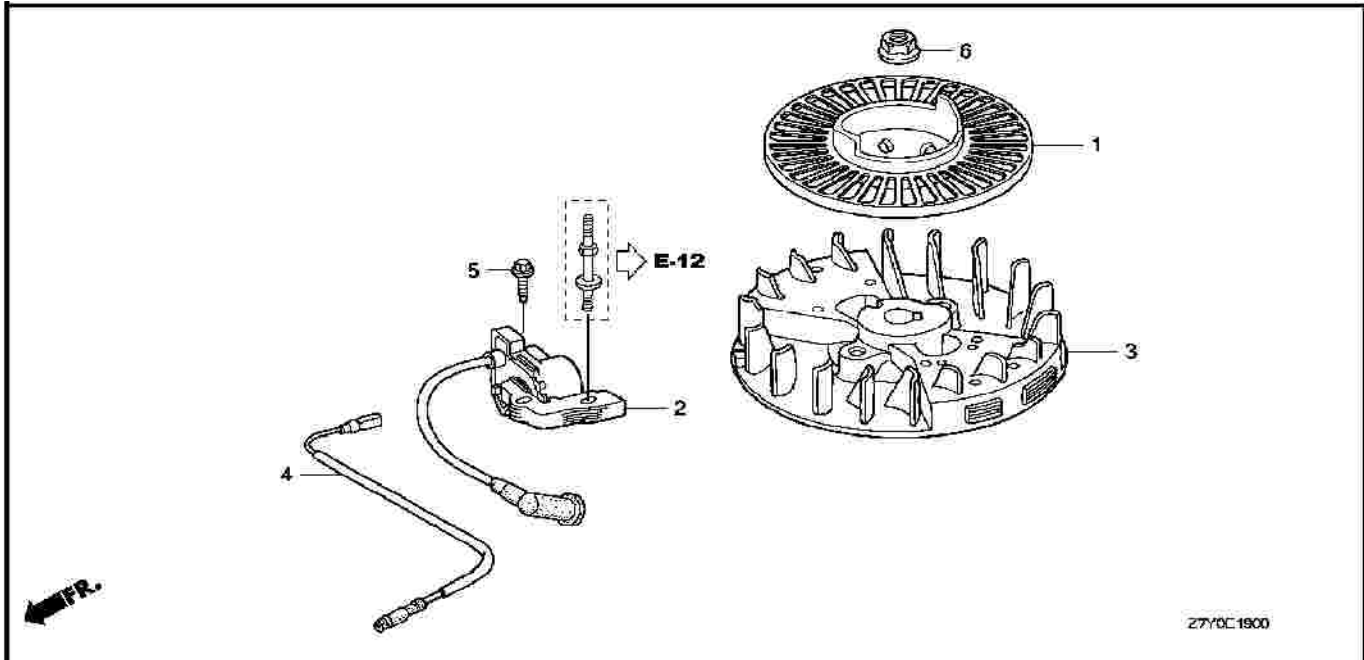


<u>Fig</u>	<u>Scm #</u>	<u>Part #</u>	<u>Description</u>	<u>Qty</u>
12	1	16861-ZN4-800	TUBE B, FUEL	1
12	2	16950-ZM0-003	COCK ASSY, FUEL	1
12	3	16952-ZE6-000	STRAINER, FUEL	1
12	4	17511-Z4D-000	TANK, FUEL	1
12	5	17517-ZN4-000	COLLAR, TANK SETTING	2
12	6	17532-ZM7-000	RUBBER A, TANK MOUNTING	2
12	7	17620-ZV0-020	CAP ASSY, FUEL TANK	1
12	8	17621-ZV0-020	BODY, FUEL CAP	1
12	9	17622-ZV0-000	INNER, FUEL CAP	1
12	10	17623-ZV0-000	SPONGE, FUEL CAP BREATHER	1
12	11	17624-ZV0-000	PACKING, VALVE	1
12	12	17625-ZV0-000	PACKING, FUEL CAP	1
12	13	17626-ZV0-010	VALVE COMP, BREATHER	1
12	14	17628-ZV0-000	LINK, FUEL CAP 1	1
12	15	17629-ZV0-000	SPPJNG, FUEL CAP	1
12	16	17701-ZN4-800	TUBE, FUEL TANK	1
12	17	19052-NB4-880	COLLAR, CANISTER MOUNTING	2
12	18	33609-GK4-620	COLLAR, FR. WINKER	1
12	19	90015-ZG0-801	BOLT, FLANGE, 6X65	2
12	20	93891-05010-08	SCREW-WASHER, 5X10	1
12	21	94101-04200	WASHER, PLAIN, 4MM	2
12	22	94103-06800	WASHER, PLAIN, 6MM	2
12	23	94251-04000	PIN, LOCK, 4MM	1
12	24	95002-02080	CLIP, TUBE (B8)	2
12	25	95002-02100	CLIP, TUBE (B10)	1
12	26	95002-02130	CLIP, TUBE (B12.5)	1



## HONDA GXV57U ENGINE PARTS MANUAL

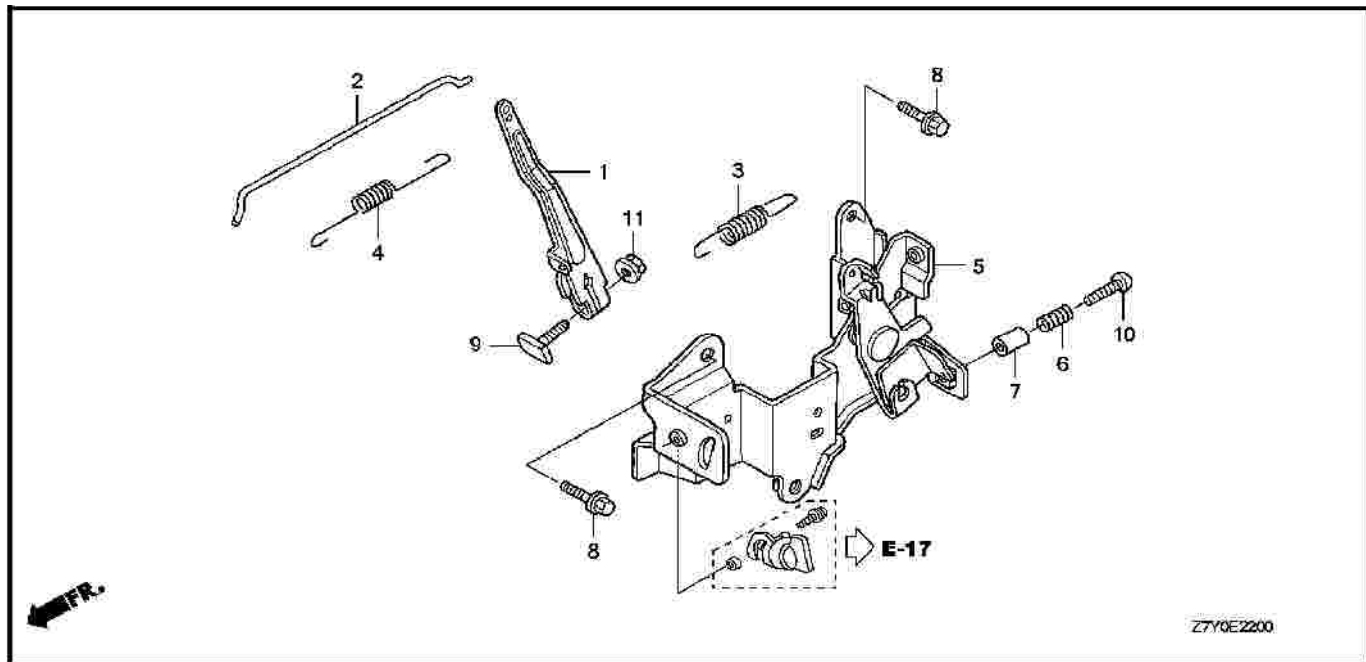
**Figure 13 Fly Wheel/Ignition Coil**



<u>Fig</u>	<u>Scm #</u>	<u>Part #</u>	<u>Description</u>	<u>Qty</u>
13	1	28450-Z7Y-003	PULLEY COMP, STARTER	1
13	2	30500-ZM7-004	COIL ASSY, IGNITION	1
13	3	31110-ZM7-004	FLYWHEEL COMP	1
13	4	32195-ZN4-000	CORD, STOP SWITCH	1
13	5	90004-ZC3-000	BOLT, FLANGE, 5X20	1
13	6	94050-10000	NUT, FLANGE, 10MM	1

# HONDA GXV57U ENGINE PARTS MANUAL

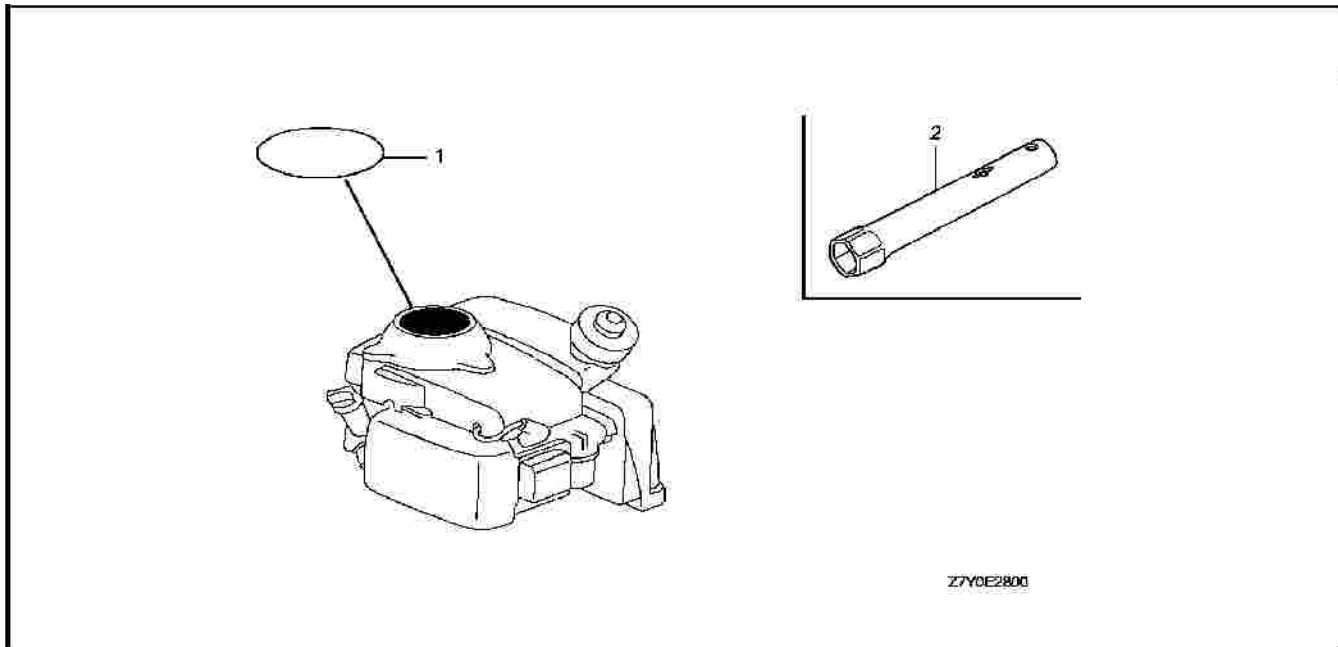
**Figure 14 Control**



<u>Fig</u>	<u>Scm #</u>	<u>Part #</u>	<u>Description</u>	<u>Qty</u>
14	1	16551-ZN4-000	ARM, GOVERNOR	1
14	2	16555-ZN4-000	ROD, GOVERNOR	1
14	3	16561-ZN4-000	SPRING, GOVERNOR	1
14	4	16562-ZN4-800	SPRING, THROTTLE RETURN	1
14	5	16580-Z7Y-000	BASE COMP, CONTROL	1
14	6	16584-883-300	SPRING, CONTROL ADJUSTING .	1
14	7	16599-ZG1-M10	COLLAR, STOPPER	1
14	8	90003-892-000	BOLT, FLANGE, 5X12	2
14	9	90015-ZES-010	BOLT, GOVERNOR ARM	1
14	10	90016-ZE7-W00	SCREW, RECESSED, 5X28	1
14	11	94050-06000	NUT, FLANGE, 6MM	1

# HONDA GXV57U ENGINE PARTS MANUAL

**Figure 15 Label/Tool**



<u>Fig</u>	<u>Scm #</u>	<u>Part #</u>	<u>Description</u>	<u>Qty</u>
15	1	87521-Z7Y-000	EMBLEM	1
15	2	89216-130-690	WRENCH, SPARK PLUG	1