

Eastman | Ingersoll

Eastman Commercial

Mower Discontinued - Parts Only

WM 20H COMMERCIAL MOWER PARTS MANUAL

*Including Honda GXV140 Engine Parts
for Eastman Industries Walk Behind Model WM 20H*

Table of Contents

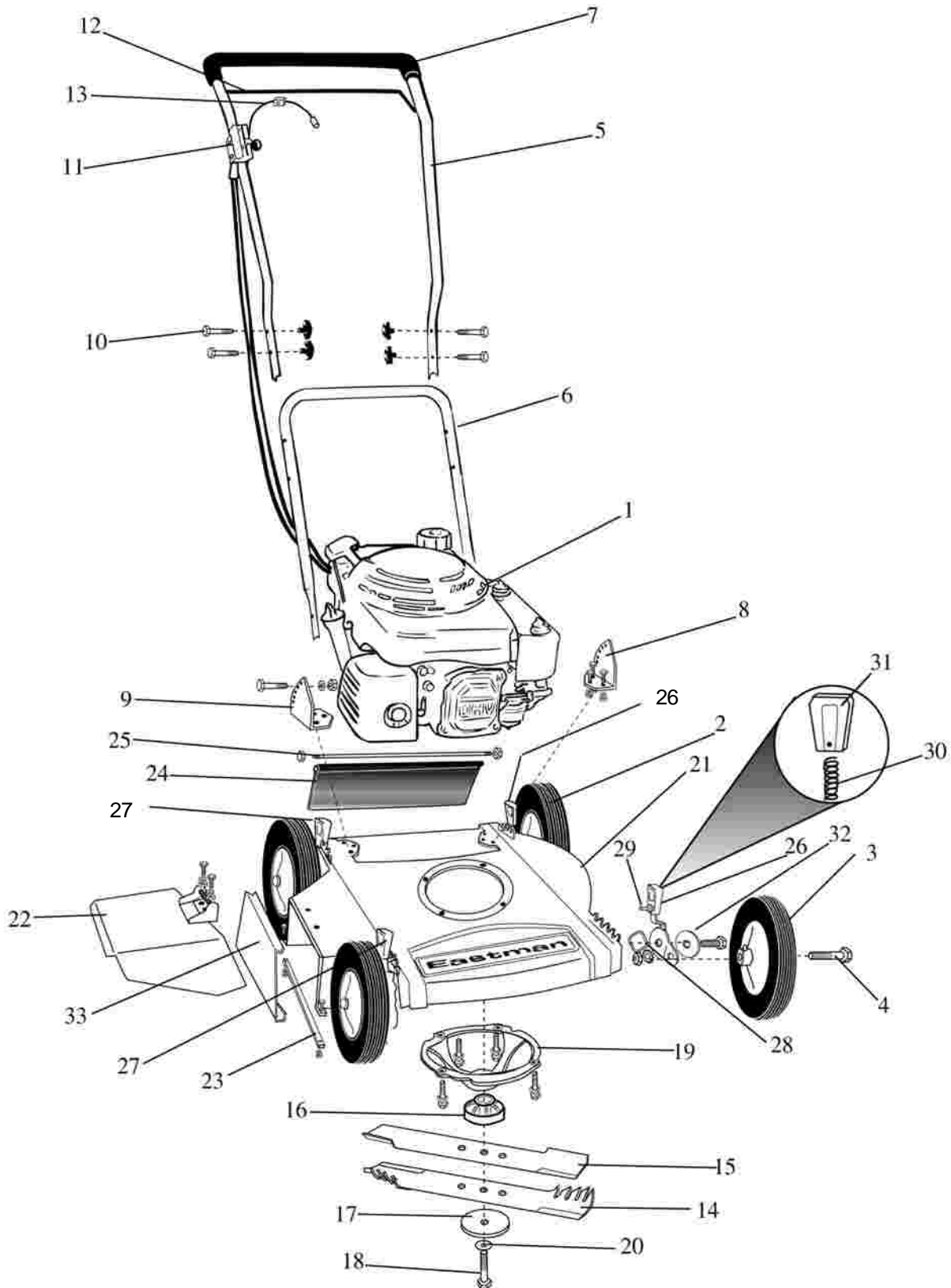
<u>Parts</u>	<u>Page</u>
Mower Parts	2 - 3
Cylinder Head	4
Cylinder Barrel	5 -6
Crankshaft	7
Piston	8
Camshaft	9
Recoil Starter	10
Fan Cover/Fuel	11
Carburetor	12 -13
Air Cleaner	14
Muffler	15
Flywheel	16
Control	17
Label	18
Gasket Kit	19

EASTMAN INDUSTRIES
70 INGERSOLL DRIVE
PORTLAND, ME 04103
TEL (207) 878-5353
TEL (800) 760-1680
FAX (207) 878-9109
EMAIL: info@eastmanind.com
www.eastmanmowers.com

Eastman Commercial

Model WM 20H

MOWER DISCONTINUED-PARTS ONLY

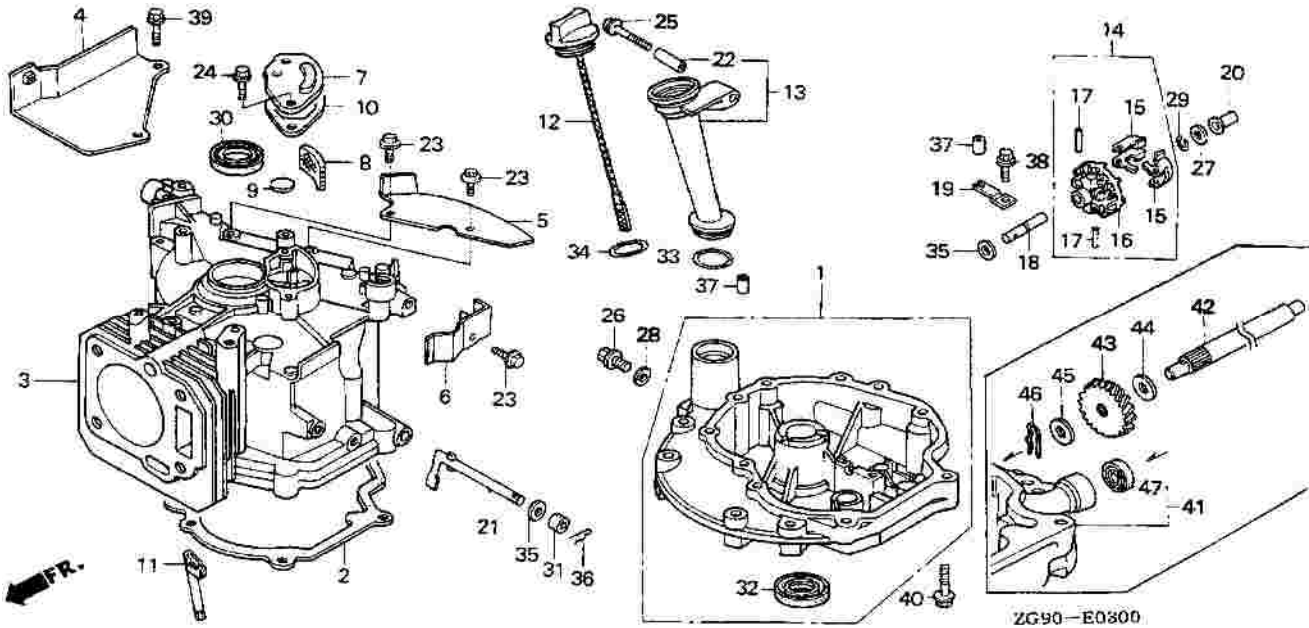


PARTS LIST FOR MODEL WM 20H - MOWER DISCONTINUED - PARTS ONLY

<u>Scm #</u>	<u>Part #</u>	<u>Description</u>	
1	WM-20HGXV	Honda 5.0 HP 4 Cycle Engine	
2	WM1002-S	9" Rear Wheel, Ribbed	
3	WM1000-S	8" Front Wheel, Ribbed	
4	WM1003	Shoulder Bolt, Wheels	
5	WM1007-N	Upper Handle with Grip	
6	WM1008	Lower handle	
7	WM1009	Handle Grip	
8	WM1010	Left Handle Bracket	
9	WM1011	Right Handle Bracket	
10	HM22583	Handle Knob with Hardware	
11	WM1014	Throttle Control & Cable	
12	HM19S-2172N	Bail Arm (subs from HM19S-2172)	
13	WM1016	Brake Cable	
14	WM1020	Gator Mulching Blade	
15	WM1021	High Lift Blade	
16	WM1022	Blade Adapter	
16	WM1022A	Drop Blade Adapter (1/2" low cut)	
17	WM1023	Blade Washer	
18	WM1024	Blade Retaining Bolt	
19	WM1025-N	Shaft Guard	
20	WM1026	Blade Lock Washer	
21	WM1030-N	Deck with Logos and Decals	No longer available
22	WM1031	Chute	
23	WM1032	Foot Guard	
24	WM1033	Rubber Drag	
25	WM1034	Drag Bar	
26	WM1040-N	Height Adjustment Bracket, Front Left,Rear Left	
27	WM1041-N	Height Adjustment Bracket, Front Right, Rear Right	
28	WM1042	Disc Spring, Height Adjustment Bracket	
29	WM1043	Discontinued - See 26 & 27 or WM 1048	No longer available
30	WM1044	Discontinued - See 26 & 27 or WM 1048	No longer available
31	WM1045	Discontinued - See 26 & 27 or WM 1048	No longer available
32	WM1046	Flat Washer, Height Adjustment Bracket	
	WM1048	Complete Height Adjustment Bracket Set	
34	WM1058	Key, PTO Shaft	
	WM1054	Wheel Attachment Nuts	
		<u>ACCESSORIES</u>	
33	WM1019	Mulching Plate	
	WM1057	Steel Grass Catcher	

HONDA GXV140 ENGINE PARTS MANUAL

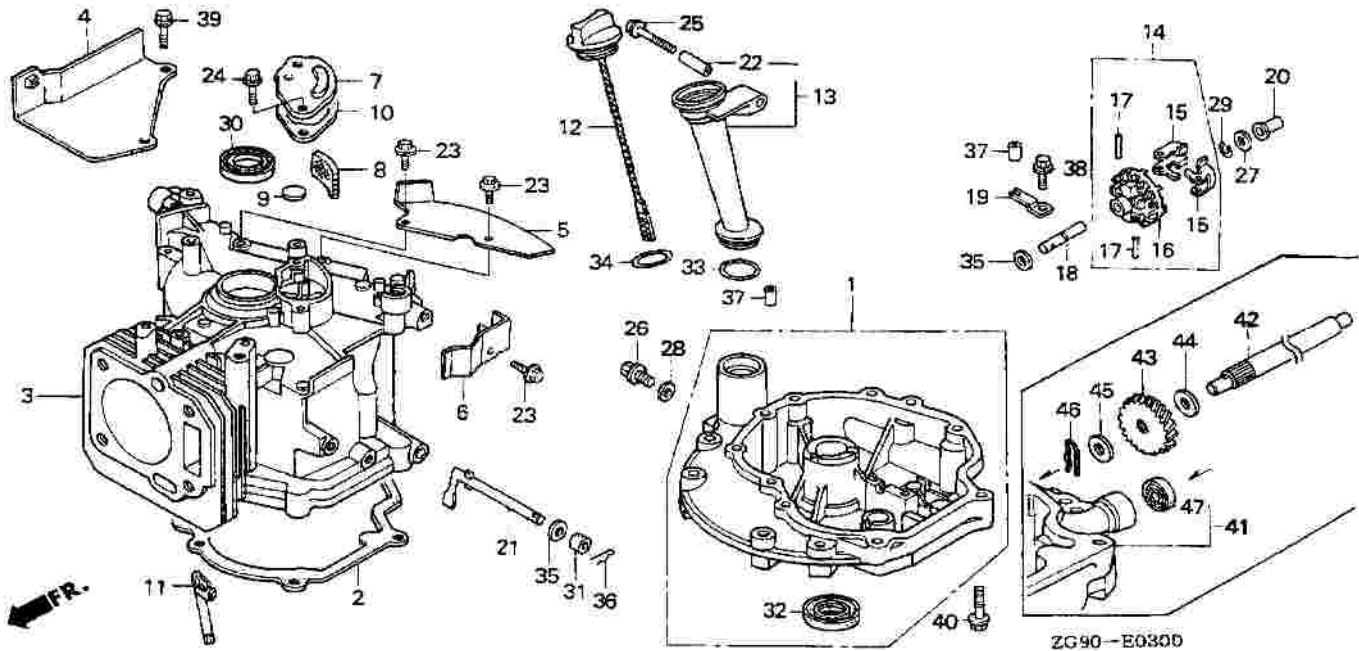
Figure: A-1 Cylinder Head



<u>Figure</u>	<u>Scm #</u>	<u>Part #</u>	<u>Description</u>	<u>Qty.</u>
A-1	1	GX-12200-ZG9-P40	Cylinder Head	1
A-1	2	GX-12205-ZE1-315	Guide, Ex. Valve (OS)	(1)
A-1	3	GX-12216-ZE5-300	Clip, Valve Guide	1
A-1	4	GX-12251-ZG9-000	Gasket, Cylinder Head	1
A-1	5	GX-12311-ZG9-800	Cover, Head	1
A-1	6	GX-12391-ZG9-800	Gasket, Head Cover	1
A-1	8	GX-94301-10160	Pin A, Dowel (10x16)	2
A-1	9	GX-95701-06014-00	Bolt, Flange (6 x 14)	4
A-1	10	GX-95701-08050-00	Bolt, Flange (8 x 50)	4
A-1	11	GX-98079-54846	Spark Plug (BPR4ES) (NGK)	(1)

HONDA GXV140 ENGINE PARTS MANUAL

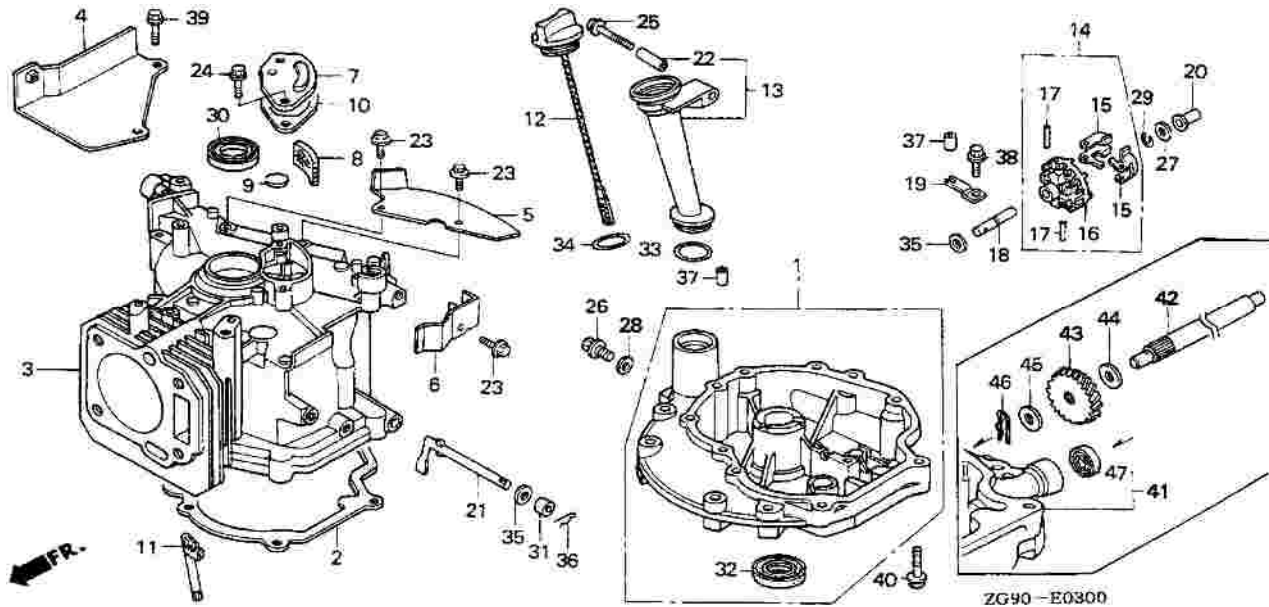
Figure: A-2 Cylinder Barrel



<u>Figure</u>	<u>Scm #</u>	<u>Part #</u>	<u>Description</u>	<u>Qty.</u>
A-2	1	GX-11300-ZG9-800	Pan, Assy., Oil (USA_PUSH)	1
A-2	2	GX-11381-ZG9-T00	Gasket, Oil Pan (HPE)	1
A-2	3	GX-12100-ZG9-800	Cylinder	1
A-2	4	GX-12125-ZG9-000	Plate, Guide	1
A-2	5	GX-12126-ZG9-M30	Plate A, Guide	1
A-2	7	GX-12360-ZE6-000	Cap, Breather Chamber	1
A-2	8	GX-12367-ZE6-010	Filter, Breather	1
A-2	9	GX-12372-879-000	Valve, Breather	1
A-2	10	GX-12373-ZE6-000	Gasket, Breather Chamber	1
A-2	11	GX-12385-ZE6-000	Pipe, Oil Defense	1
A-2	12	GX-15620-ZE6-810	Dipstick, Oil	1
A-2	13	GX-15630-ZE6-810	Extension, Oil Filler (106MM)	1
A-2	14	GX-16510-ZE6-000	Governor Assy	1
A-2	15	GX-16511-ZE1-000	Weight, Governor	2
A-2	16	GX-16512-ZE6-000	Holder, Governor Weight	1
A-2	17	GX-16513-ZE1-000	Pin, Governor Weight	2
A-2	18	GX-16515-ZE6-000	Shaft, Governor Holder	1
A-2	19	GX-16525-ZE6-010	Plate, Governor Shaft Holder	1
A-2	20	GX-16531-ZE1-000	Slider, Governor	1
A-2	21	GX-16541-ZE7-000	Shaft, Governor Arm	1

HONDA GXV140 ENGINE PARTS MANUAL

Figure: A-2 Cylinder Barrel (continued)



<u>Figure</u>	<u>Scm #</u>	<u>Part #</u>	<u>Description</u>	<u>Qty.</u>
Continued from Page 3				
A-2	22	GX-17240-ZE6-000	Collar, Extension	1
A-2	23	GX-90013-883-000	Bolt, Flange (6x12)(CT200)	2
A-2	24	GX-90014-952-000	Bolt, Flange (6x14)	2
A-2	25	GX-90017-883-000	Bolt, Flange (6x32)	1
A-2	26	GX-90131-ZE1-000	Bolt, Drain Plug	1
A-2	27	GX-90451-ZE1-000	Washer, Thrust (6MM)	1
A-2	28	GX-90601-ZE1-000	Washer, Drain Plug (10.2MM)	1
A-2	29	GX-90602-ZE1-000	Clip, Governor Holder	1
A-2	30	GX-91202-ZE6-003	Oil Seal (22x35x6)	1
A-2	31	GX-91231-891-003	Oil Seal (6x11x4)	1
A-2	32	GX-91201-ZG9-U71	Oil Seal (25x38x7)	1
A-2		GX-91252-888-003	Oil Seal (25x38x7) (ARAI)	
A-2	33	GX-91301-ZE9-003	O-Ring (22.5x2.2)	1
A-2	34	GX-91301-805-000	O-Ring (26x2.7)	1
A-2	35	GX-94101-06800	Washer, Plain (6MM)	2
A-2	36	GX-94251-08000	Pin, Lock (8MM)	1
A-2	37	GX-94301-08140	Pin A, Dowel (8x14)	1
A-2	38	GX-95701-06012-08	Bolt, Flange (6x12)	1
A-2	39	GX-95701-06020-00	Bolt, Flange (6x20)	1
A-2	40	GX-95701-06028-00	Bolt, Flange (6x28)	1

HONDA GXV140 ENGINE PARTS MANUAL

Figure: A-3 Crankshaft

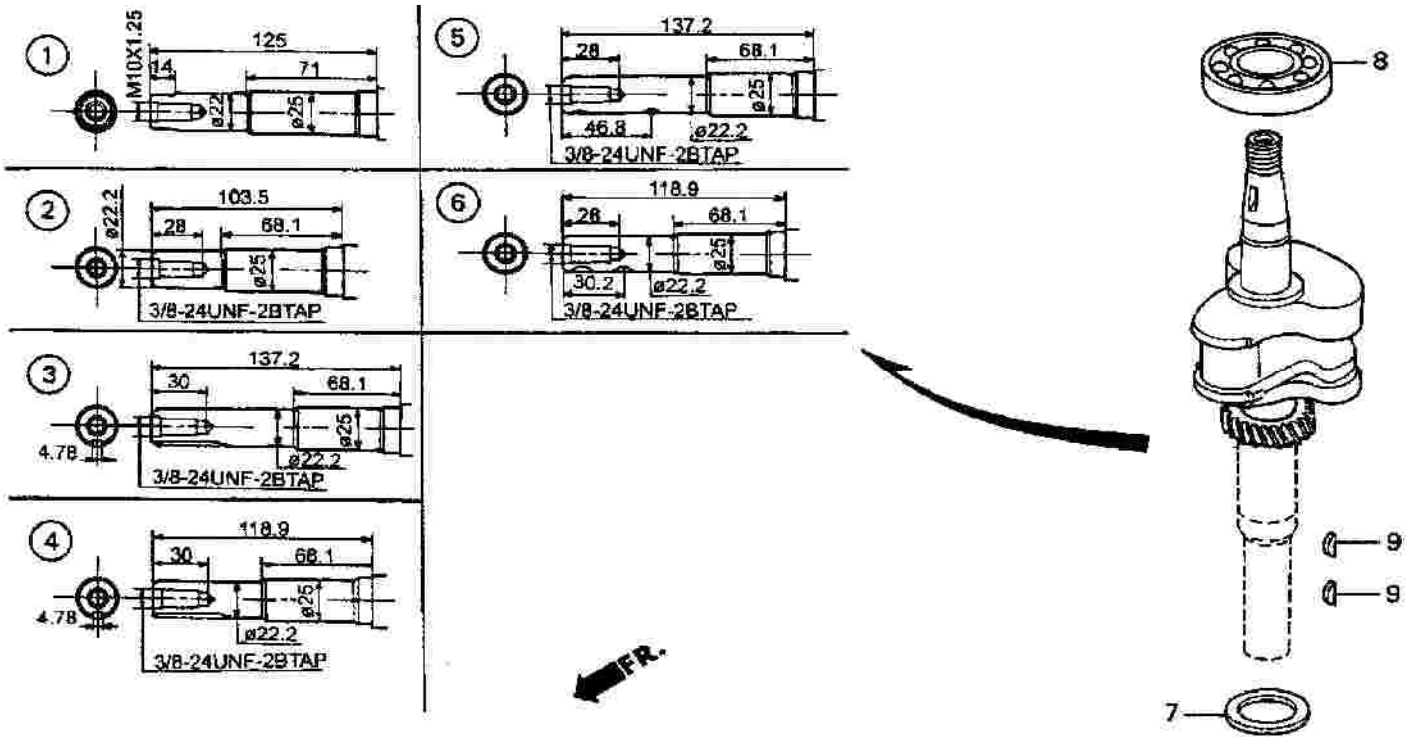
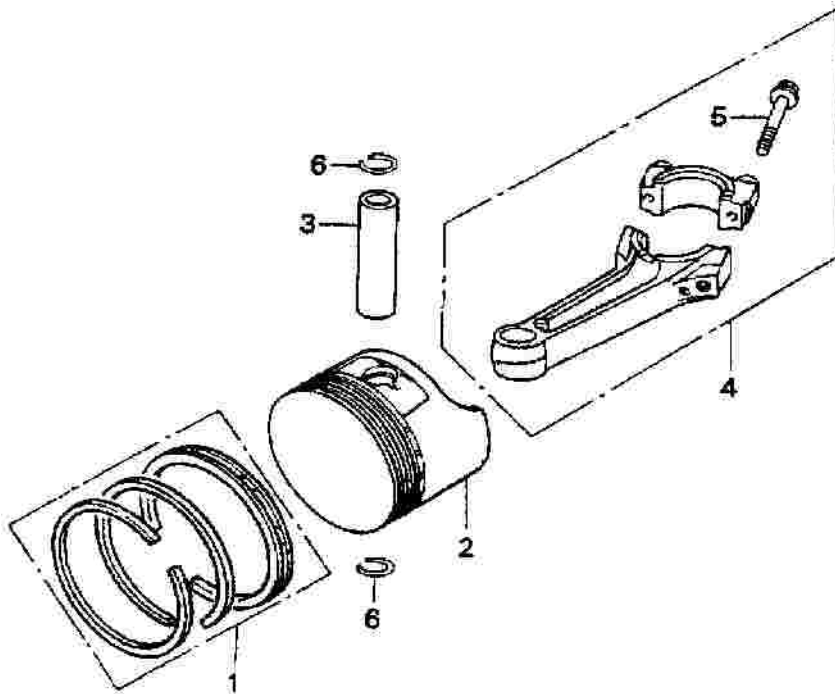


Figure	Scm #	Part #	Description	Qty.
A-3	5	GX-13310-ZG9-800	Crankshaft	1
A-3	8	GX-91001-878-003	Bearing, Radial Ball (62/22)	1

HONDA GXV140 ENGINE PARTS MANUAL

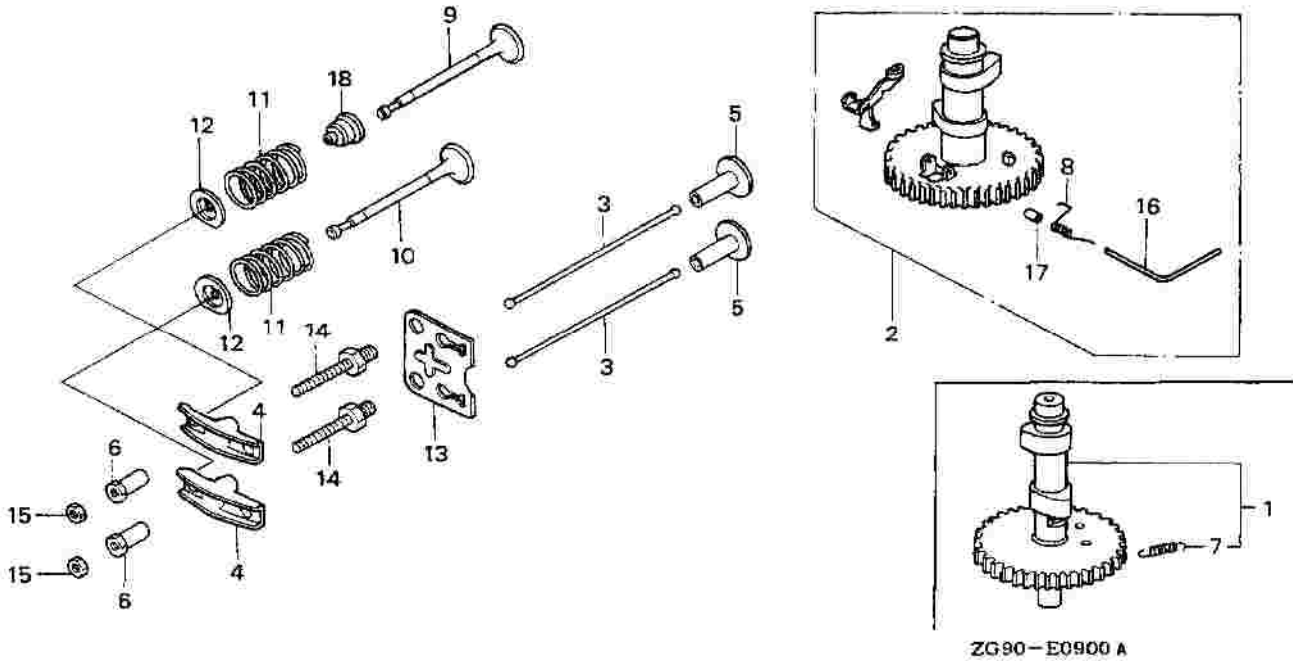
Figure: A-4 Piston



<u>Figure</u>	<u>Scm #</u>	<u>Part #</u>	<u>Description</u>	<u>Qty.</u>
A-4	1	GX-13010-ZG9-T00	Ring Set, Piston (Std)	1
A-4		GX-13010-ZG9-T01	Ring Set, Piston (Std)	1
A-4		GX-13010-ZG9-004	Ring Set, Piston (Std)	1
A-4		GX-13010-ZG9-003	Ring Set, Piston (OS 0.25)	(1)
A-4		GX-13012-ZG9-004	Ring Set, Piston (OS 0.50)	(1)
A-4		GX-13013-ZG9-T00	Ring Set, Piston (0.75)	(1)
A-4		GX-13013-ZG9-T01	Ring Set, Piston (0.75)	(1)
A-4		GX-13013-ZG9-003	Ring Set, Piston (0.75)	(1)
A-4		GX-13013-ZG9-004	Ring Set, Piston (0.75)	(1)
A-4	2	GX-13101-ZG9-000	Piston (STD)	1
A-4		GX-13101-ZG9-010	Piston (STD)	1
A-4		GX-13102-ZG9-000	Piston (OS 0.25)	(1)
A-4		GX-13103-ZG9-010	Piston (OS 0.50)	(1)
A-4		GX-13104-ZG9-000	Piston (0.75)	(1)
A-4	3	GX-13111-ZE0-000	Pin, Piston	1
A-4	4	GX-13200-ZE6-010	Rod, Assy., Connecting	1
A-4	5	GX-90001-ZE1-000	Bolt, Connecting Rod	2
A-4	6	GX-90551-ZE0-000	Clip, Piston Pin (13MM)	2

HONDA GXV140 ENGINE PARTS MANUAL

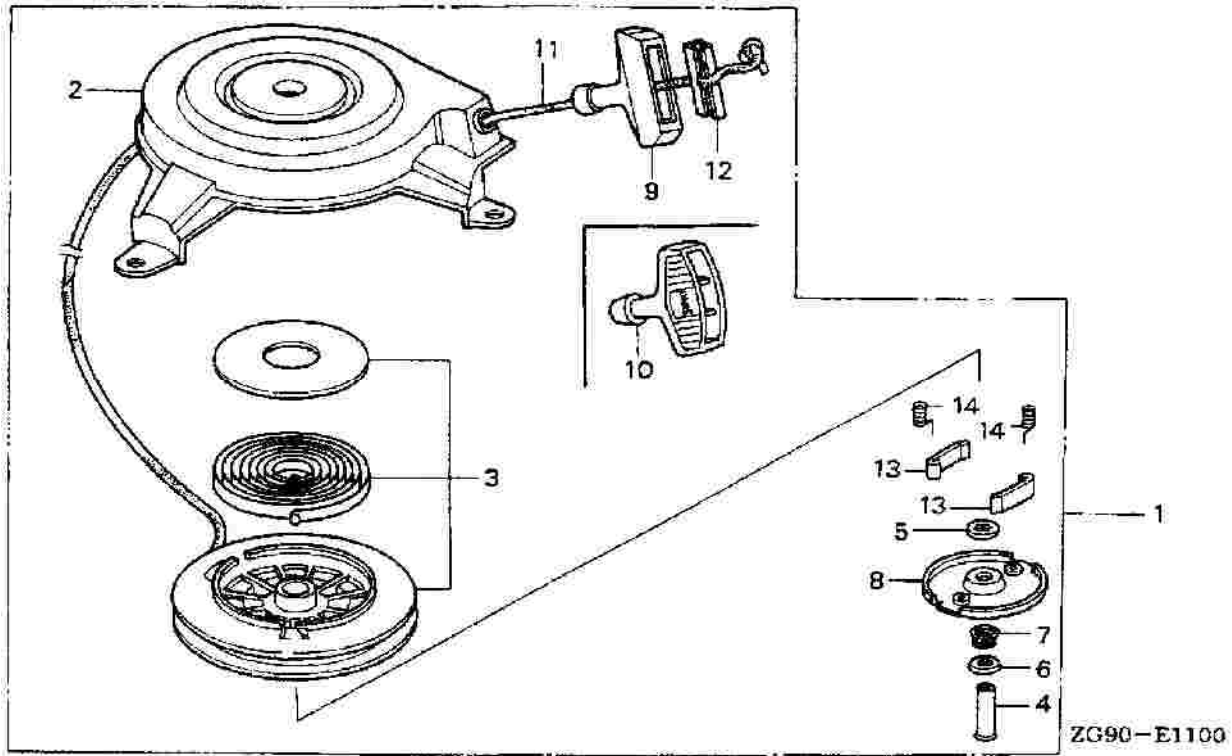
Figure: A-5 Camshaft



<u>Figure</u>	<u>Scm #</u>	<u>Part #</u>	<u>Description</u>	<u>Qty.</u>
A-5	2	GX-14100-ZG9-800	Camshaft Assy.	1
A-5	3	GX-14410-ZE0-010	Rod, Push	2
A-5	4	GX-14431-ZE1-000	Arm, Valve Rocker	2
A-5	5	GX-14441-ZE1-010	Lifter, Valve	2
A-5	6	GX-14451-ZE1-013	Pivot, Rocker Arm	2
A-5	8	GX-14568-ZG9-800	Spring, Weight Return	1
A-5	9	GX-14711-ZG9-810	Valve, In.	1
A-5	10	GX-14721-ZG9-810	Valve, Ex	2
A-5	11	GX-14751-ZF1-000	Spring, Valve	2
A-5	12	GX-14771-ZE1-T01	Retainer, Valve Spring	2
A-5		GX-14771-ZE1-000	Retainer, In. Valve Spring	2
A-5	13	GX-14791-ZE0-010	Plate, Push Rod Guide	1
A-5	14	GX-90012-ZE0-010	Bolt, Pivot (8MM)	2
A-5	15	GX-90206-ZE1-000	Nut, Pivot Adj	2
A-5	16	GX-90701-ZG9-800	Pin, Weight Center	1
A-5	17	GX-91502-ZG9-800	Collar, Weight Center	1
A-5	18	GX-12209-ZE6-003	Seal, Valve Stem	1

HONDA GXV140 ENGINE PARTS MANUAL

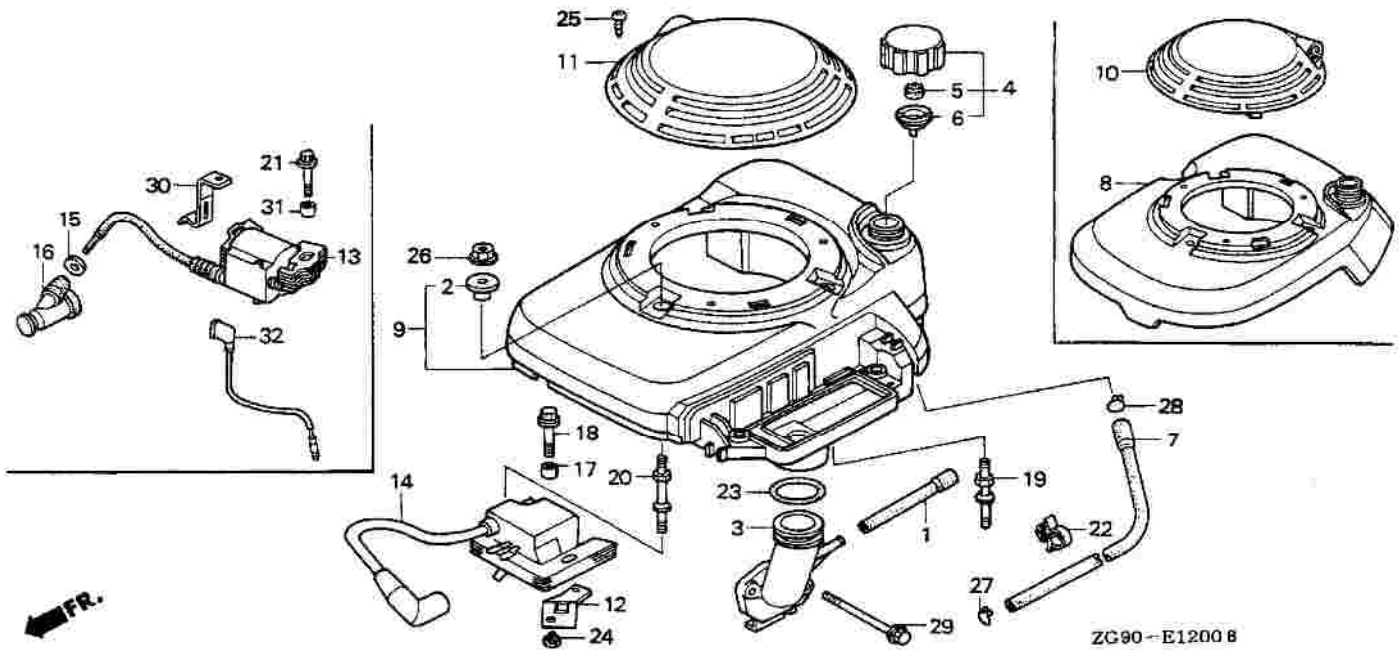
Figure: A-6 Recoil Starter



<u>Figure</u>	<u>Scm #</u>	<u>Part #</u>	<u>Description</u>	<u>Qty.</u>
A-6	1	GX-28400-ZG9-803	Starter, Assy., Recoil	1
A-6	2	GX-28402-ZG9-802	Housing Assy.	1
A-6	3	GX-28415-ZG9-802	Pulley & Spring Assy.	1
A-6	4	GX-28419-ZG9-802	Pin, Center	1
A-6	5	GX-28431-ZG9-802	Plate A. Friction	1
A-6	6	GX-28432-ZG9-802	Plate B. Friction	1
A-6	7	GX-28441-ZG9-802	Spring, Friction	1
A-6	8	GX-28444-ZG9-802	Retainer	1
A-6	9	GX-28461-ZE6-T02	Handle	1
A-6	11	GX-28462-ZG9-802	Rope, Recoil Starter (#4x85")	1
A-6	12	GX-28463-ZE6-T02	Handle, Reinforcement	1
A-6	13	GX-28485-ZE6-T02	Ratchet, Starter	2
A-6	14	GX-28486-ZE6-T02	Spring, Dog	2

HONDA GXV140 ENGINE PARTS MANUAL

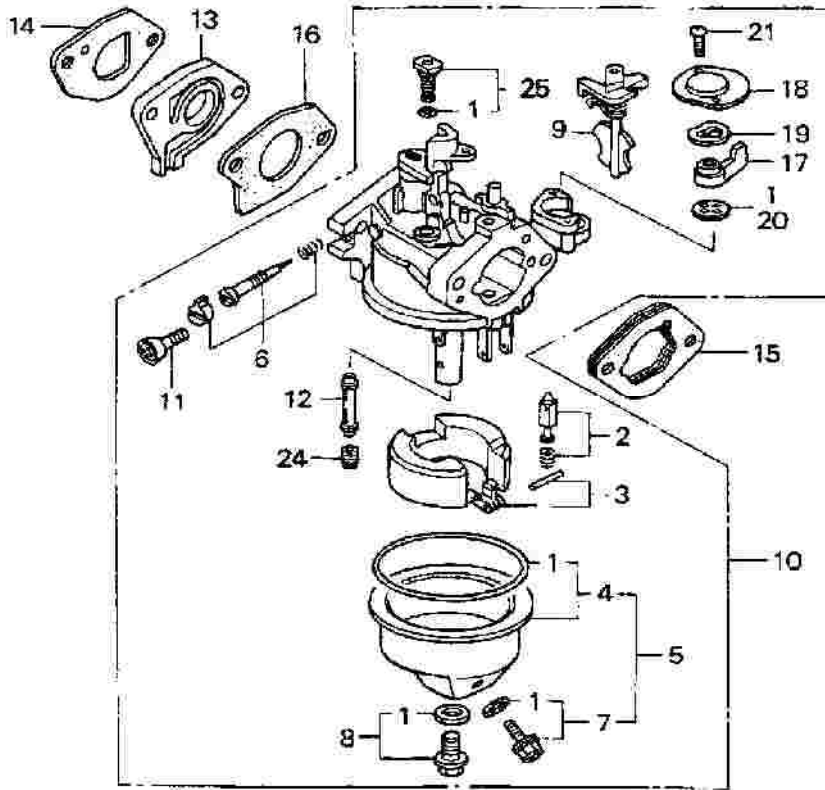
Figure: A-7 Fan Cover/Fuel



<u>Figure</u>	<u>Scm #</u>	<u>Part #</u>	<u>Description</u>	<u>Qty.</u>
A-7	1	GX-15721-ZE6-010	Tube, Breather	1
A-7	2	GX-17216-PE2-003	Collar, Air Cleaner	3
A-7	3	GX-17410-ZG9-800	Elbow, Air Cleaner	1
A-7	4	GX-17620-ZG9-000	Cap Assy., Fuel Tank	1
A-7	5	GX-17622-888-010	Sponge, Fuel Cap Breather	1
A-7	6	GX-17624-ZE7-000	Gasket, Fuel Cap	1
A-7	7	GX-17701-ZG9-800	Tube, Fuel Tank	1
A-7	9	GX-19610-ZG9-801ZA	Cover, Fan *NH1* Black	1
A-7	11	GX-19615-ZG9-800ZA	Hood, Fan Cover *NH1* Blk	1
A-7	14	GX-30500-ZG9-801	Coil Assy., Ignition	1
A-7	17	GX-75133-960-000	Collar, Roto-Stop	2
A-7	18	GX-90017-883-000	Bolt, Flange (6x32)	1
A-7	19	GX-90041-ZG9-800	Bolt, Stud (Brake)	2
A-7	20	GX-90042-ZG9-800	Bolt C, Stud	1
A-7	22	GX-90682-959-661	Clip B., Cable	1
A-7	23	GX-91301-ZG9-800	O-Ring (33.3x3.5)	1
A-7	25	GX-93913-24580	Screw, Tapping (4x20)	1
A-7	26	GX-94050-06000	Nut, Flange (6MM)	3
A-7	27	GX-95002-02080	Clip, Tube (B8)	1
A-7	28	GX-95002-02100	Clip, Tube (B10)	1
A-7	29	GX-95801-06100-00	Bolt, Flange (6x100)	2

HONDA GXV140 ENGINE PARTS MANUAL

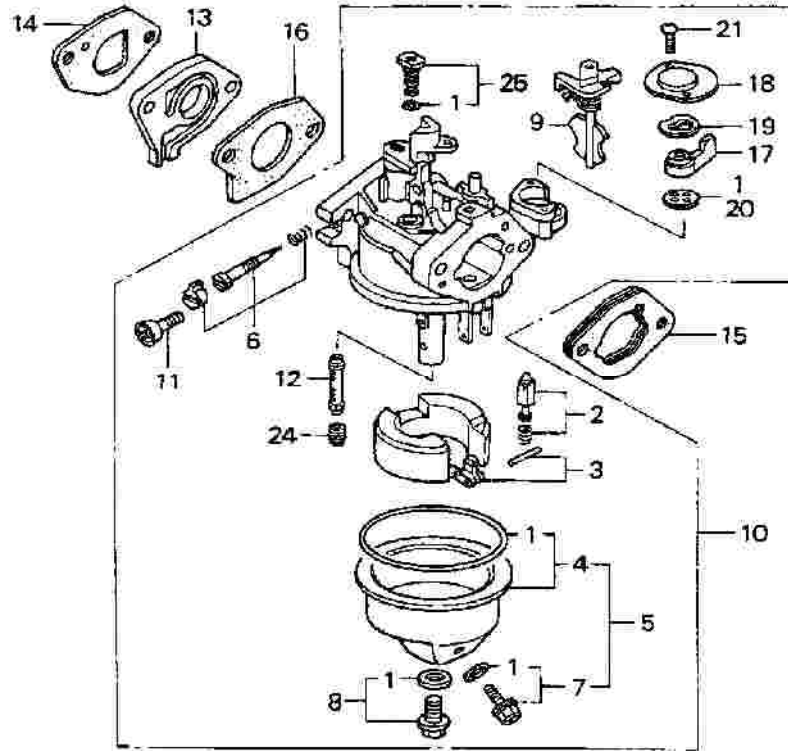
Figure: A-8 Carburetor (1)



<u>Figure</u>	<u>Scm #</u>	<u>Part #</u>	<u>Description</u>	<u>Qty.</u>
A-8	1	GX-16010-ZE0-025	Gasket Set	1
A-8		GX-16010-ZG9-800	Gasket Set	1
A-8	2	GX-16011-ZE0-005	Valve Set, Float	1
A-8	3	GX-16013-ZE0-005	Float Set	1
A-8	4	GX-16015-ZE0-831	Chamber Set, Float	1
A-8		GX-16015-ZG9-800	Chamber Set, Float	1
A-8	5	GX-16015-ZE0-831	Chamber Set, Float	1
A-8	6	GX-16016-ZH7-W01	Screw Set	1
A-8	7	GX-16024-ZE1-811	Screw Set, Drain	1
A-8	8	GX-16028-ZK7-591	Screw Set B (subs from -ZE0-005)	1
A-8	9	GX-16045-ZE7-005	Choke Set	1
A-8	10	GX-16100-ZG9-800	Carburetor Assy.	1
A-8		GX-16100-ZG9-803	Carburetor Assy. (BE53A C)	1

HONDA GXV140 ENGINE PARTS MANUAL

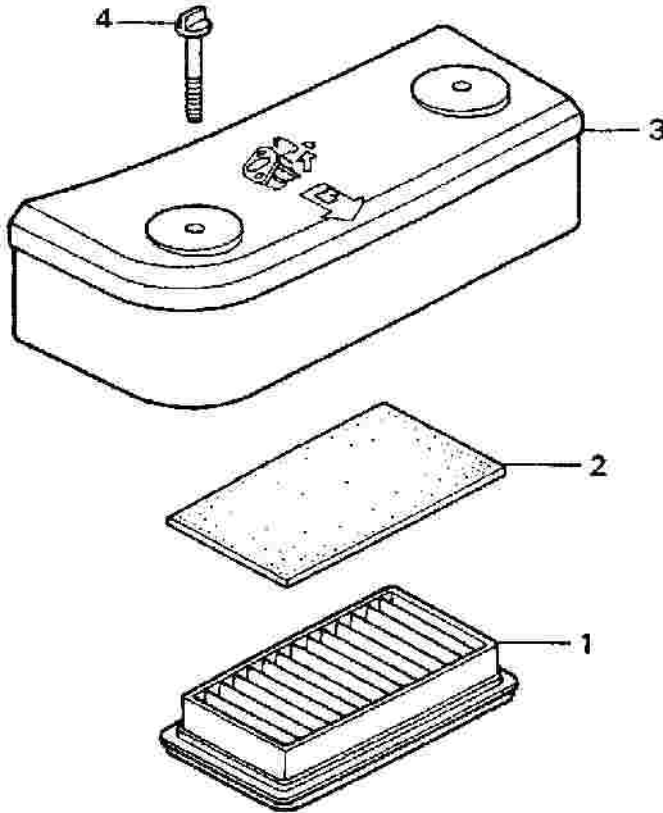
Figure: A-8 Carburetor (1) continued



<u>Figure</u>	<u>Scm #</u>	<u>Part #</u>	<u>Description</u>	<u>Qty.</u>
A-8	11	GX-16124-ZE0-005	Screw, Throttle Stop	1
A-8	12	GX-16166-ZG9-801	Nozzle, Main	1
A-8	13	GX-16211-ZG9-000	Insulator, Carburetor	1
A-8	14	GX-16212-ZG9-T00	Gasket, Carburetor (HPE)	1
A-8	15	GX-16220-ZE6-010	Spacer, Carburetor	1
A-8	16	GX-16221-ZH8-801	Gasket, Carburetor	1
A-8	17	GX-16953-ZE1-812	Lever, Valve	1
A-8	18	GX-16954-ZE1-812	Plate, Lever, Setting	1
A-8	19	GX-16956-ZE1-811	Spring, Valve Lever	1
A-8	20	GX-16957-ZE1-812	Gasket, Valve	1
A-8	21	GX-93500-03006-OH	Screw, Pan (3.6)	2
A-8	24	GX-99101-ZH7-0550	Jet, Main (#55)	(1)
		GX-99101-ZH7-0580	Jet, Main (#58)	(1)
		GX-99101-ZH8-0520	Jet, Main (#52)	(1)
		GX-99101-ZH8-0550	Jet, Main (#55)	(1)
		GX-99101-ZH8-0580	Jet, Main (#58)	1
		GX-99101-ZH8-0600	Jet, Main (#60)	1
	25	GX-99204-ZE2-0380	Jet Set, Pilot (#38)	1
		GX-99204-ZE2-0400	Jet Set, Pilot (#40)	

HONDA GXV140 ENGINE PARTS MANUAL

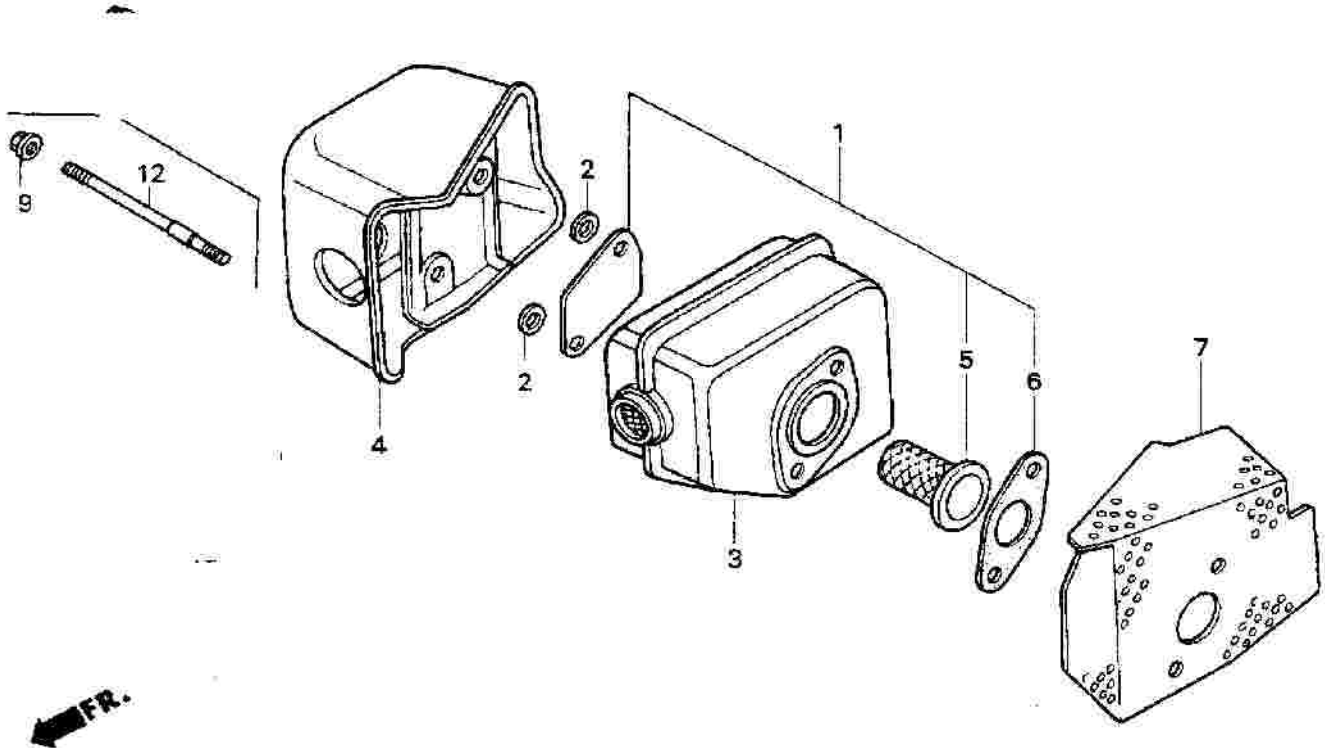
Figure: A-9 Air Cleaner



<u>Figure</u>	<u>Scm #</u>	<u>Part #</u>	<u>Description</u>	<u>Qty.</u>
A-9	1	GX-17211-ZG9-800	Element, Air Cleaner	1
A-9	2	GX-17218-ZG9-800	Filter (outer)	1
A-9	3	GX-17231-ZG9-800ZA	Cover, Air Cleaner *NH1* Blk	
A-9		GX-17231-ZG9-800ZC	Cover, Air Cleaner *R8* Red	
A-9	4	GX-90004-ZG9-MOD	Bolt, Air Cleaner (6MM)	2

HONDA GXV140 ENGINE PARTS MANUAL

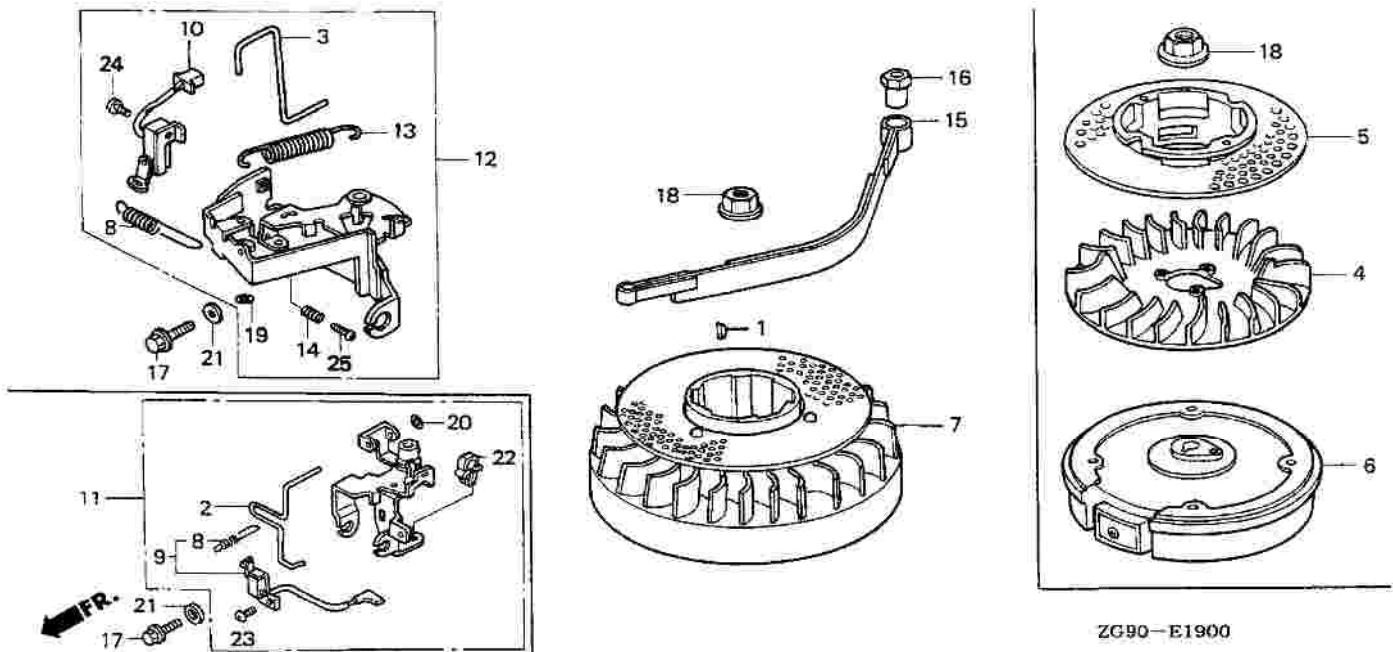
Figure: A-10 Muffler



<u>Figure</u>	<u>Scm #</u>	<u>Part #</u>	<u>Description</u>	<u>Qty.</u>
A-10	1	GX-06180-ZE6-820	Arrester Kit, Spark	(1)
A-10	2	GX-18292-ZE7-M10	Gasket Protector	2
A-10	3	GX-18310-ZG9-J01	Muffler	1
A-10	4	GX-18320-ZG9-M01	Protector, Muffler	1
A-10	5	GX-06180-888-505	Arrester Kit, Spark	(1)
A-10		GX-06180-888-810	Arrester Kit, Spark	(1)
A-10	6	GX-18381-ZE6-820	Gasket. Muffler	(1)
A-10	7	GX-18381-ZG9-M00	Gasket. Muffler	1
A-10	9	GX-90308-SAD-981	Nut, Self-Lock (6mm)	2
A-10	12	GX-90013-ZG9-T00	Belt, Stud (6x83)	2

HONDA GXV140 ENGINE PARTS MANUAL

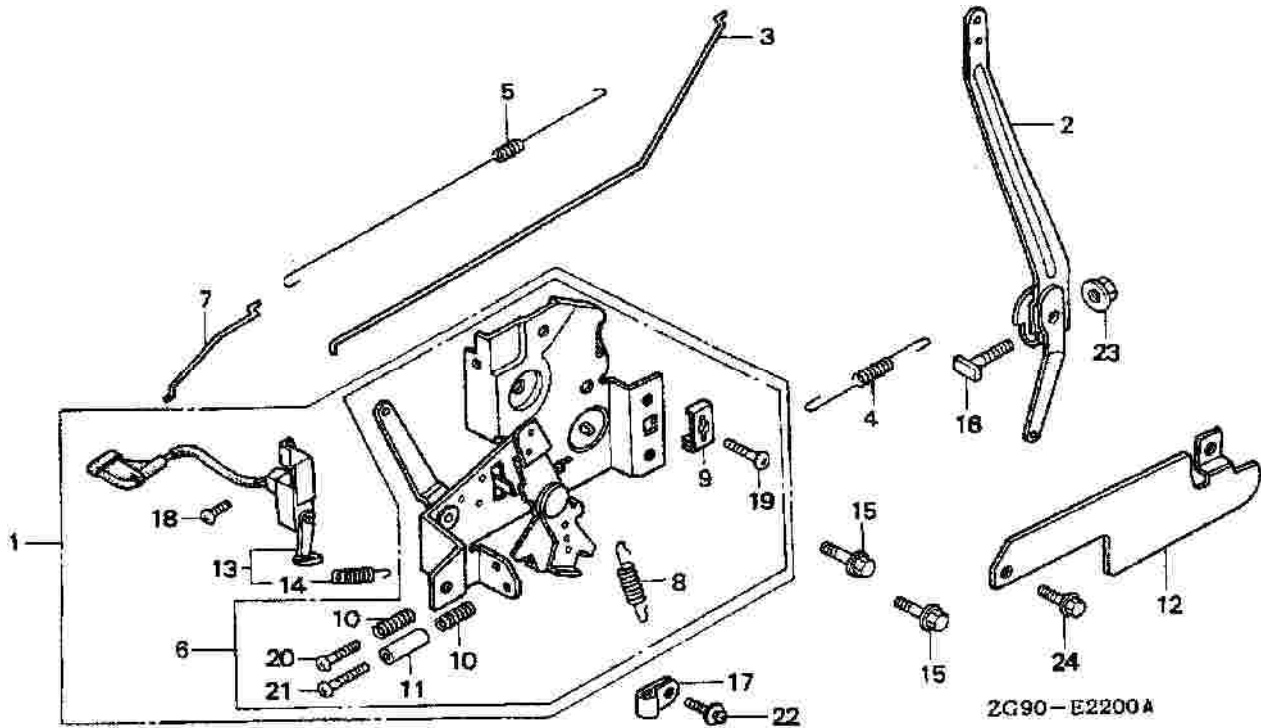
Figure: A-11 Flywheel (1)



<u>Figure</u>	<u>Scm #</u>	<u>Part #</u>	<u>Description</u>	<u>Qty.</u>
A-11	1	GX-13331-357-000	Key, Special Woodruff (25x18)	1
A-11	3	GX-16566-ZG9-800	Rod, Governor Arm Return	1
A-11	7	GX-31105-ZG9-800	Flywheel Assy	1
A-11	8	GX-35129-ZG9-800	Spring, Switch Control	1
A-11	10	GX-36100-ZG9-811	Switch Assy., Engine Stop (Brake)	1
A-11	12	GX-75101-ZG9-801	Lever Assy., Brake	1
A-11	13	GX-75113-ZG9-800	Spring, Brake Lever	1
A-11	14	GX-75114-ZG9-800	Spring, Brake Adjusting	1
A-11	15	GX-75120-ZG9-305	Brake	1
A-11	16	GX-75123-ZG9-800	Collar, Brake Shaft	1
A-11	17	GX-90029-888-000	Bolt, Flange (6x16)	1
A-11	18	GX-90201-878-003	Nut, Special (14MM)	1
A-11	19	GX-90310-ZB7-701	Nut, Push (2.6)	1
A-11	21	GX-90461-357-000	Washer, Sealing (6.5x12)	1
A-11	24	GX-93500-04008-0A	Screw, Pan (4x8)	1
A-11	25	GX-93500-05012-0A	Screw, Pan (5x12)	1

HONDA GXV140 ENGINE PARTS MANUAL

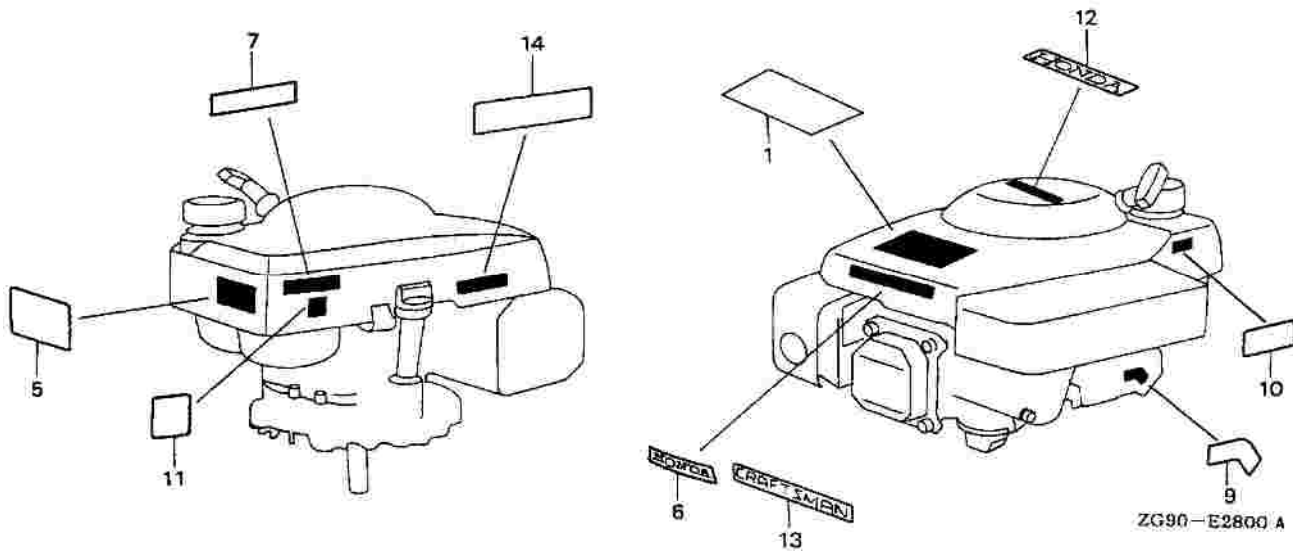
Figure: A-12 Control (1)



<u>Figure</u>	<u>Scm #</u>	<u>Part #</u>	<u>Description</u>	<u>Qty.</u>
A-12	2	GX-16551-ZE6-U40	Arm, Governor (C,G)	1
A-12	3	GX-16555-ZE6-000	Rod, Governor	1
A-12	4	GX-16561-ZE6-010	Spring, Governor	1
A-12	5	GX-16562-ZE6-000	Spring, Throttle Return	1
A-12	6	GX-16570-ZG9-810	Control (EN)	1
A-12	7	GX-16573-ZE6-010	Rod, Choke	1
A-12	8	GX-16574-ZG9-M00	Spring, Lever	1
A-12	9	GX-16576-891-000	Holder, Cable	1
A-12	10	GX-16584-883-300	Spring, Control Adjusting	2
A-12	11	GX-16599-ZG1-M10	Collar, Stopper	1
A-12	15	GX-90014-952-000	Bolt, Flange (6x14)	2
A-12	16	GX-90015-ZE5-010	Bolt, Governor Arm	1
A-12	17	GX-90628-ZC0-701	Clip (2.9MM)	1
A-12	19	GX-93500-05016-0A	Screw, Pan (5x16)	1
A-12	20	GX-93500-05020-0A	Screw, Pan (5x20)	1
A-12	21	GX-93500-05025-0A	Screw, Pan (5x25)	1
A-12	22	GX-93893-04012-00	Screw-Washer (4x12)	1
A-12	23	GX-94050-06000	Nut, Flange (6MM)	1

HONDA GXV140 ENGINE PARTS MANUAL

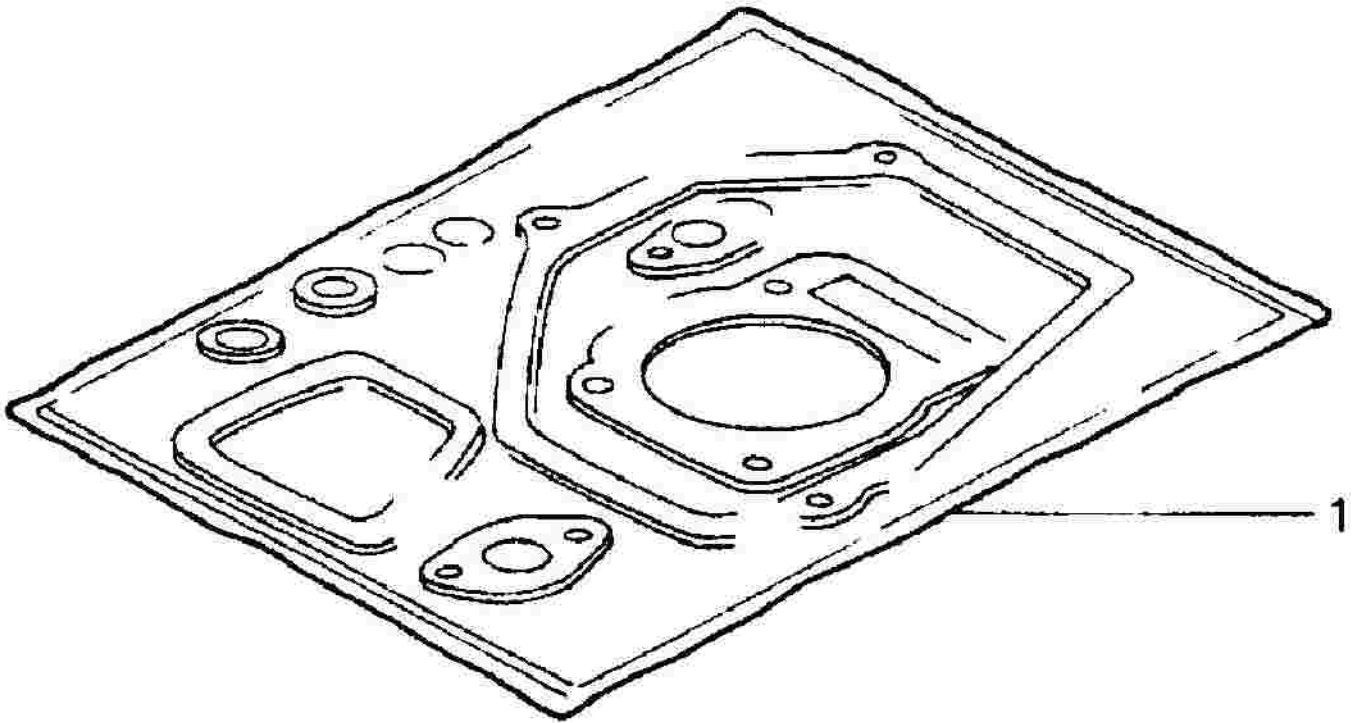
Figure: A-13 Label



<u>Figure</u>	<u>Scm #</u>	<u>Part #</u>	<u>Description</u>	<u>Qty.</u>
A-13	1	GX-87101-ZG9-800	Mark, Emblem (5.0)	1
A-13		GX-87101-ZG9-811	Mark, Emblem (5.0) (AH)	1
A-13	7	GX-87531-ZG9-800	Mark, Honda	1
A-13	10	GX-87586-ZH7-W00	Label, Fuel Caution	1

HONDA GXV140 ENGINE PARTS MANUAL

Figure: A-14 Gasket Kit



<u>Figure</u>	<u>Scm #</u>	<u>Part #</u>	<u>Description</u>	<u>Qty.</u>
A-14	1	GX-06111-ZG9-406	Gasket Kit	1