

**HOVER MOWER**™

By Eastman Industries

Mower Discontinued - Parts Only

**RETAIL**  
**SUZUKI HOVER MOWER PARTS MANUAL**  
*Including Suzuki M120X Engine Parts*  
*for Eastman Industries Hover Mower™ Model HM19S-2*

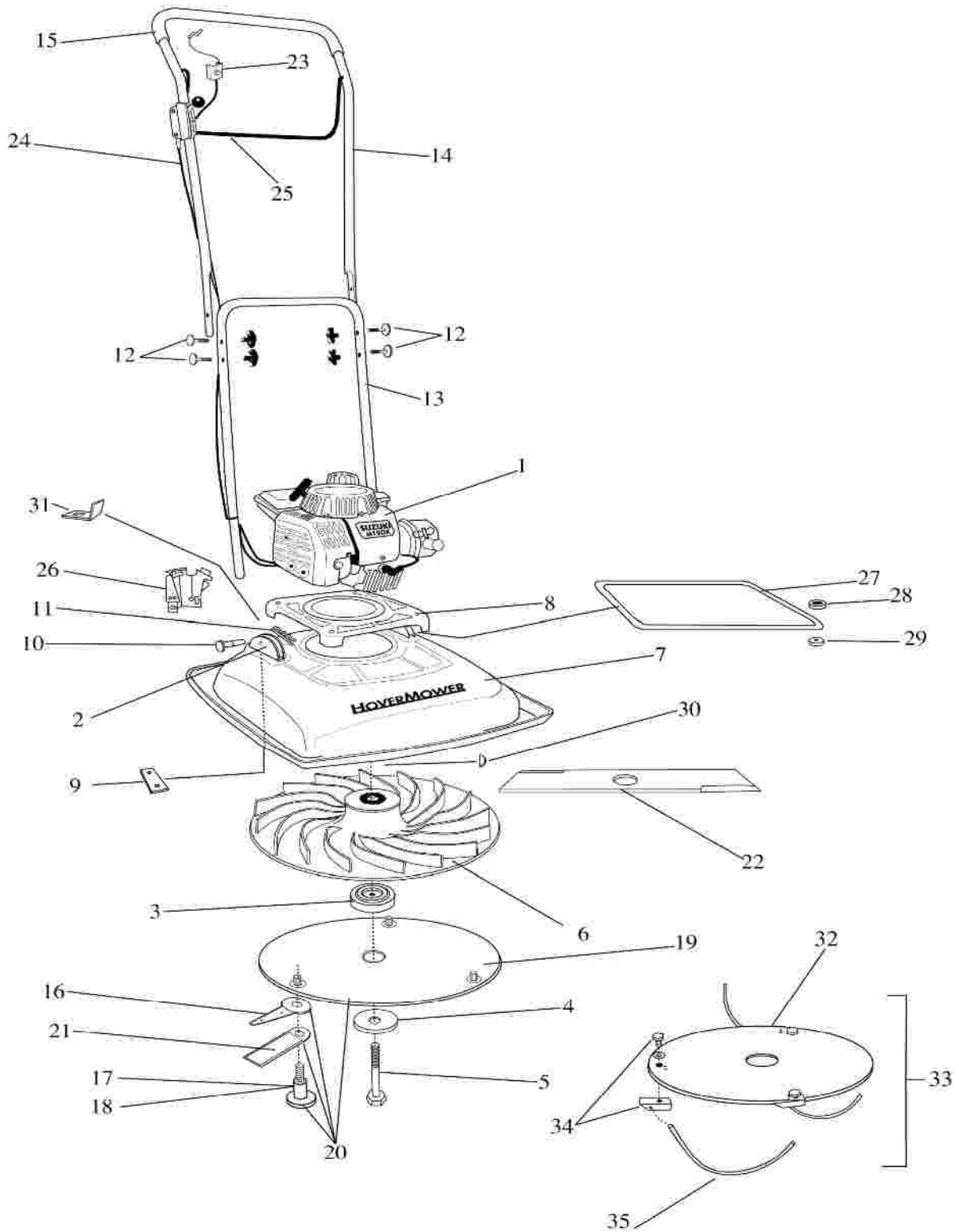
## Table of Contents

<u>Parts</u>	<u>Page</u>
Mower Parts	2-4
Crankcase	5-6
Crankshaft	7-8
Carburetor Control	9-10
Carburetor	11-12
Air Cleaner	13-14
Muffler	15-16
Recoil Starter	17-18
Magneto	19-20
Fuel Tank	21-22

EASTMAN INDUSTRIES  
70 INGERSOLL DRIVE  
PORTLAND, ME 04103  
TEL (207) 878-5353  
TEL (800) 760-1680  
FAX (207) 878-9109  
Email: [info@eastmanind.com](mailto:info@eastmanind.com)  
[www.eastmanmowers.com](http://www.eastmanmowers.com)

HM19S2 SUZUKI HOVER MOWER

**HOVER MOWER**™  
By Eastman Industries



**PARTS LIST FOR MODEL HM 19S - MOWER DISCONTINUED - PARTS ONLY**

<u>Scm #</u>	<u>Part #</u>	<u>Description</u>	
1	HM19S-2M120X	Suzuki 3.8 HP 2 Cycle Engine--(DISCONTINUED)	No longer available
	HM19H-CONKIT	Converts mower to Honda 5.5 HP/4 stroke engine	
2	HM 1550	Handle Bracket	
3	HM19S-21556A	Height Adjustment Spacer 1/2"	
3	HM19S-21556B	Height Adjustment Spacer 1/4"	
4	PX5541	Impeller Flat Washer (subs from HM19S-21557)	
5	HM19S-215581	Impeller Retaining Bolt 2 1/2"	
5	HM19S-215582	Impeller Retaining Bolt 3"	
5	HM19S-215583	Impeller Retaining Bolt 3 1/2"	
6	HM19S-21560N	Impeller - 15"	
7	HM19S-21562 *	Deck with Logos and Decals	
8	HM19S-21565	Engine Mount	
9	HM 22569	Handle Mounting Plate	
10	HM 22573	Clevis Pin	
11	HM 2257	Hair Pin Cotter Key	
12	HM 22583	Handle Knob W/Hardware	
13	HM 1549	Lower Handle	
14	HM19S-21585	Upper Handle (With Grip)	
15	HM 1582	Handle Grip	
16	HM 1601-12	Nylon Blades ( Pkg of 12)	
17	HM 1602-3	Shoulder Bolts for Nylon Blades (Pkg of 3)	
18	HM 1603-3	Shoulder Bolts for Stainless Steel Blades (Pkg of 3)	
19	HM19S-21603	Cutter Disc	
20	HM19S-21606N	Cutter Disc Assy with Nylon Blades & Bolts	
20	HM19S-21606S	Cutter Disc Assy with Stainless Steel Blades & Bolts	
21	HM 1605-3	Reversible Stainless Steel Blades (Pkg of 3)	
22	HM19S-1607 **	Bar Blade (Not Available In The U.S.)	
23	HM19S-2170	Brake Cable	
24	HM19S-2171	Throttle Control & Cable	
25	HM19S-2172N	Bail Arm (subs from -2172)	
26	HM19S-2174	Fly Wheel Brake Assembly	
27	HM19S-21566	Impeller Guard	
28	HM19S-21611	Retaining Washer	
29	HM19S-21612	Dampening Spacer	
30	HM19S-2175	Impeller Woodruff Key	
31	HM 1551N	Handle Stop	
32	HM19S-21613	Cutter Disc for Nylon Strings	
33	HM19S-21613T	Cutter Disc Assy with Nylon Strings & Fasteners	
34	HM 1600	String Attachment Fastener (Pkg of 3)	
35	HM 1615-1	.130" Magnum Gatorline - 1 lb. Donut	
35	HM 1615-3	.130" Magnum Gatorline - 3 lb. Donut	
	HM19H-215585	Impeller Spacer (Short Shaft Suzuki)	

\* use HM19H-21563 for European Certification

\*\* use HM20H-1607 for European Certification

## PARTS LIST FOR MODEL HM 19S - MOWER DISCONTINUED - PARTS ONLY

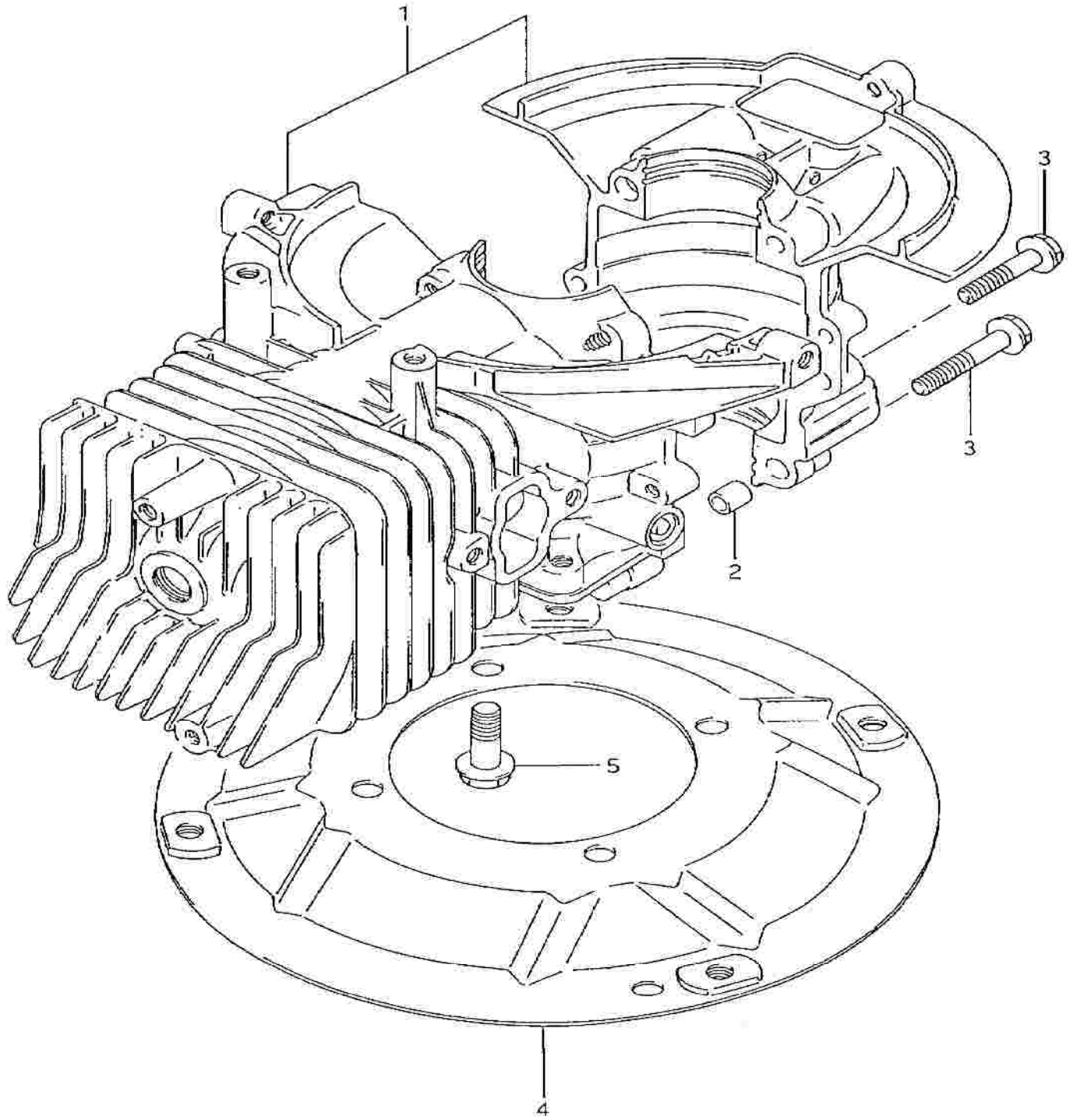
### Part #

### Description

#### ACCESSORIES

HM19S-215584	Impeller "Pull" Bolt	
HM19S-21563	4" Lift Kit	
HM 1003	Extreme Duty Pre-Cleaner	No longer available
HM19S-21590	12" Handle Extension Kit (Long Handle, Brake & Throttle Cables)	
HM19S-2170L	Brake Cable Long	
HM19S-2171L	Throttle Cable Long	
HM 1549L	Lower Handle Long	

**FIG 1**

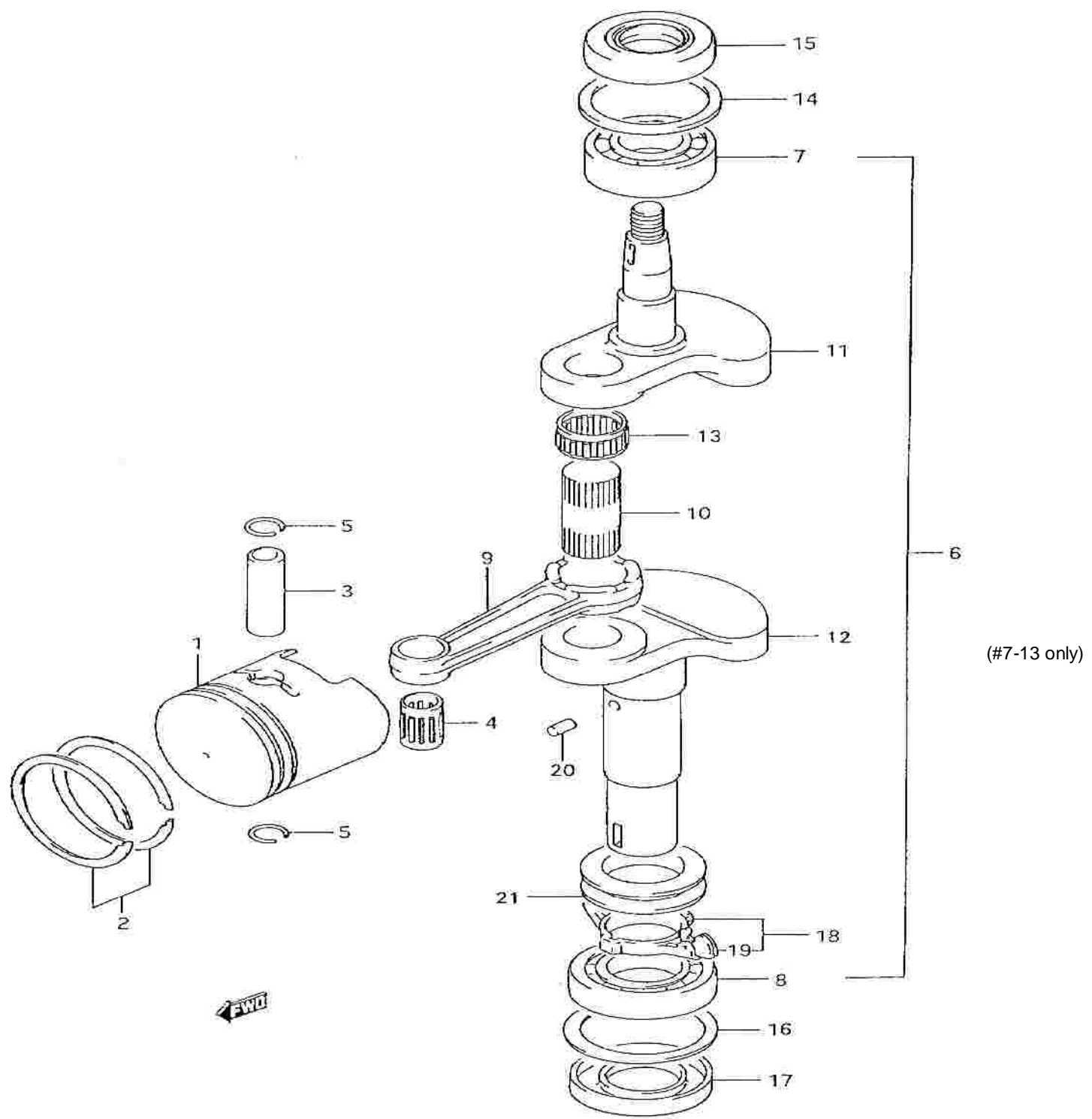


## SUZUKI M120X ENGINE PARTS MANUAL

**Figure 1. Crankcase**

<u>Fig</u>	<u>Scm #</u>	<u>Part #</u>	<u>Description</u>	<u>Qty</u>
1	1	11300-906AO	Crankcase Assy	1
1	2	04211-09109	Pin	2
1	3	01550-06303	Bolt	6
1	4	11610-90600-35F	Plate, Mounting	1
1	5	01550-08203	Bolt	4

**FIG 2**



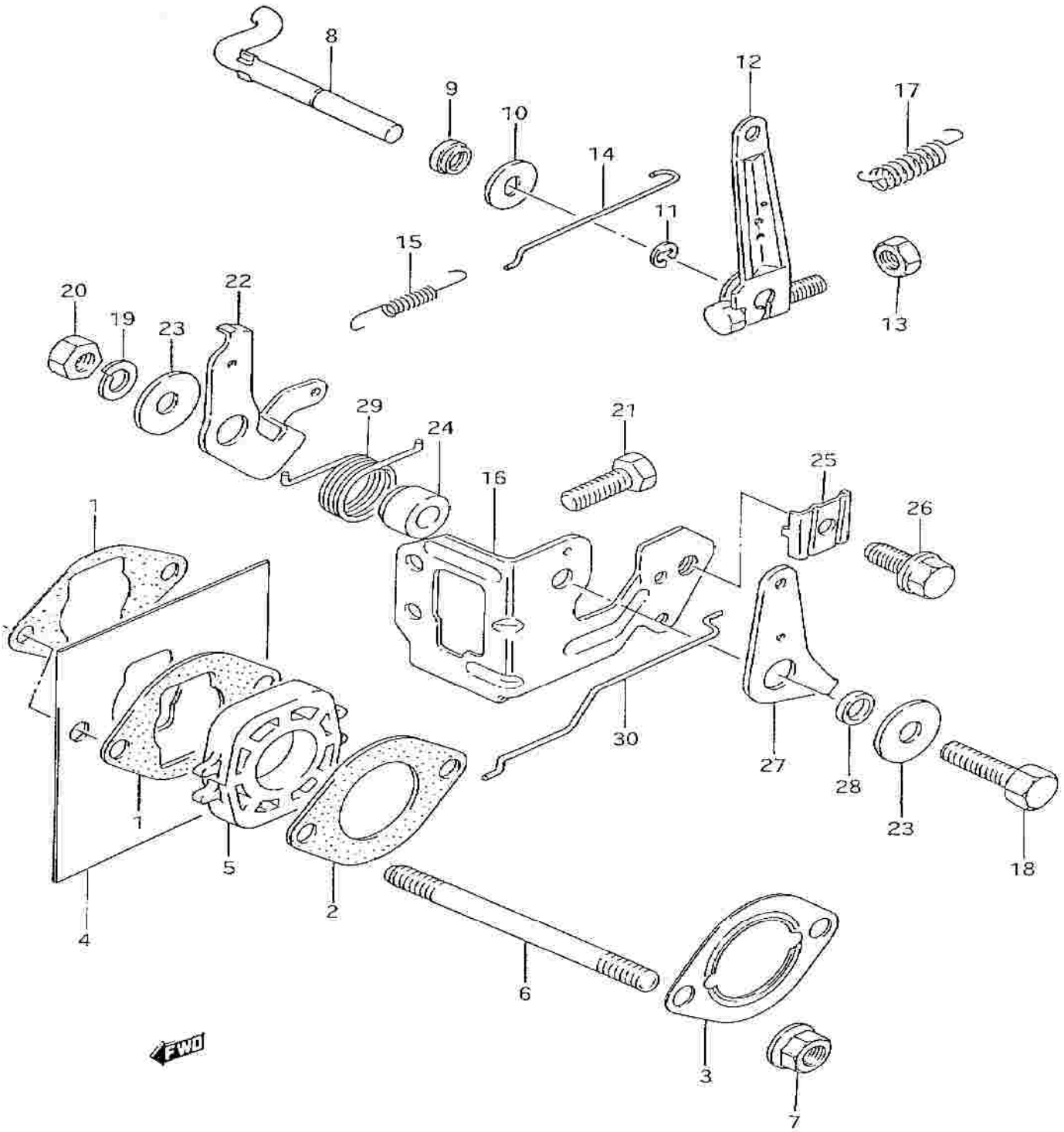
## SUZUKI M120X ENGINE PARTS MANUAL

**Figure 2. Crankshaft**

<u>Fig</u>	<u>Scm #</u>	<u>Part #</u>	<u>Description</u>	<u>Qty</u>
2	1-1	12110-90620	Piston	1
2	1-2	12110-90620-025	Piston (OS:0.25)	1
2	2-1	12140-90600	Ring Set, Piston	1
2	2-2	12140-90600-025	Ring Set, Piston (OS:0.25)	1
2	3	12151-90600	Pin, Piston	1
2	4	09263-12017	Bearing (12X15X19.2)	1
2	5	09381-12001	Circlip	2
2	6	12200-906A0	Crankshaft Assy (#7-13)	1
2	7	09262-20106	Bearing, Upper	1
2	8	08113-60050	Bearing, Lower	1
2	9	12161-90600	Rod, Connecting	1
2	10	12211-90600	Pin, Crank	1
2	11	12221-90640	Crankshaft, Upper	1
2	12	12251-90670	Crankshaft, Lower	1
2	13	09263-18018	Bearing, Crank Pin	1
2	14	08211-38463	Thrust Washer, Upper	1
2	15	09283-20039	Oil Seal, Upper	1
2	16	09160-43001	Thrust Washer, Lower	1
2	17	09283-25073	Oil Seal, Lower	1
2	18	19210-90610	Bracket Arm	1
2	19	19211-90100	Arm, Centrifugal	4
2	20	04221-03059	Pin	1
2	21	19221-90601	Collar Governor	1



**FIG 3**

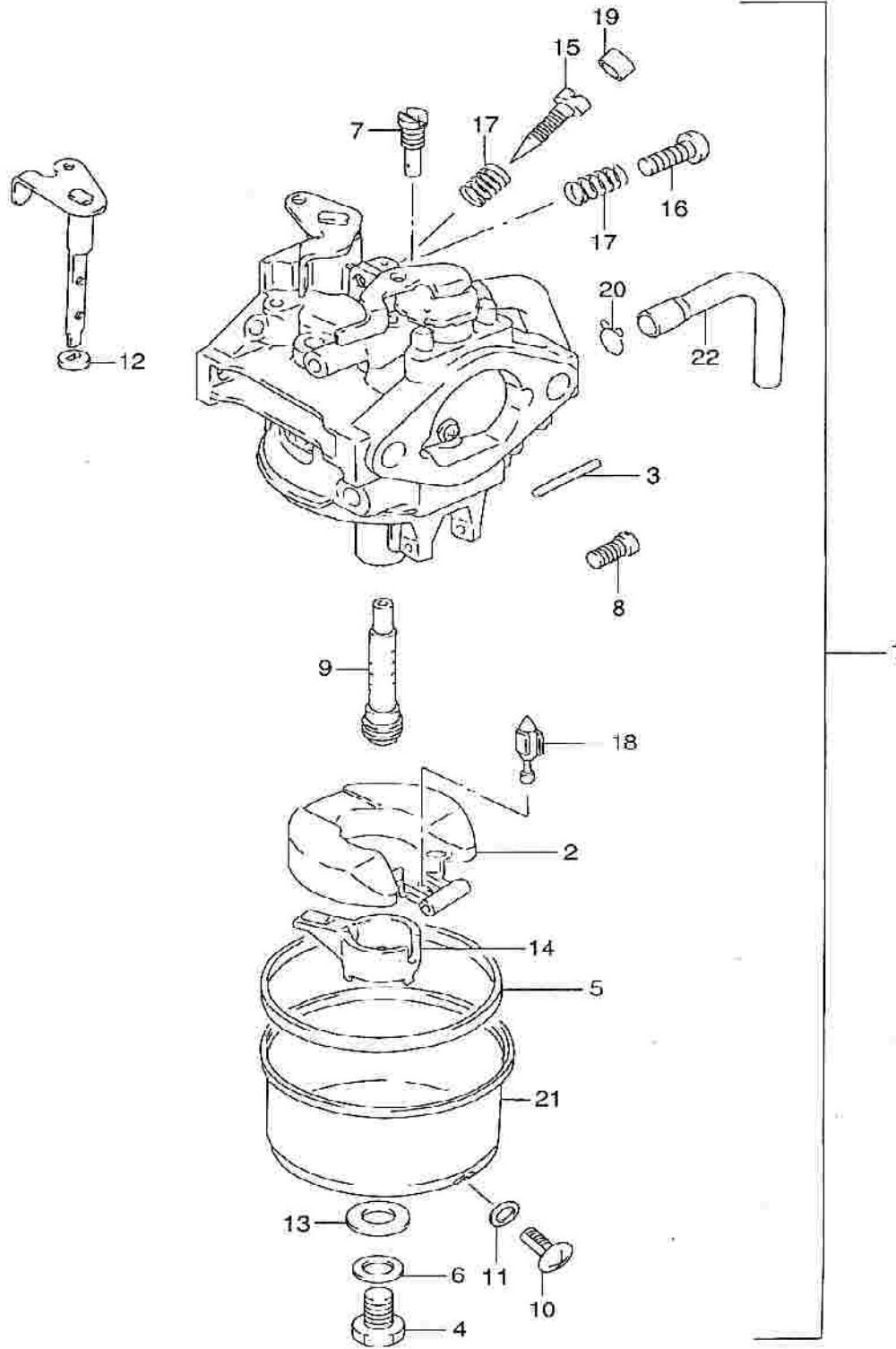


## SUZUKI M120X ENGINE PARTS MANUAL

**Figure 3. Carburetor Control**

<u>Fig</u>	<u>Scm #</u>	<u>Part #</u>	<u>Description</u>	<u>Qty</u>
3	1	13125-90630	Gasket, Carburetor	2
3	2	13125-90620	Gasket, Carburetor	1
3	3	13881-90901	Gasket, Air Cleaner	1
3	4	13128-90600	Shield	1
3	5	13129-90620	Insulator, Carburetor	1
3	6	01421-06703	Stud Bolt	2
3	7	08316-10063	Nut	2
3	8	19231-90611	Shaft, Throttle Return	1
3	9	09284-05002	Oil Seal (5X10X14)	1
3	10	09160-05037	Washer (5.5X16X1.2)	1
3	11	08332-11043	E Ring	1
3	12	19240-90630	Lever, Throttle Control	1
3	13	08310-00063	Nut	1
3	14	19271-90600	Rod, Carburetor	1
3	15	09443-05014	Spring	1
3	16	19260-90620	Bracket, Throttle Control	1
3	17	19245-906BO	Spring	1
3	18	02162-06203	Bolt	1
3	19	08321-01063	Lock Washer	1
3	20	09140-06027	Nut	1
3	21	09103-06172	Bolt (6 x 12)	1
3	22	19251-90620	Lever, Governor Spring	1
3	23	09160-06086	Washer (6.5 x 20 x 1.0)	1
3	24	09180-06153	Spacer	1
3	25	19263-90620	Hook, Cable	1
3	26	02162-05163	Bolt	1
3	27	19264-90620	Lever, Choke Control	1
3	28	09180-06129	Spacer (6.2X10X2.2)	1
3	29	09448-18018	Spring	1
3	30	19275-90620	Rod, Choke	1

FIG 4

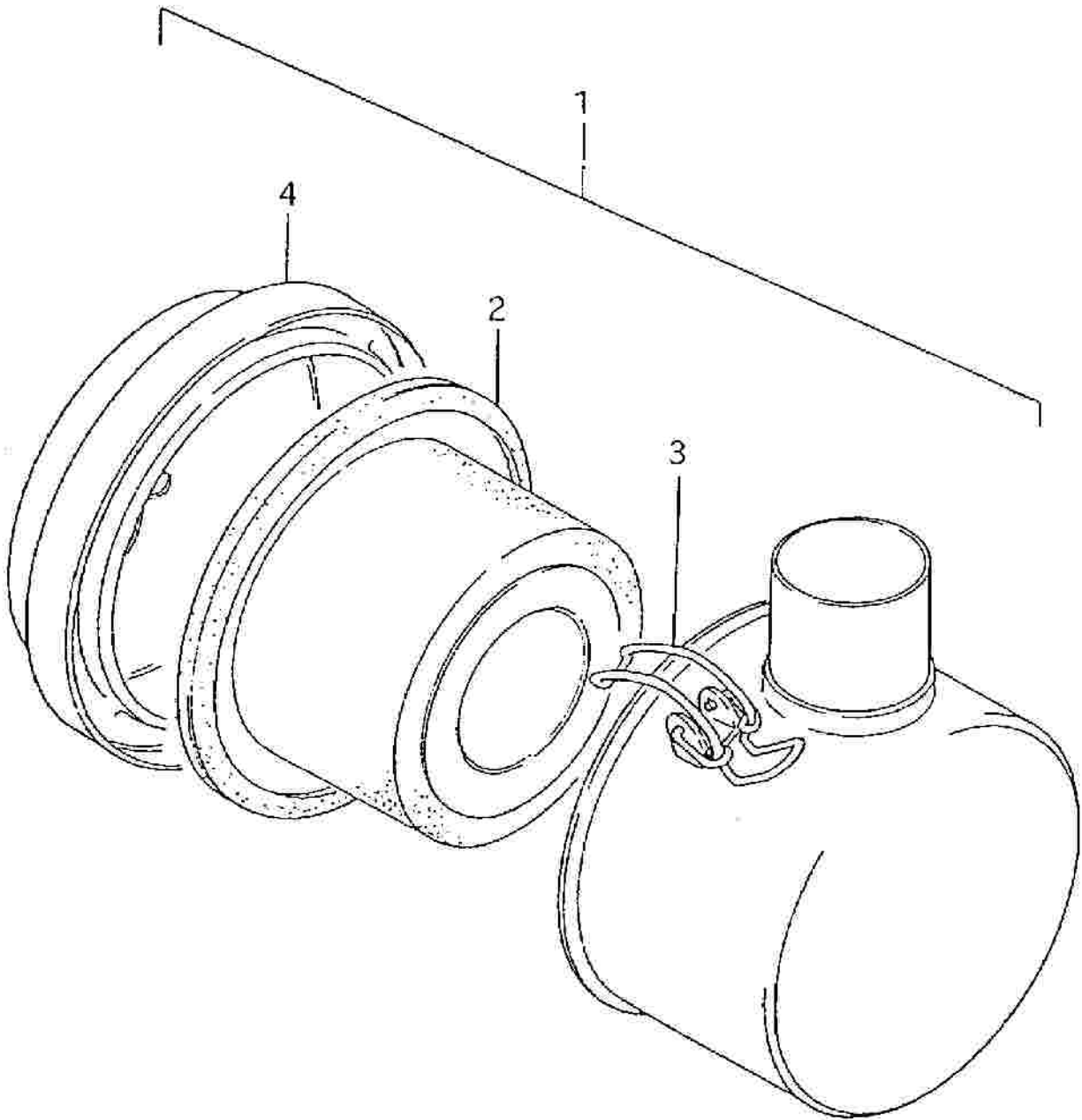


## SUZUKI M120X ENGINE PARTS MANUAL

**Figure 4. Carburetor**

<u>Fig</u>	<u>Scm #</u>	<u>Part #</u>	<u>Description</u>	<u>Qty</u>
4	1	13200-906E0	Carburetor	1
4	2	13252-87C00	Float	1
4	3	13254-97A00	Pin	1
4	4	13247-87C00	Bolt, Drain	1
4	5	13251-90700	Gasket, Float Chamber	1
4	6	13249-90700	Gasket, Drain Plug	1
4	7	09492-40011	Jet, Pilot (40)	1
4	8	09491-80009	Jet, Main (80)	1
4	9	13235-90681	Nozzle, Main	1
4	10	13605-90650	Plug, Drain	1
4	11	13619-90650	Gasket, Drain Plug	1
4	12	13556-87C00	Seal	1
4	13	13239-87C00	Ring	1
4	14	13256-87C00	Ring	1
4	15	13279-906B0	Adjuster	1
4	16	13267-90610	Screw	1
4	17	13268-52010	Spring	2
4	18	13301-87C00	Valve, Needle	1
4	19	13620-90980	Cap	1
4	20	13671-05A40	Clip	1
4	21	13245-87C00	Chamber, Float	1
4	22	13684-90C00	Hose	1

**FIG 5**



## SUZUKI M120X ENGINE PARTS MANUAL

**Figure 5. Air Cleaner**

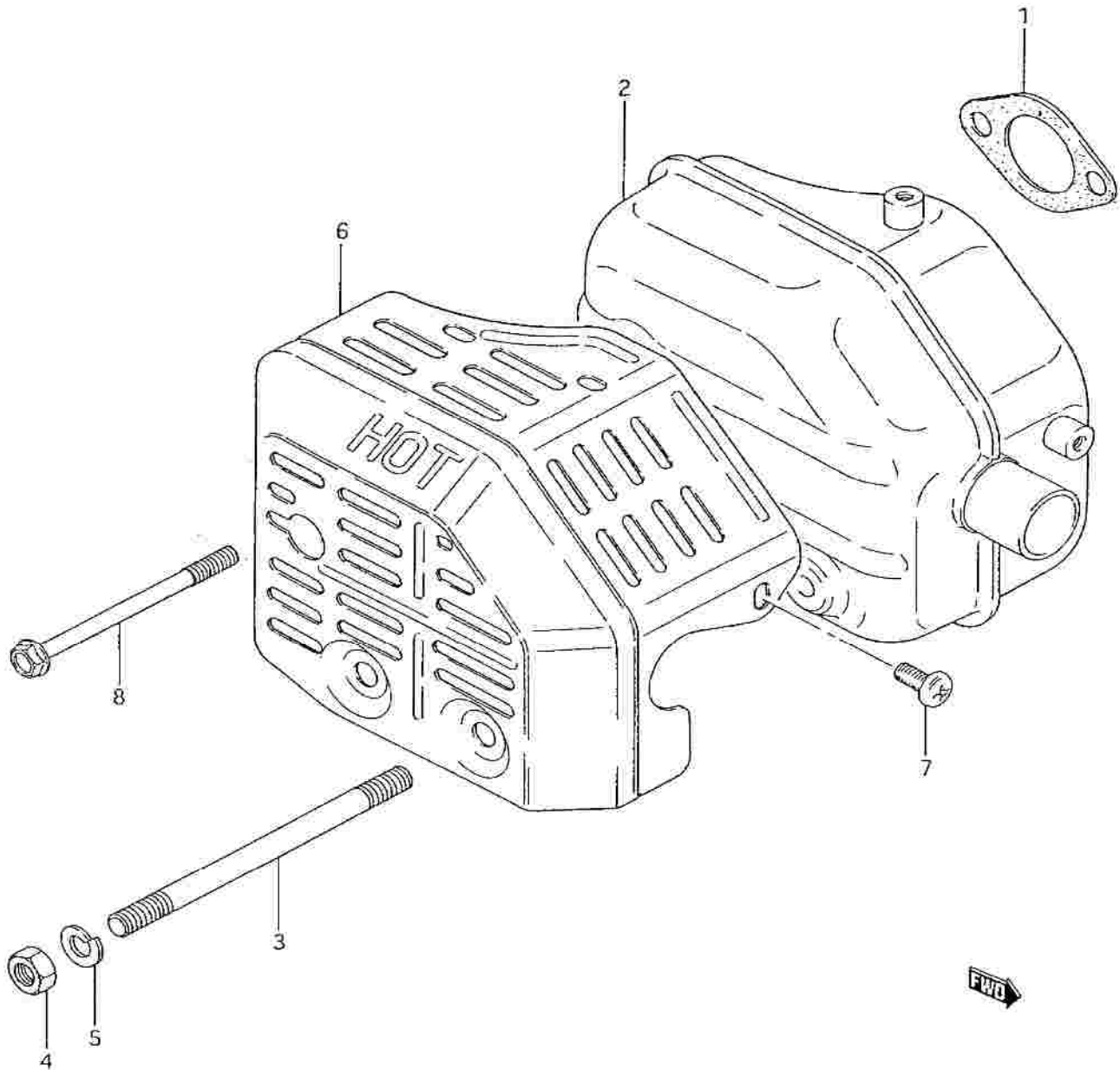
<u>Fig</u>	<u>Scm #</u>	<u>Part #</u>	<u>Description</u>	<u>Qty</u>
5	1	13700-90610-35F	Cleaner Assy, Air	1
5	2	13780-90600	Filter	1
5	3	13820-90510	Clamp	2
5	4	13740-90610-35F	Cap	1

**FIG 6**

**HOVER MOWER**

TM

**By Eastman Industries**



## SUZUKI M120X ENGINE PARTS MANUAL

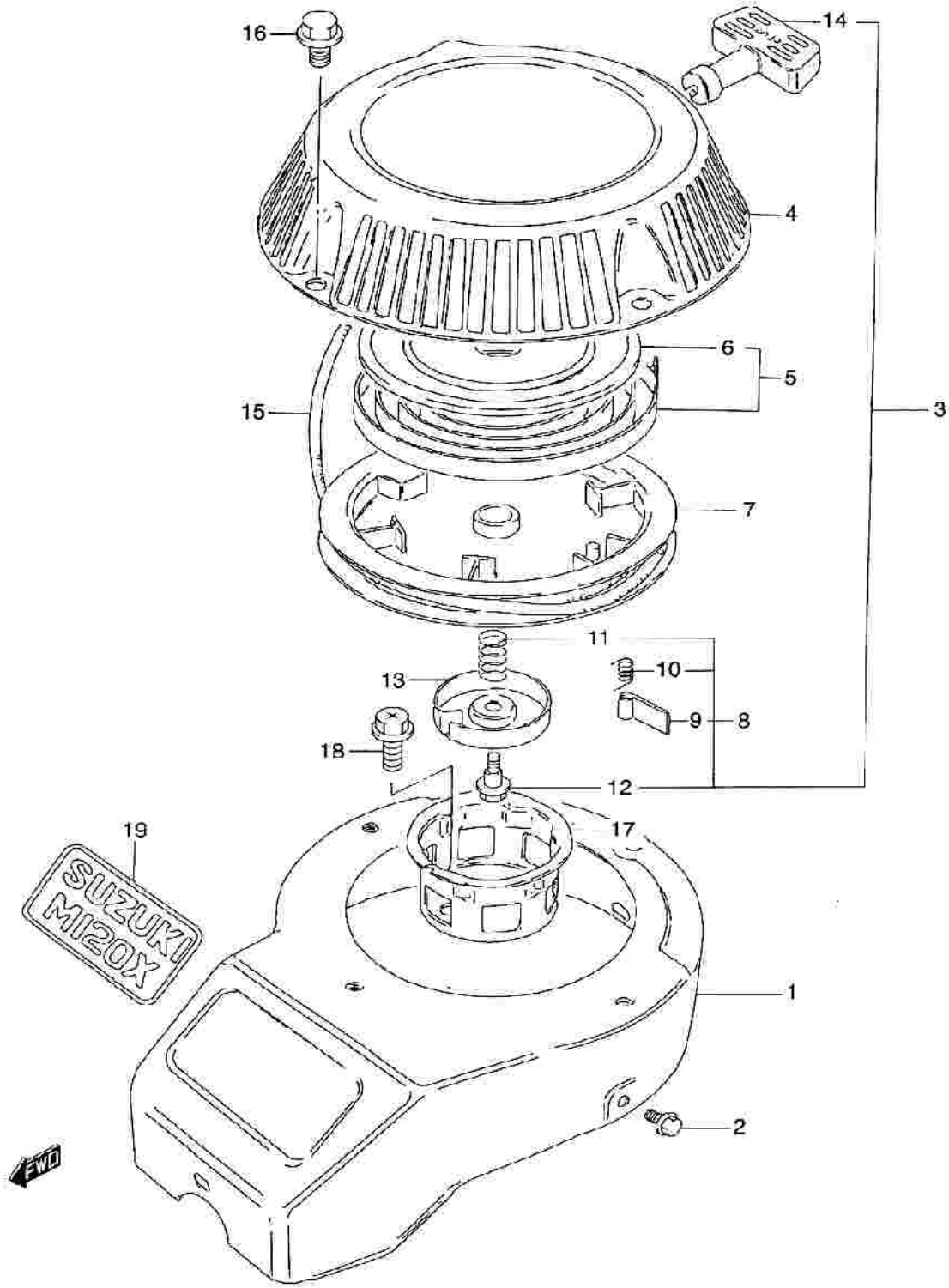
**Figure 6. Muffler**

<u>Fig</u>	<u>Scm #</u>	<u>Part #</u>	<u>Description</u>	<u>Qty</u>
6	1	14141-90610	Gasket, Muffler	1
6	2	14310-90650	Muffler	1
6	3	09108-08179	Stud Bolt (M8X131)	2
6	4	08310-00083	Nut	2
6	5	08321-01083	Lock Washer	2
6	6	14780-90610*	Cover, Muffler	1
6	7	02112-06083	Screw	2
6	8	09103-06173	Bolt, Muffler (M6X85)	1

\* Subs from 14780-90640



FIG 7



## SUZUKI M120X ENGINE PARTS MANUAL

**Figure 7. Recoil Starter**

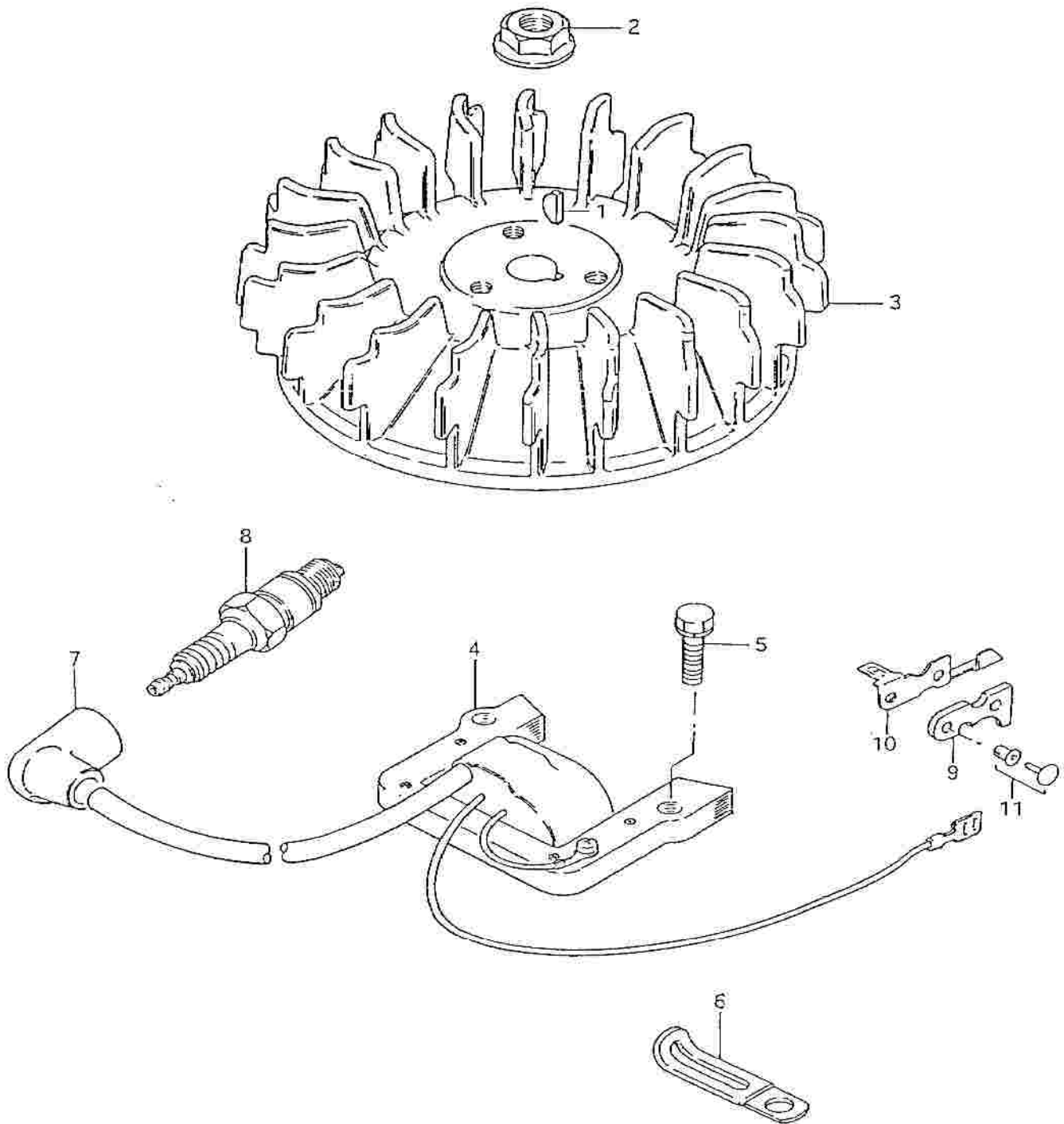
<u>Fig</u>	<u>Scm #</u>	<u>Part #</u>	<u>Description</u>	<u>Qty</u>	
7	1	17220-90612-35F	Cover, Cooling Fan	1	
7	2	09103-06181	Bolt, Cooling (M6X12)	3	
7	3	18100-90614-35F	Starter Assy, Recoil	1	
7	4	18110-90601-35F	Case	1	
7	5	18140-90601	Spring Set	1	
7	6	18143-90600	Holder	1	
7	7	18121-90604	Reel (OD:136)	1	
7	8	18130-90600	Ratchet Set (#9-12)	1	
7	9	18131-90010	Dog	1	
7	10	18132-90010	Spring, Dog	1	
7	11	18152-90600	Spring	1	
7	12	18153-90010	Screw	1	
7	13	18151-90600	Retainer	1	
7	14	18210-90011	Grip	1	
7	15	99000-81157-50M	Rope (OD:4MM)	1	no longer available
7	16	01550-06103	Bolt, Recoil Starter	4	
7	17	18211-90601	Pulley, Starter	1	
7	18	02162-06123	Bolt, Starter Pulley	3	
7	19	19811-90600	Emblem, Suzuki	1	no longer available

**FIG 8**

**HOVER MOWER**

TM

**By Eastman Industries**

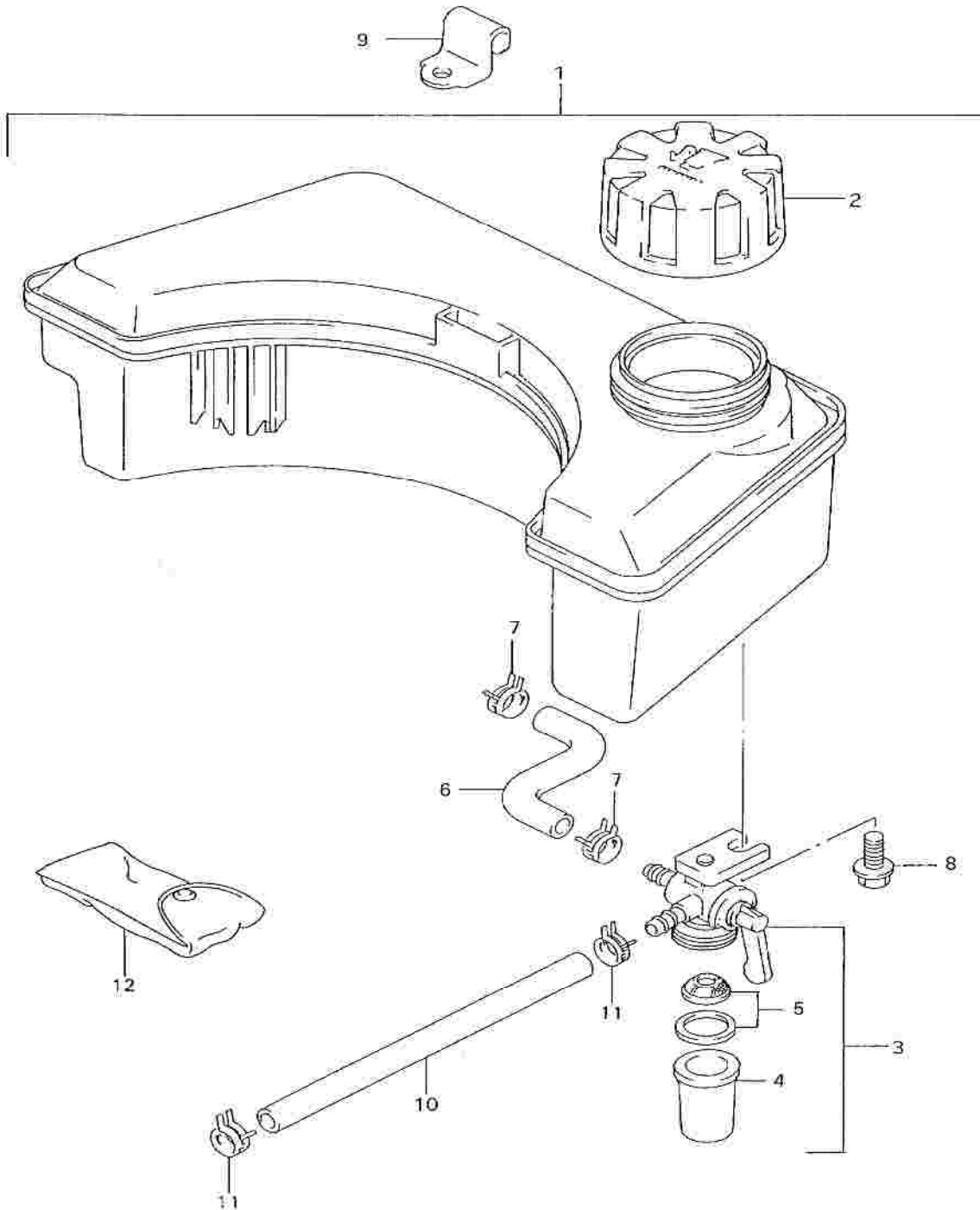


## SUZUKI M120X ENGINE PARTS MANUAL

**Figure 8. Magneto**

<u>Fig</u>	<u>Scm #</u>	<u>Part #</u>	<u>Description</u>	<u>Qty</u>
8	1	09420-03007	Key, Magneto	1
8	2	08316-10103	Nut, Magneto	1
8	3	32102-90620	Flywheel, Magneto	1
8	4	32140-90620	Coil/Transister Unit	1
8	5	01547-06203	Bolt	2
8	6	09404-06432	Clamp	1
8	7	33510-90601	Cap Assy, Spark Plug	1
8	8	09482-00261	Plug, Spark (BPMR4A)	1
8	9	19265-90610	Seat, Stop SW Terminal	1
8	10	19266-87C00	Terminal, Stop SW	1
8	11	09229-03018	Rivet	2

**FIG 9**



## SUZUKI M120X ENGINE PARTS MANUAL

**Figure 9. Fuel Tank**

<u>Fig</u>	<u>Scm #</u>	<u>Part #</u>	<u>Description</u>	<u>Qty</u>
9	1	44100-90630	Tank, Fuel With Cap	1
9	2	44210-87C30	Cap, Fuel tank	1
9	3	44300-90950	Cock, Fuel	1
9	4	44319-90950	Cup	1
9	5	44320-90950	Filter Set	1
9	6	44611-90600	Hose, Fuel (Tank To Cock)	1
9	7	09401-09403	Clip	2
9	8	02162-06103	Screw	1
9	9	44861-90610	Bracket	1
9	10	09354-53103-600	Hose	1
9	11	09401-09403	Clip	2
9	12	09800-00329	Tool Set	1
9	13	99011-90640-03A	Manual Owner's	1