

Eastman | Ingersoll

Eastman Commercial

SPX-Z & SPX-P PARTS MANUAL

*Including Kawasaki FJ180V-AM13 Engine Parts
for Eastman Industries Commercial Mower Model SPX-Z & SPX-P*

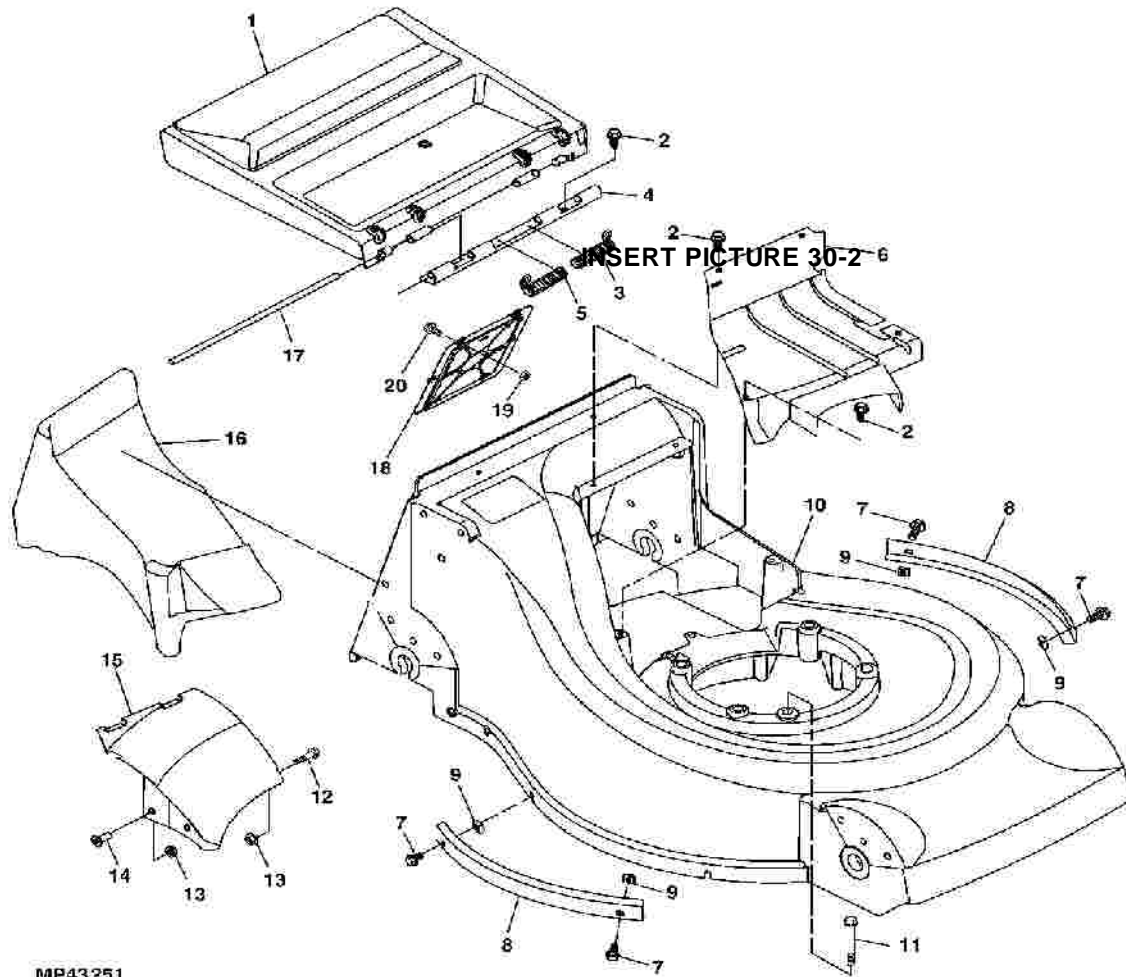


Table of Contents

| <u>Parts</u> | <u>Page</u> |
|-----------------------|-------------|
| Mower Parts | 2 - 7 |
| Cylinder/Crankcase | 8 - 9 |
| Piston/Crankcase | 10 - 11 |
| Valve/Camshaft | 12 - 13 |
| Lubrication Equipment | 14 - 15 |
| Cooling Equipment | 16 - 17 |
| Electric Equipment | 18 - 19 |
| Control Equipment | 20 - 21 |
| Carburetor | 22 - 23 |
| Air Filter/Muffler | 24 - 25 |
| Fuel Tank/Fuel Valve | 26 - 27 |
| Starter | 28 - 29 |
| Brake/Cover | 30 - 31 |
| Label | 32 - 33 |

EASTMAN INDUSTRIES
70 INGERSOLL DRIVE
PORTLAND, ME 04103
TEL (207) 878-5353
TEL (800) 760-1680
FAX (207) 878-9109
EMAIL: info@eastmanind.com
www.eastmanmowers.com

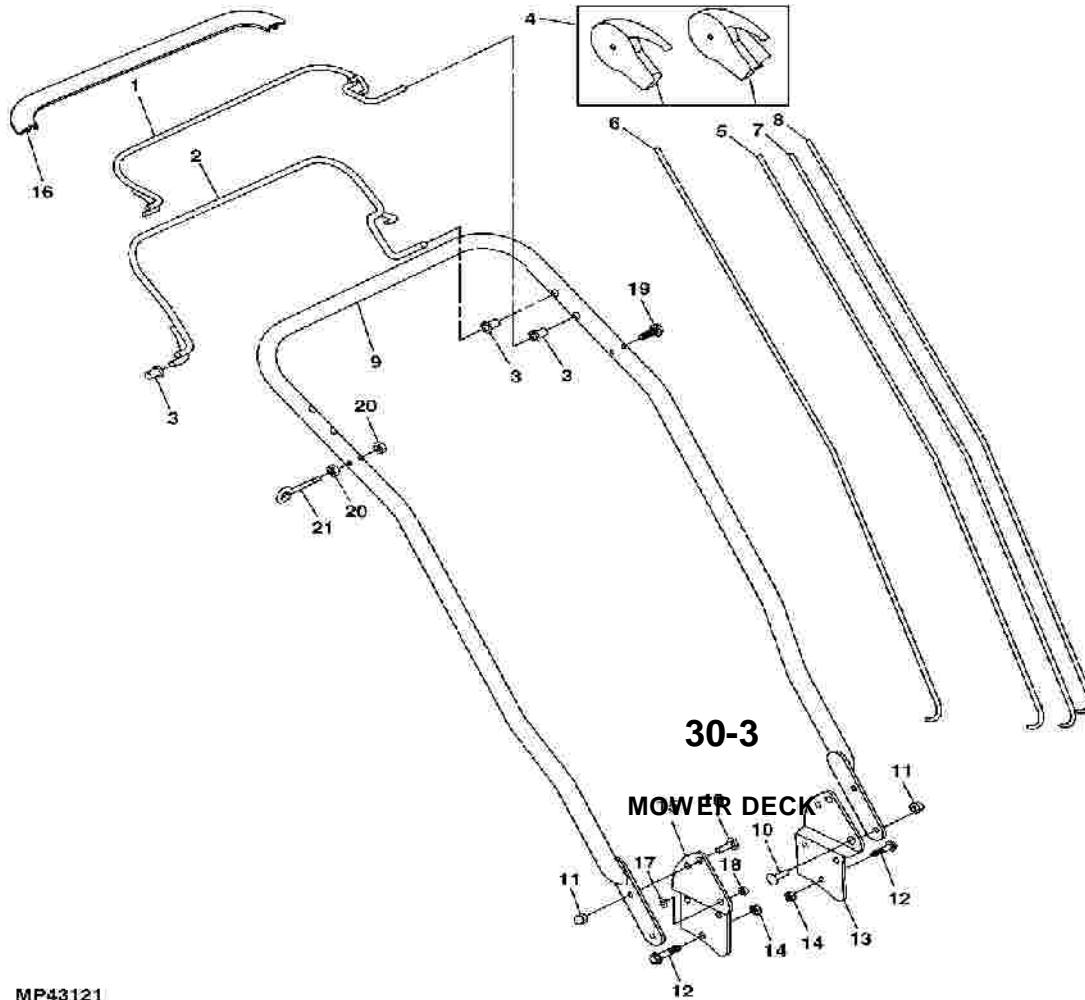
SPX-Z, -P



MP43251

MOWER DECK

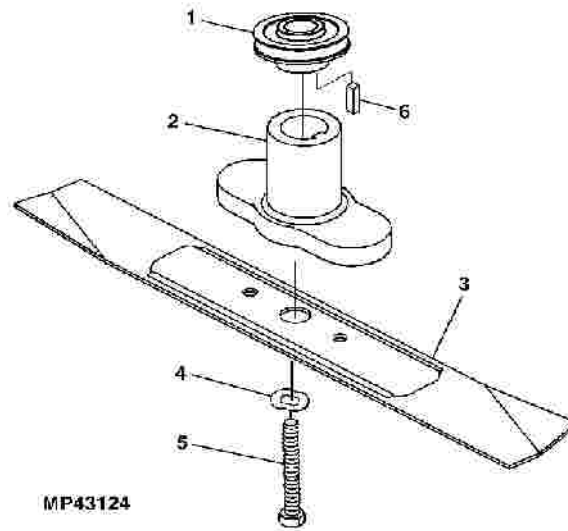
| <u>Key</u> | <u>Part #</u> | <u>Description</u> | <u>Qty</u> |
|-------------------|----------------------|---------------------------------|-------------------|
| 1 | PX5001-JDC | DOOR- DISCHARGE W/ SAFETY LABEL | 1 |
| 2 | PX5516 | SCREW | 6 |
| 3 | PX5005L | SPRING | 1 |
| 4 | PX5004 | HINGE | 1 |
| 5 | PX5005R | SPRING | 1 |
| 6 | PX5002 | COVER | 1 |
| 7 | PX5512 | BOLT | 4 |
| 8 | PX5009 | GUARD- EDGE | 2 |
| 9 | PX5513 | NUT | 4 |
| 10 | PX5040-E | MOWER DECK- W/ LABELS | 1 |
| 11 | PX5521 | BOLT, ENGINE | 1 |
| 12 | PX5520 | BOLT | 2 |
| 13 | PX5530 | NUT | 4 |
| 14 | PX5519 | SCREW | 2 |
| 15 | PX5003 | CHUTE- DISCHARGE | 1 |
| 16 | PX5000 | PLUG- MULCH | 1 |
| 17 | PX5008 | PIN | 1 |
| 18 | PX5051 | PANEL- TRANSMISSION ACCESS | 1 |
| 19 | PX5530 | NUT | 6 |
| 20 | PX5518 | CAP SCREW | 6 |



MP43121

LEVERS AND HANDLES

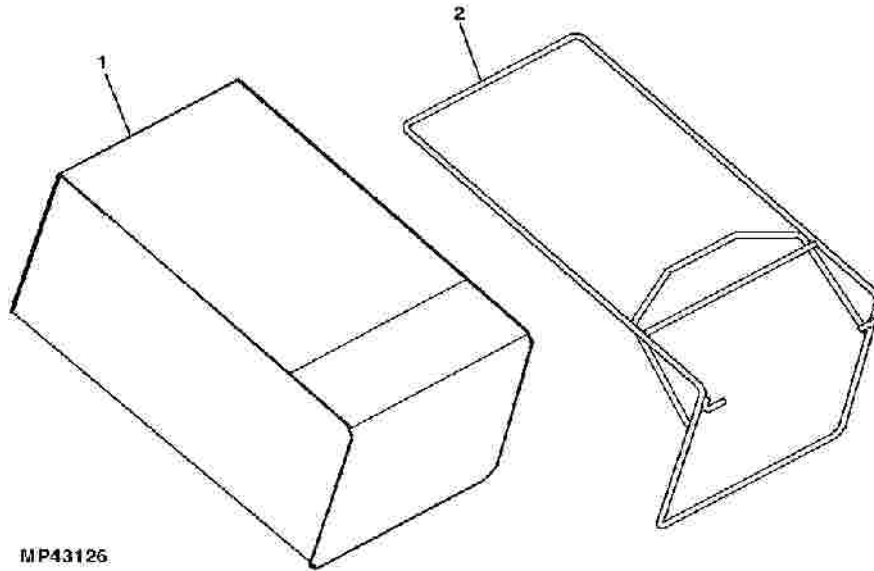
| <u>Key</u> | <u>Part #</u> | <u>Description</u> | <u>Qty</u> |
|-------------------|----------------------|---------------------------------------|-------------------|
| 1 | PX5048 | LEVER- OPC | 1 |
| 2 | PX5049 | LEVER- TRACTION | 1 |
| 3 | PX5069 | BUSHING | 4 |
| 4 | PX5079 | CONTROL- DUAL ASSEMBLY, SP & THROTTLE | 1 |
| 5 | PX5074 | CABLE- SPEED SELECT | 1 |
| 6 | PX5070 | CABLE - TRACTION CABLE (CLUTCH) | 1 |
| 7 | PX5073 | CABLE - THROTTLE CABLE | 1 |
| 8 | PX5071 | CABLE- OPC (BRAKE) | 1 |
| 9 | PX5025 | HANDLEBAR | 1 |
| 10 | PX5508 | BOLT | 4 |
| 11 | PX5507 | NUT | 4 |
| 12 | PX5506 | BOLT | 6 |
| 13 | PX5045 | BRACKET- LH | 1 |
| 14 | PX5510 | NUT | 6 |
| 15 | PX5046 | BRACKET- RH | 1 |
| 16 | PX5024 | GRIP- COVER/OPC | 1 |
| 17 | PX5533 | WASHER | 1 |
| 18 | PX5510 | NUT | 1 |
| 19 | PX5525 | SCREW | 1 |
| 20 | PX5530 | NUT | 2 |
| 21 | PX5537 | ROPE GUIDE | 1 |



MP43124

BLADE AND ADAPTER

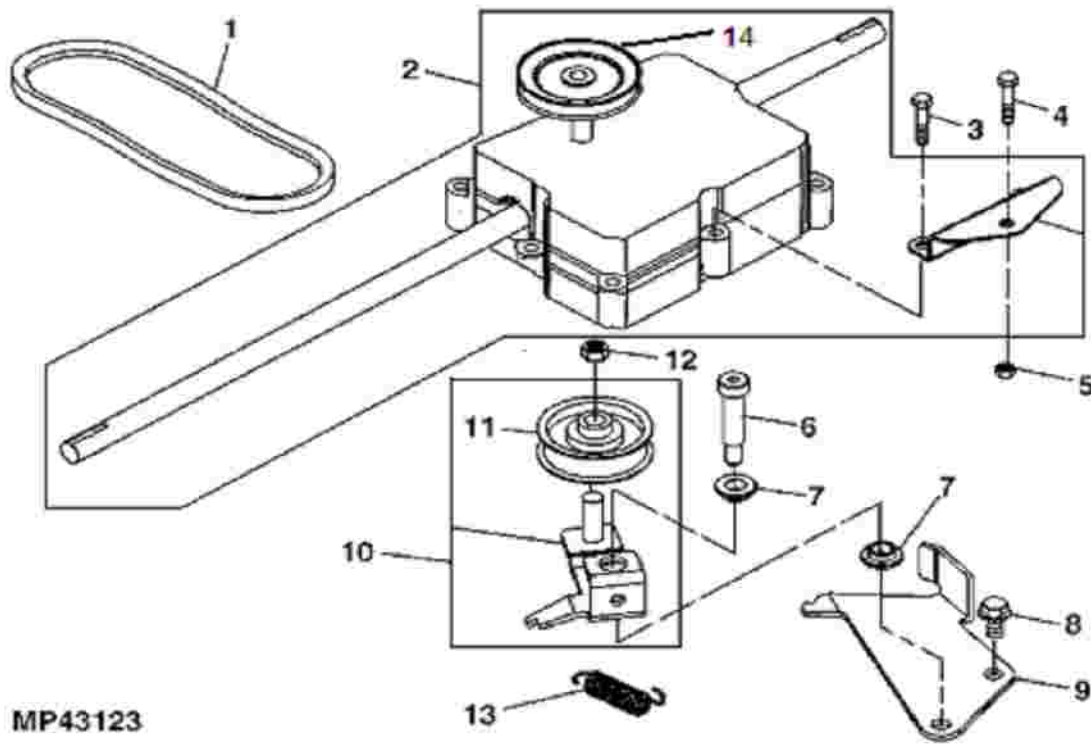
| <u>Key</u> | <u>Part #</u> | <u>Description</u> | <u>Qty</u> |
|------------|---------------|--------------------|------------|
| 1 | PX5050 | PULLEY- ENGINE | 1 |
| 2 | PX5035 | ADAPTER | 1 |
| 3 | PX5036-2 | MOWER BLADE | 1 |
| 4 | PX5037 | WASHER | 1 |
| 5 | PX5522 | BOLT | 1 |
| 6 | PX5536 | KEY | 1 |



MP43126

GRASS CATCHER

| <u>Key</u> | <u>Part #</u> | <u>Description</u> | <u>Qty</u> |
|------------|---------------|--------------------|------------|
| 1 | PX5061 | BAG | 1 |
| 2 | PX5062 | FRAME | 1 |

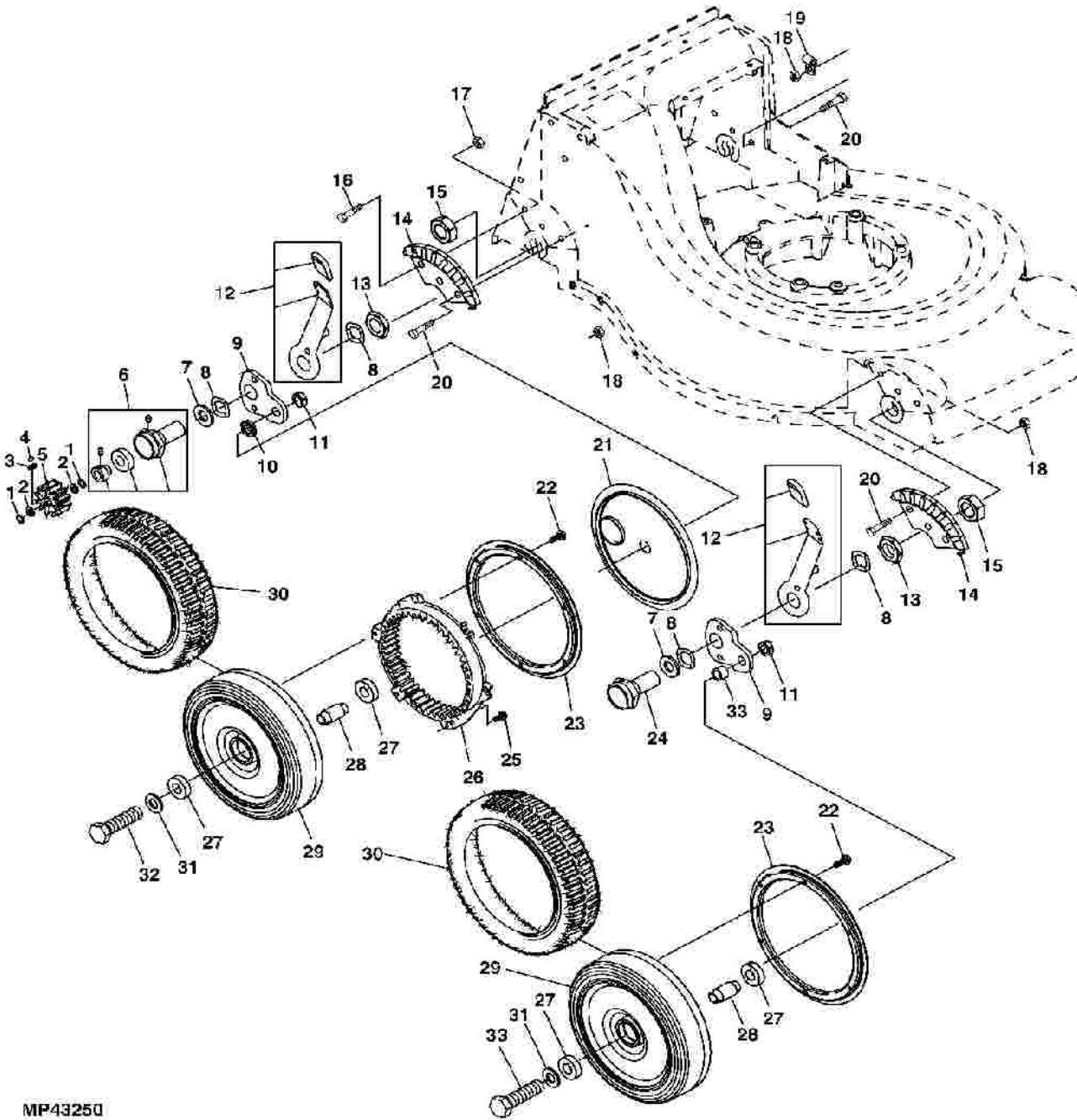


MP43123

TRANSMISSION

| <u>Key</u> | <u>Part #</u> | <u>Description</u> | <u>Qty</u> |
|-------------------|----------------------|-----------------------------|-------------------|
| 1 | PX5084 | V-BELT | 1 |
| 2 | PX5043 | TRANSMISSION | 1 |
| 3 | NSS | BOLT (PART OF TRANSMISSION) | 2 |
| 4 | PX5520 | BOLT | 1 |
| 5 | PX5530 | NUT | 1 |
| 6 | PX5092 | BOLT | 1 |
| 7 | PX5093 | BUSHING | 2 |
| 8 | PX5528 | BOLT | 1 |
| 9 | PX5091 | BRACKET | 1 |
| 10 | PX5086 | ARM | 1 |
| 11 | PX5089 | PULLEY | 1 |
| 12 | PX5539 | LOCK NUT | 1 |
| 13 | PX5094 | SPRING, IDLER | 1 |
| 14 | PX5063 | PULLEY, TRANSMISSION | 1 |

WHEELS AND AXLES



MP43250

WHEELS AND AXLES

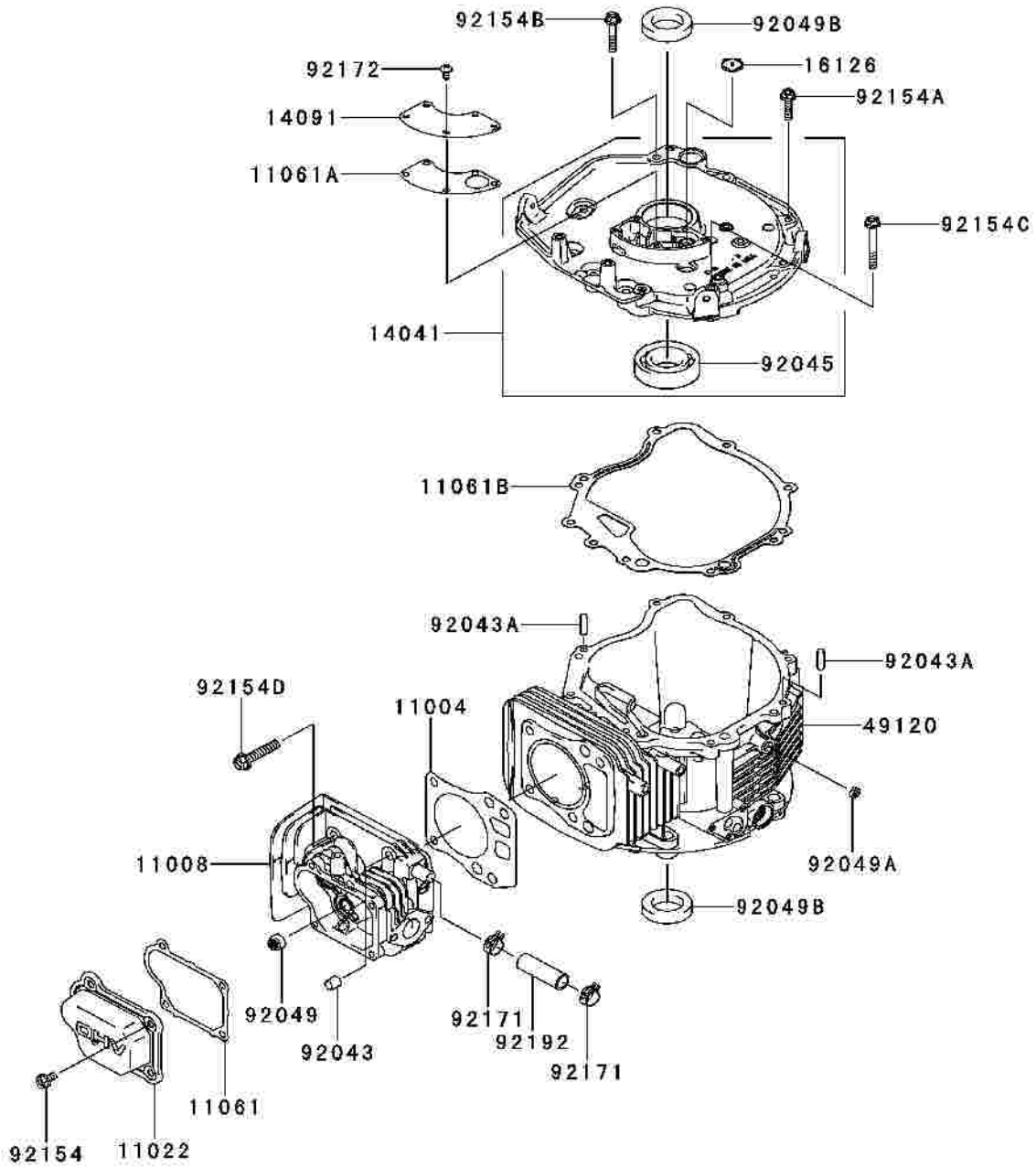
| <u>Key</u> | <u>Part #</u> | <u>Description</u> | <u>Qty</u> |
|------------|---------------|------------------------------------|------------|
| 1 | PX5511 | CLIP- C | 4 |
| 2 | PX5080 | WASHER- TANG | 4 |
| 3 | PX5039 | SPRING | 1 |
| 4 | PX5038 | SHAFT KEY | 1 |
| 5 | PX5022 | GEAR- PINION | 2 |
| 6 | PX5095 | HUB | 2 |
| 7 | PX5534 | WASHER- FLAT | 2 |
| 8 | PX5031 | WASHER | 6 |
| 9 | PX5017 | BRACKET | 4 |
| 10 | PX5034 | SPACER | 4 |
| 11 | PX5504 | NUT | 4 |
| 12 | PX5018 | LEVER | 4 |
| 13 | PX5029 | NUT- THIN | 4 |
| 14 | PX5021 | LOCATOR- HEIGHT ADJUSMENT | 4 |
| 15 | PX5527 | NUT | 4 |
| 16 | PX5505 | BOLT, WHEEL LOCATOR | 1 |
| 17 | PX5531 | NUT | 1 |
| 18 | PX5509 | NUT | 11 |
| 19 | PX5542 | J CLIP | 1 |
| 20 | PX5529 | BOLT, LOCATOR | 11 |
| 21 | PX5006 | COVER- DUST | 4 |
| 22 | PX5514 | SCREW | 24 |
| 23 | PX5028 | RING | 4 |
| 24 | PX5033 | HUB- FRONT | 2 |
| 25 | PX5515 | SCREW | 12 |
| 26 | PX5007 | GEAR- REAR | 2 |
| 27 | PX5013 | BEARING | 8 |
| 28 | PX5014 | SPACER, BUSHING | 4 |
| 29 | PX5012 | WHEEL- ALUMINIUM (SEE BELOW) | 4 |
| 29 | PX5012-ESP | WHEEL - ALUM W/ BEARINGS & BUSHING | 4 |
| 30 | PX5011 | TIRE | 4 |
| 31 | PX5526 | WASHER | 4 |
| 32 | PX5502 | BOLT- REAR | 2 |
| 33 | PX5500 | BOLT- FRONT | 2 |
| 33 | PX5032 | FRONT SPACER | 2 |

LABELS

| <u>Key</u> | <u>Part #</u> | <u>Description</u> | <u>Qty</u> |
|------------|---------------|--------------------------------|------------|
| | PX5105-C | LABEL, caution block wheels | 1 |
| | PX5110 | LABEL, spark warning | 1 |
| | PX5105-D | LABEL, danger, red | 1 |
| | PX5105-E | LABEL, danger, rotating blades | 1 |
| | PX5105-B | LABEL, yellow caution | 1 |
| | PX5105-A | LABEL, danger, red | 1 |
| | PX5114 | LABEL, Eastman Logo | 1 |
| | PX5108 | LABEL, SPX-B logo | 1 |
| | PX5109 | LABEL, SPX-Z logo | 1 |
| | PX5113 | LABEL, SPX-P logo | 1 |

KAWASAKI FJ180V-AM13 ENGINE PARTS MANUAL

E0110-A684A



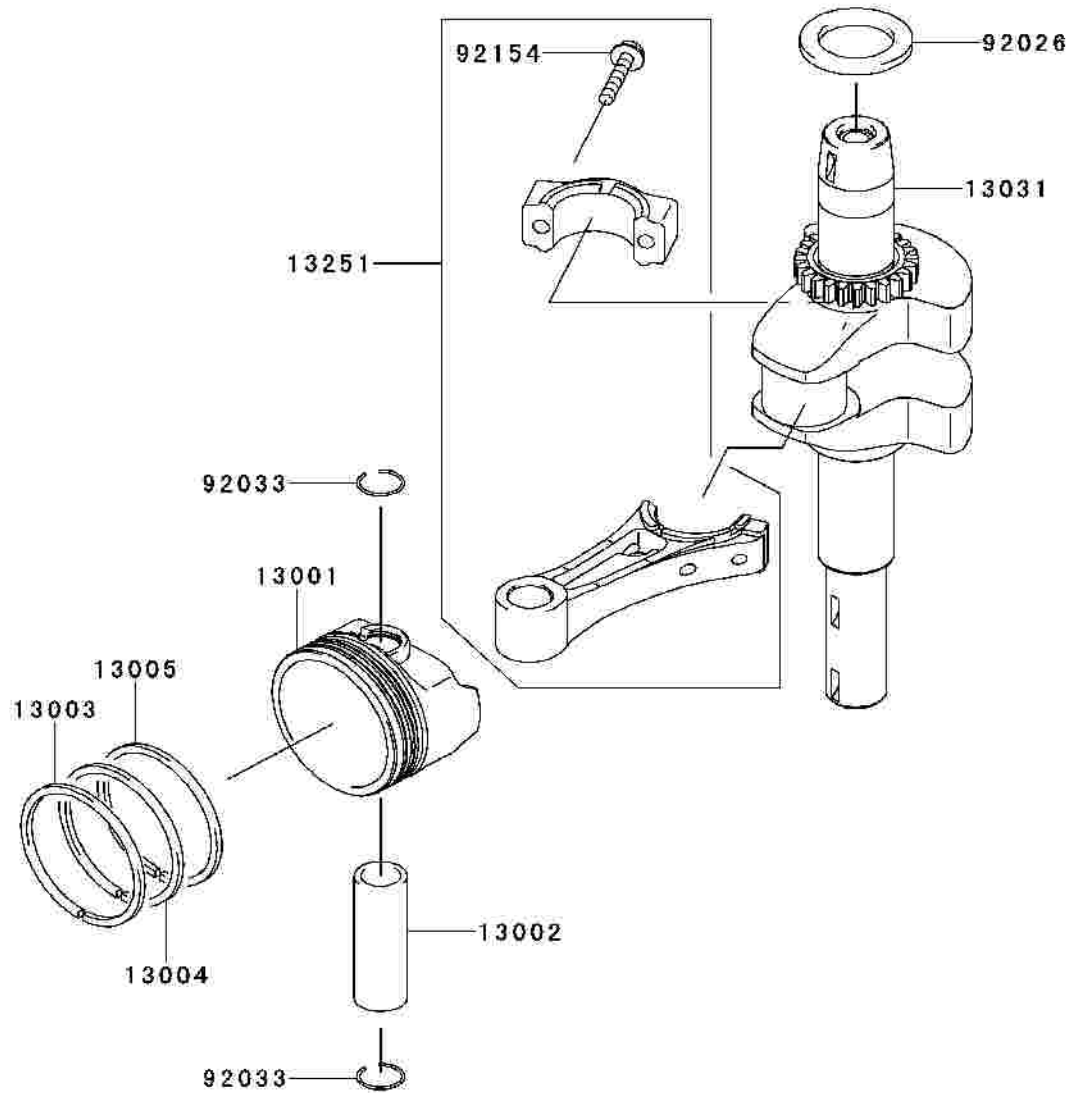
KAWASAKI FJ180V-AM13 ENGINE PARTS MANUAL

Figure B-03 CYLINDER/CRANKCASE

| <u>Figure #</u> | <u>Part #</u> | <u>Description</u> | <u>Qty</u> |
|-----------------|---------------|-------------------------|------------|
| B-03 | 11004-2146 | Gasket-Head | 1 |
| B-03 | 11008-2171 | Head-Comp-Cylinder | 1 |
| B-03 | 11022-2083 | Case, Rocker | 1 |
| B-03 | 11061-2210 | Gasket, Case-Rocker | 1 |
| B-03 | 11061-2213 | Gasket, Breather | 1 |
| B-05 | 11061-2242 | Gasket, Cover-Crankcase | 1 |
| B-03 | 14041-2058 | Cover-Comp | 1 |
| B-03 | 14091-2138 | Cover,Breather | 1 |
| B-03 | 16126-2247 | Valve, Breather | 1 |
| B-03 | 49120-2358 | Crankcase-Comp | 1 |
| B-03 | 92043-2261 | Pin 10x12 | 2 |
| B-03 | 92043-2263 | Pin 6x12 | 2 |
| B-03 | 92045-1207 | Bearing, Ball, 62/28 | 1 |
| B-03 | 92049-2272 | Seal-Oil | 1 |
| B-03 | 92049-2273 | Seal-Oil 6x10x2.5 | 1 |
| B-03 | 92048-7008 | Seal-Oil 28-44-9 tc | 2 |
| B-03 | 92154-2003 | Bolt, 6x12 | 4 |
| B-03 | 92154-2011 | Bolt, 6x25 | 7 |
| B-03 | 92154-2012 | Bolt, 6x35 | 1 |
| B-03 | 92154-2002 | Bolt, 6x50 | 1 |
| B-03 | 92154-2028 | Bot, 8x45 | 4 |
| B-03 | 92171-2088 | Clamp | 2 |
| B-03 | 92172-2108 | Screw 5x10 | 5 |
| B-03 | 92192-2184 | Tube-12x16x49 | 1 |

KAWASAKI FJ180V-AM13 ENGINE PARTS MANUAL

E0120-A404B

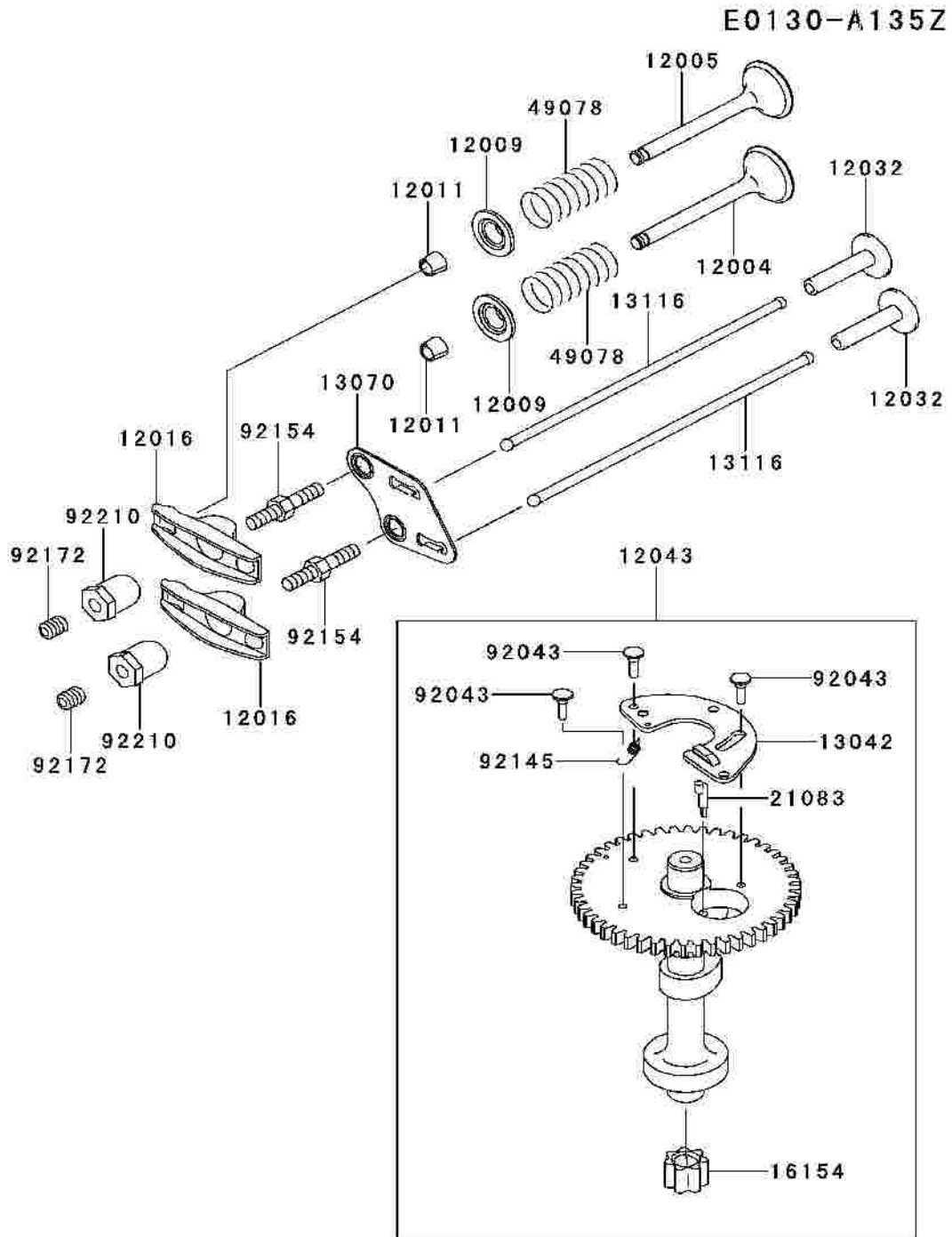


KAWASAKI FJ180V-AM13 ENGINE PARTS MANUAL

Figure B-04 PISTON/CRANKSHAFT

| <u>Figure #</u> | <u>Part #</u> | <u>Description</u> | <u>Qty</u> |
|-----------------|---------------|---------------------|------------|
| B-04 | 13001-2175 | Piston-Engine | 1 |
| B-04 | 13002-2102 | Pin-Piston | 1 |
| B-04 | 13003-2228 | Ring-Piston Top | 1 |
| B-04 | 13004-2182 | Ring-Piston Second | 1 |
| B-04 | 13005-2187 | Ring-Piston Oil | 1 |
| B-04 | 13031-2130 | Crankshaft-Comp | 1 |
| B-04 | 13251-2083 | Rod-Assy-Connecting | 1 |
| B-04 | 92026-2361 | Spacer,28X41.5X3.6 | 1 |
| B-04 | 92033-2199 | Ring-Snap | 2 |
| B-04 | 92154-2010 | Bolt,6X30 | 2 |

KAWASAKI FJ180V-AM13 ENGINE PARTS MANUAL



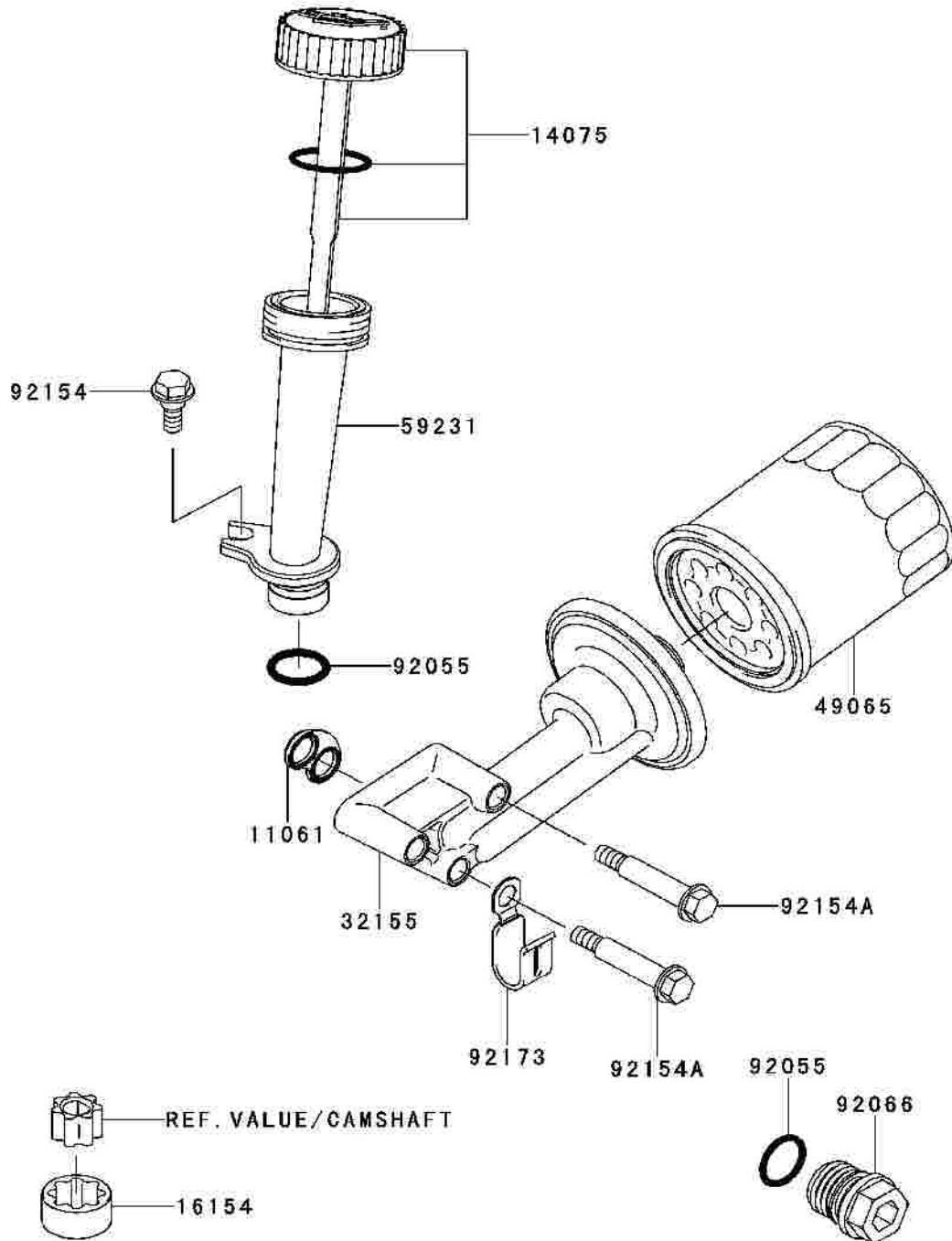
KAWASAKI FJ180V-AM13 ENGINE PARTS MANUAL

Figure B-05 VALVE/CAMSHAFT

| <u>Figure #</u> | <u>Part #</u> | <u>Description</u> | <u>Qty</u> |
|-----------------|---------------|-----------------------|------------|
| B-05 | 12004-2119 | Valve-Intake | 1 |
| B-05 | 12005-2105 | Valve-Exhaust | 1 |
| B-05 | 12009-2072 | Retainer-Valve Spring | 2 |
| B-05 | 12011-2056 | Collet | 4 |
| B-05 | 12016-2067 | Arm-Rocker | 2 |
| B-05 | 12032-2074 | Tappet | 2 |
| B-05 | 12043-2001 | Camshaft-Assy-Valve | 1 |
| B-05 | 13042-2121 | Weight | 1 |
| B-05 | 13070-2118 | Guide | 1 |
| B-05 | 13116-2076 | Rod-Push | 2 |
| B-05 | 16154-7004 | Rotor-Pump | 1 |
| B-05 | 21083-2088 | Arm | 1 |
| B-05 | 49078-2089 | Spring-Engine Valve | 2 |
| B-05 | 92043-2262 | Pin | 3 |
| B-05 | 92145-2179 | Spring | 1 |
| B-05 | 92154-2009 | Bolt | 2 |
| B-05 | 92172-2107 | Screw | 2 |
| B-05 | 92210-2123 | Nut,M6 | 2 |

KAWASAKI FJ180V-AM13 ENGINE PARTS MANUAL

E0140-A398D



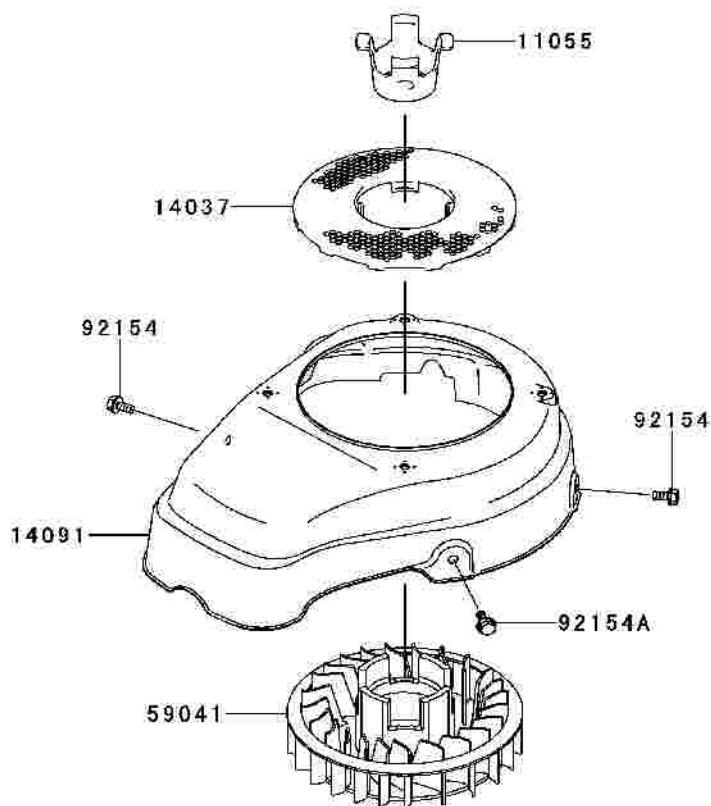
KAWASAKI FJ180V-AM13 ENGINE PARTS MANUAL

Figure B-06 LUBRICATION EQUIPMENT

| <u>Figure #</u> | <u>Part #</u> | <u>Description</u> | <u>Qty</u> |
|-----------------|---------------|--------------------|------------|
| B-06 | 11061-2222 | Gasket | 1 |
| B-06 | 14075-2060 | Cap-Assy | 1 |
| B-06 | 16154-7002 | Rotor-Pump | 1 |
| B-06 | 32155-2012 | Pipe | 1 |
| B-06 | 49065-7010 | Filter-Oil | 1 |
| B-06 | 59231-2099 | Filler | 1 |
| B-06 | 92055-2214 | Ring-O,15.8X2.4 | 2 |
| B-06 | 92066-2257 | Plug | 1 |
| B-06 | 92154-2006 | Bolt,M6 | 1 |
| B-06 | 92154-2027 | Bolt,6X43 | 3 |
| B-06 | 92173-2002 | Clamp | 1 |

KAWASAKI FJ180V-AM13 ENGINE PARTS MANUAL

E0150-A799B



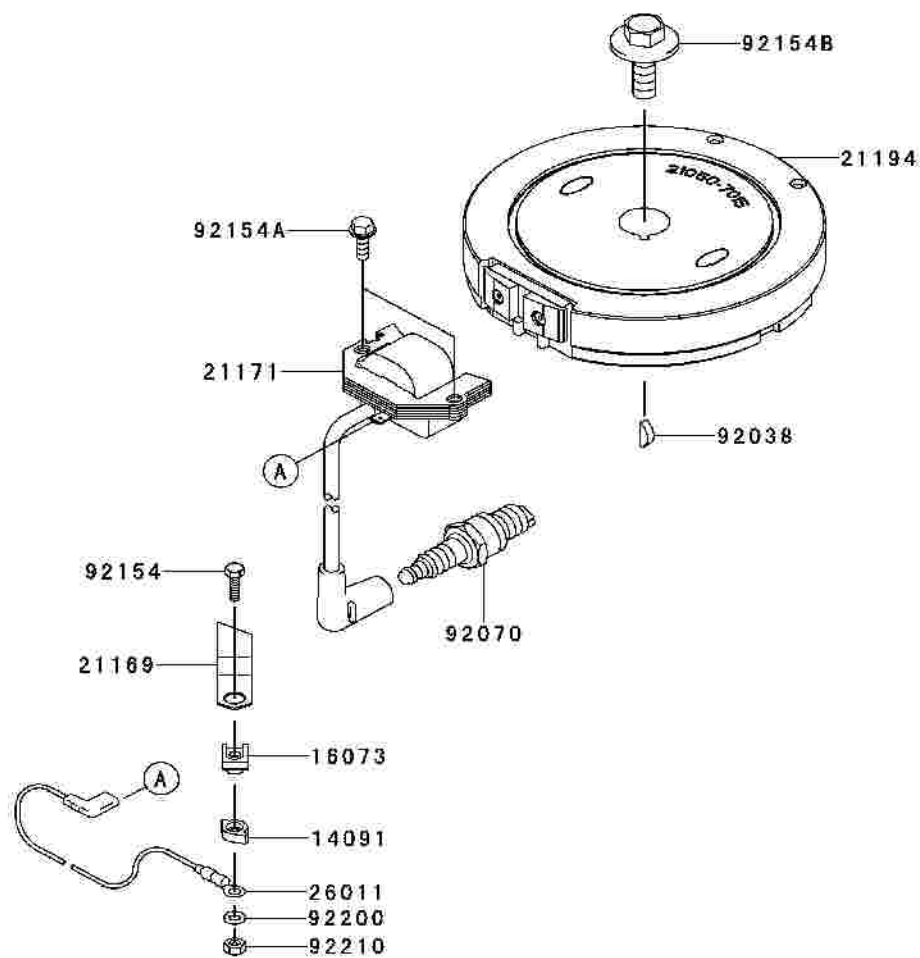
KAWASAKI FJ180V-AM13 ENGINE PARTS MANUAL

Figure B-07 COOLING EQUIPMENT

| <u>Figure #</u> | <u>Part #</u> | <u>Description</u> | <u>Qty</u> |
|-----------------|---------------|--------------------|------------|
| B-07 | 11055-2014 | Bracket,Fan | 1 |
| B-07 | 14037-2154 | Screen | 1 |
| B-07 | 14091-2145 | Cover | 1 |
| B-07 | 59041-2098 | Fan | 1 |
| B-07 | 92145-2003 | Bolt,6X12 | 2 |
| B-07 | 92145-2006 | Bolt,M6 | 1 |

KAWASAKI FJ180V-AM13 ENGINE PARTS MANUAL

E0160-B181B



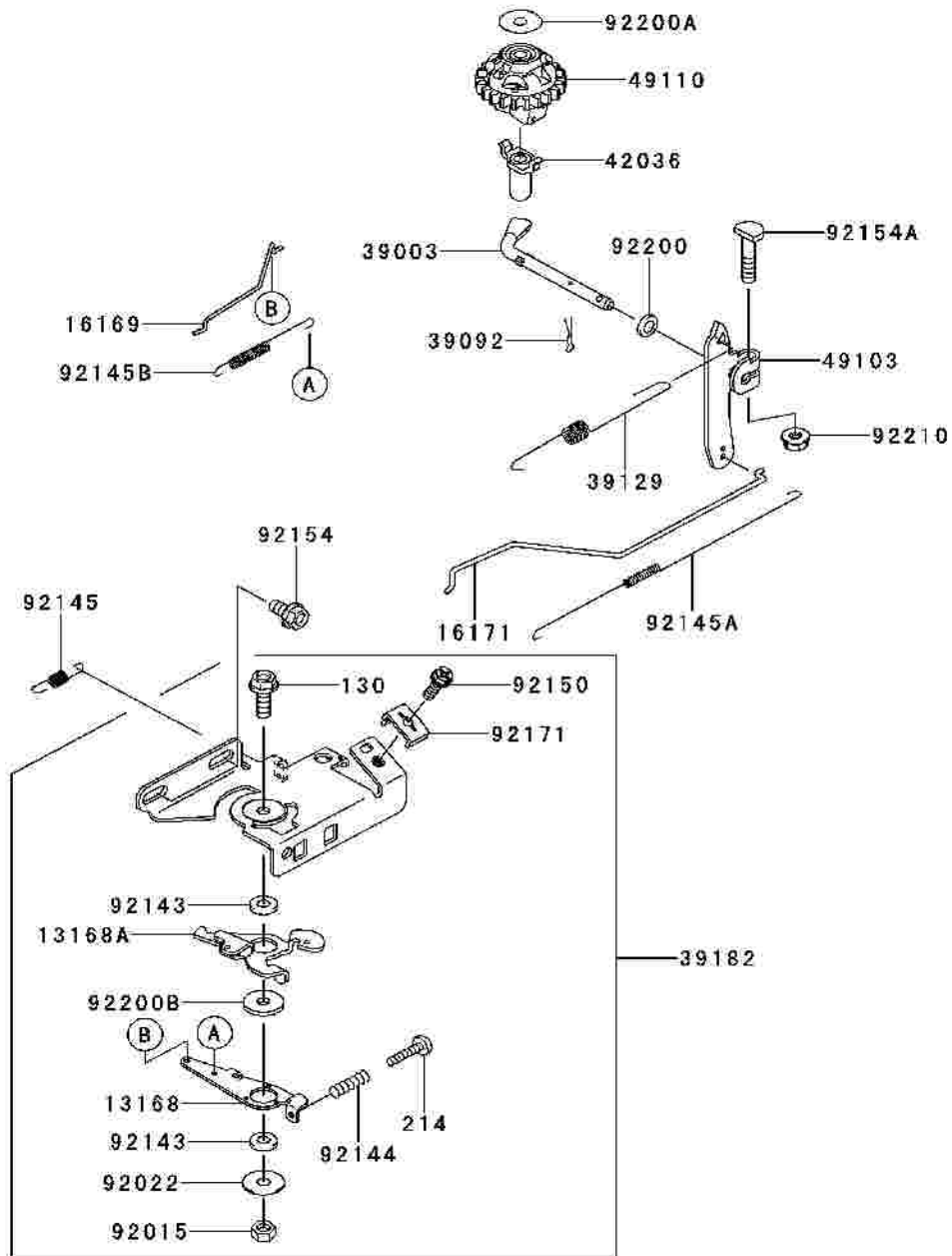
KAWASAKI FJ180V-AM13 ENGINE PARTS MANUAL

Figure B-08 ELECTRIC EQUIPMENT

| <u>Figure #</u> | <u>Part #</u> | <u>Description</u> | <u>Qty</u> |
|-----------------|---------------|------------------------|------------|
| B-08 | 14090-2141 | Cover | 1 |
| B-08 | 16073-2241 | Insulator | 1 |
| B-08 | 21169-2077 | Terminal | 1 |
| B-08 | 21171-2267 | Coil-Assy-Ignition | 1 |
| B-08 | 21194-2355 | Flywheel-Comp | 1 |
| B-08 | 26011-2390 | Wire-Lead | 1 |
| B-08 | 92038-2107 | Key | 1 |
| B-08 | 92070-2119 | Plug-Spark,BPR5ES(NGK) | 1 |
| B-08 | 92154-2014 | Bolt,4X16 | 1 |
| B-08 | 92154-2016 | Bolt,6X20 | 2 |
| B-08 | 92154-2017 | Bolt,12X30 | 1 |
| B-08 | 92200-2183 | Washer,4.5X8X0.5 | 1 |
| B-08 | 92210-2126 | Nut,M4 | 1 |

KAWASAKI FJ180V-AM13 ENGINE PARTS MANUAL

E0170-A656B



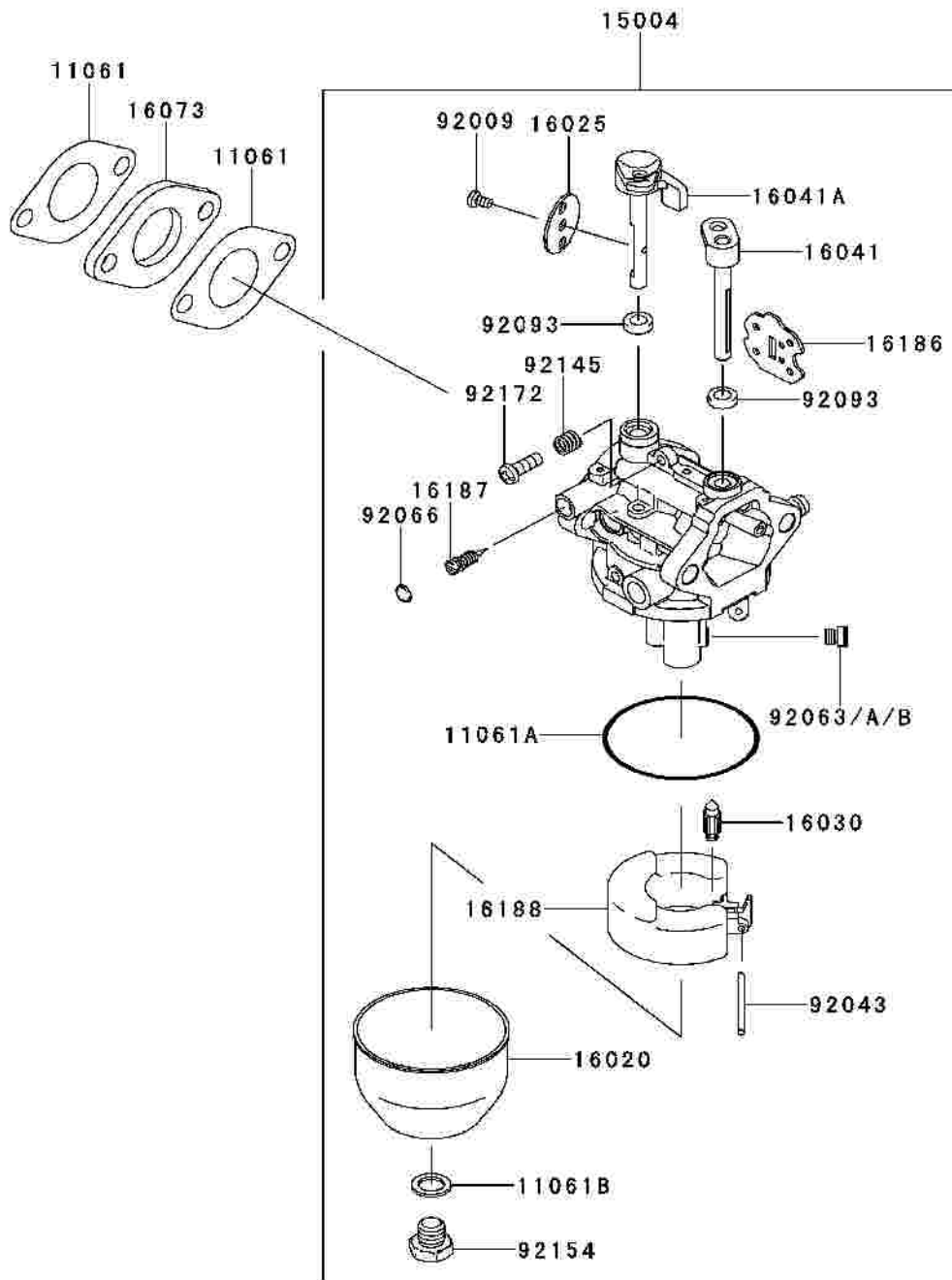
KAWASAKI FJ180V-AM13 ENGINE PARTS MANUAL

Figure B-09 CONTROL- EQUIPMENT

| <u>Figure #</u> | <u>Part #</u> | <u>Description</u> | <u>Qty</u> |
|-----------------|---------------|--------------------|------------|
| B-09 | 13168-2518 | Lever | 1 |
| B-09 | 13168-2519 | Lever | 1 |
| B-09 | 16169-2148 | Link-Choke | 1 |
| B-09 | 16171-2106 | Link,Throttle | 1 |
| B-09 | 39003-2104 | Arm-Pivot | 1 |
| B-09 | 39092-2055 | Pin-Hair | 1 |
| B-09 | 39129-2131 | Spring-Governor | 1 |
| B-09 | 39182-2195 | Panel-Assy-Control | 1 |
| B-09 | 42036-2051 | Sleeve | 1 |
| B-09 | 49103-2177 | Arm-Governor | 1 |
| B-09 | 49110-2102 | Govenor-Assy | 1 |
| B-09 | 92015-2051 | Nut | 1 |
| B-09 | 92022-2372 | Washer,6x19x1.2 | 1 |
| B-09 | 92143-2135 | Collar,6x13x2.3 | 2 |
| B-09 | 92144-2266 | Spring | 1 |
| B-09 | 92145-2180 | Spring | 1 |
| B-09 | 92145-2182 | Spring,Throttle | 1 |
| B-09 | 92145-2185 | Spring | 1 |
| B-09 | 92150-2182 | Bolt,5X18 | 1 |
| B-09 | 92154-2003 | Bolt,6X12 | 2 |
| B-09 | 92154-2018 | Bolt,6X28 | 1 |
| B-09 | 92171-7016 | Clamp | 1 |
| B-09 | 92200-2184 | Washer,6.5X11.5X2 | 1 |
| B-09 | 92200-2185 | Washer,6.2X20X0.5 | 1 |
| B-09 | 92200-7047 | Washer | 1 |
| B-09 | 92210-2121 | Nut,M6 | 1 |
| B-09 | 130AA0618 | Bolt-Flagged,6X18 | 1 |
| B-09 | 214AA0420 | Screw-Pan+-,4X20 | 1 |

KAWASAKI FJ180V-AM13 ENGINE PARTS MANUAL

E0180-A862A



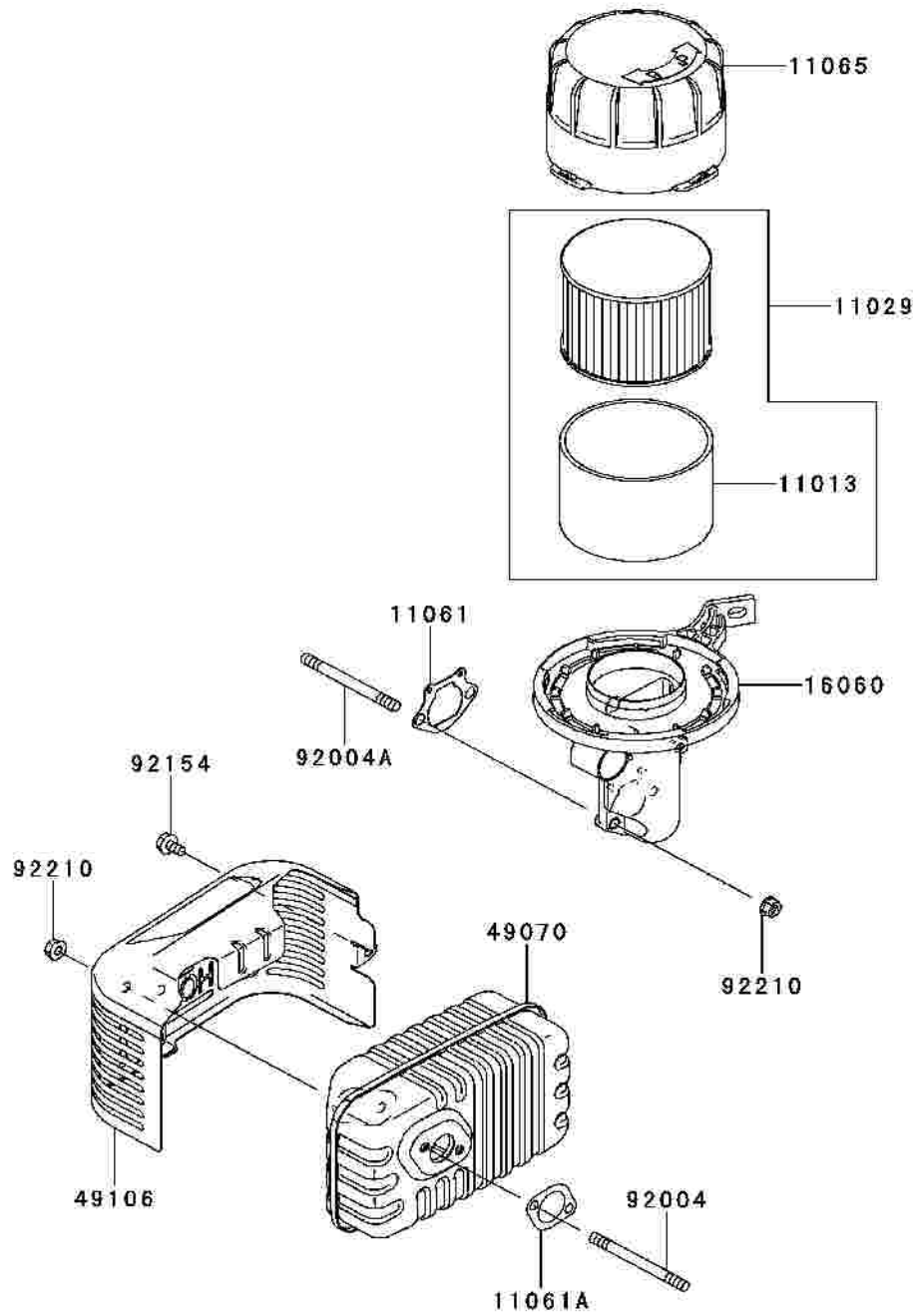
KAWASAKI FJ180V-AM13 ENGINE PARTS MANUAL

Figure B-10 CARBURETOR

| <u>Figure #</u> | <u>Part #</u> | <u>Description</u> | <u>Qty</u> |
|-----------------|---------------|---------------------|------------|
| B-10 | 11061-2215 | Gasket,Insulator | 2 |
| B-10 | 11061-2238 | Gasket | 1 |
| B-10 | 11061-7045 | Gasket,Center Post | 1 |
| B-10 | 15004-2072 | Carburetor-Assy | 1 |
| B-10 | 16020-2156 | Chamber-Float | 1 |
| B-10 | 16025-2213 | Valve-Throttle | 1 |
| B-10 | 16030-7004 | Valve-Float | 1 |
| B-10 | 16041-2265 | Shaft-Carburetor | 1 |
| B-10 | 16041-2267 | Shaft-Carburetor | 1 |
| B-10 | 16073-2240 | Insulator | 1 |
| B-10 | 16186-2052 | Valve-Assy-Choke | 1 |
| B-10 | 16187-7002 | Needle-Jet | 1 |
| B-10 | 16188-2001 | Float | 1 |
| B-10 | 92009-2049 | Screw | 1 |
| B-10 | 92043-2274 | Pin | 1 |
| B-10 | 92063-2497 | Jet-Main,#81 | 1 |
| B-10 | 92063-2498 | Jet-Main,#79,3280FT | AR |
| B-10 | 92063-2499 | Jet-Main,#77,6560FT | AR |
| B-10 | 92066-7009 | Plug,Expansion | 1 |
| B-10 | 92093-2135 | Seal | 2 |
| B-10 | 92145-2202 | Spring | 1 |
| B-10 | 92154-2049 | Bolt | 1 |
| B-10 | 92172-2132 | Screw | 1 |

KAWASAKI FJ180V-AM13 ENGINE PARTS MANUAL

E0190-B193A



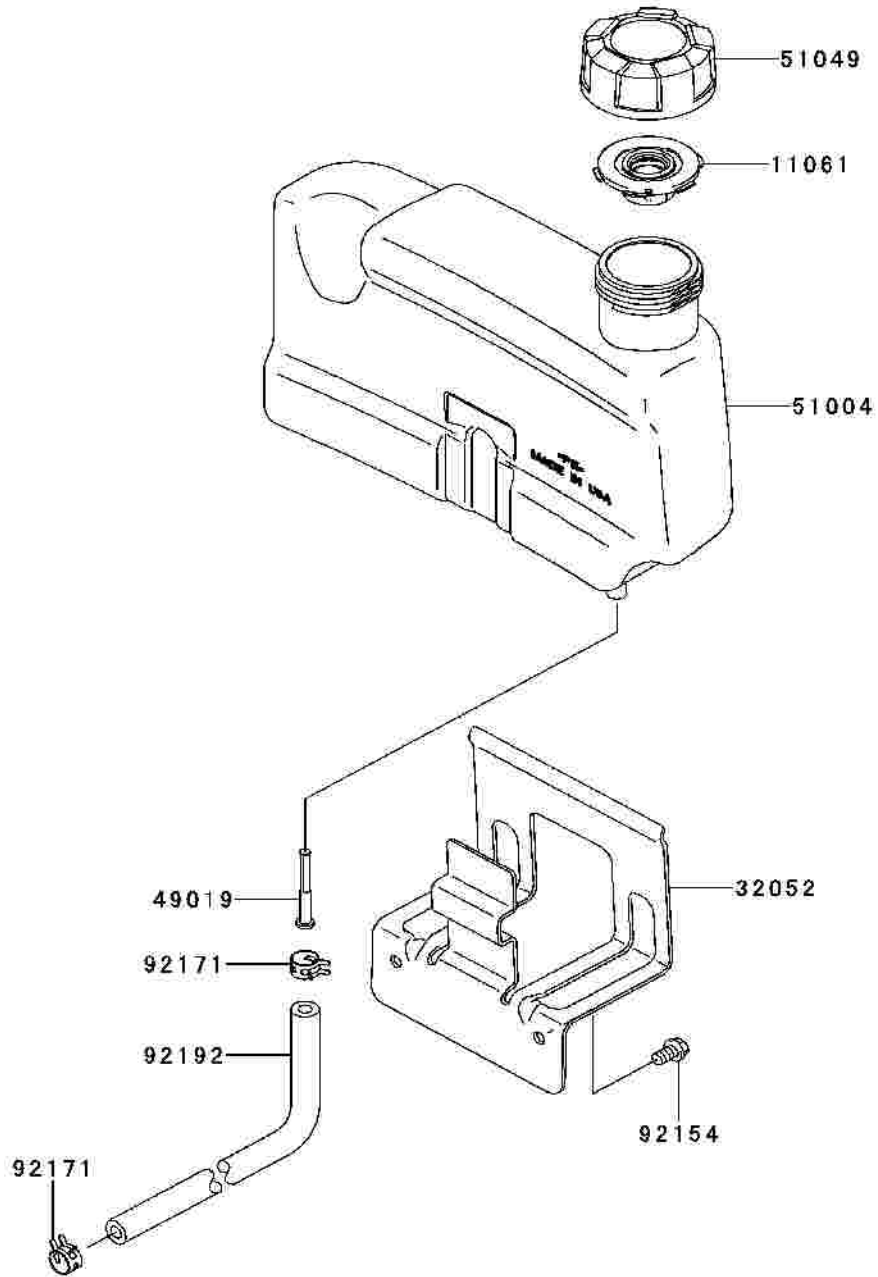
KAWASAKI FJ180V-AM13 ENGINE PARTS MANUAL

Figure B-11 AIR FILTER/MUFFLER

| <u>Figure #</u> | <u>Part #</u> | <u>Description</u> | <u>Qty</u> |
|-----------------|---------------|-------------------------|------------|
| B-11 | 11013-7037 | Element-Air Filter | 1 |
| B-11 | 11029-7023 | Element-Assy-Air Filter | 1 |
| B-11 | 11061-2211 | Gasket,Pipe Intake | 1 |
| B-11 | 11061-2212 | Gasket,Muffler | 1 |
| B-11 | 11065-2135 | Cap,Air Filter | 1 |
| B-11 | 16060-2219 | Pipe,Intake | 1 |
| B-11 | 49070-2792 | Muffler-Comp | 1 |
| B-11 | 49106-2676 | Cover-Muffler | 1 |
| B-11 | 92004-2162 | Stud,6X80 | 2 |
| B-11 | 92004-2164 | Stud,6X75 | 2 |
| B-11 | 92154-2004 | Bolt,6X10 | 1 |
| B-11 | 92210-2121 | Nut,M6 | 4 |

KAWASAKI FJ180V-AM13 ENGINE PARTS MANUAL

E0200-A605C



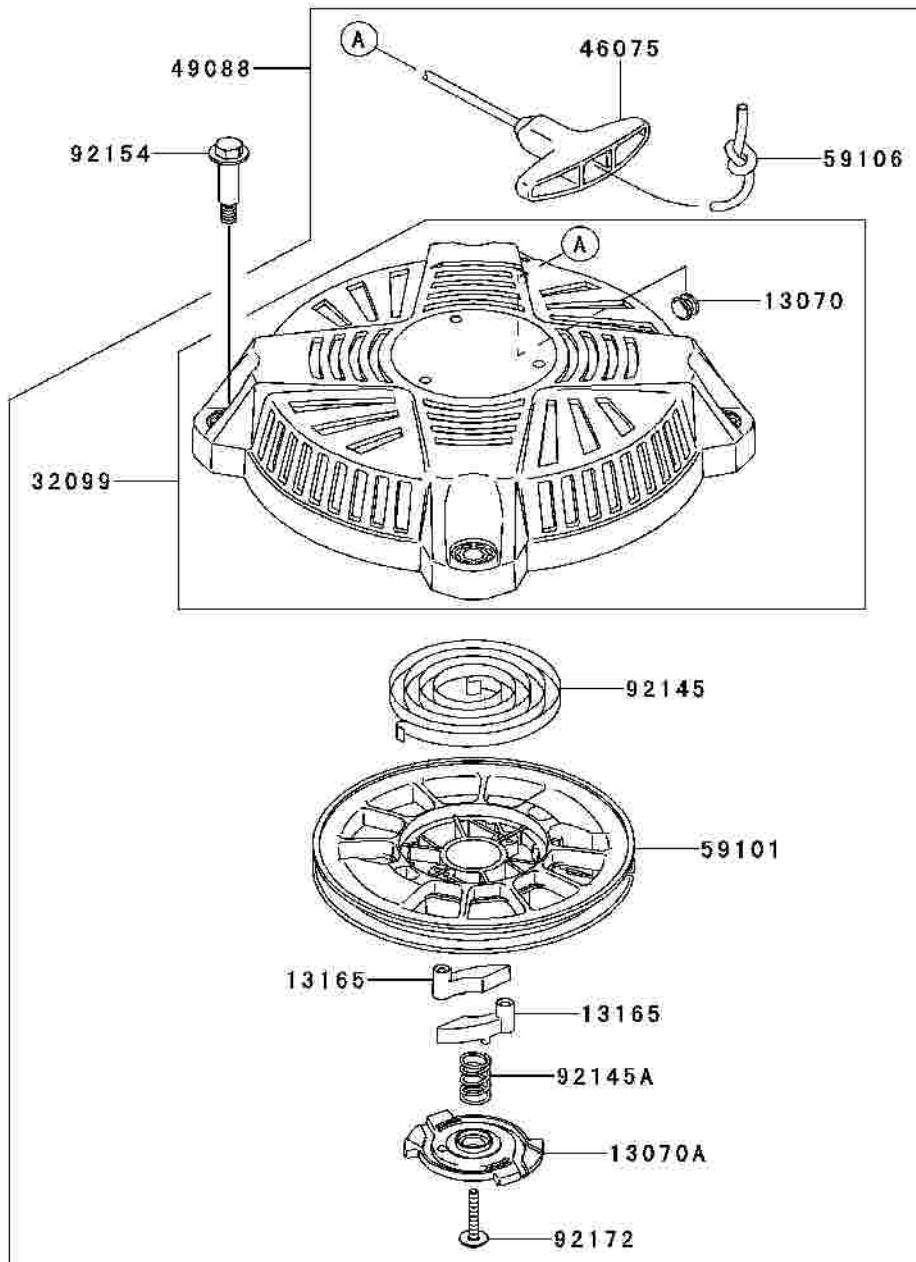
KAWASAKI FJ180V-AM13 ENGINE PARTS MANUAL

Figure C-03 FUEL TANK/FUEL VALVE

| <u>Figure #</u> | <u>Part #</u> | <u>Description</u> | <u>Qty</u> |
|-----------------|---------------|--------------------|------------|
| C-03 | 11061-2216 | Gasket | 1 |
| C-03 | 32052-2230 | Bracket-Tank | 1 |
| C-03 | 49019-2119 | Filter-Fuel | 1 |
| C-03 | 51004-2117 | Tank-Fuel | 1 |
| C-03 | 51049-2106 | Cap-Tank | 1 |
| C-03 | 92154-2004 | Bolt,6X10 | 2 |
| C-03 | 92171-2090 | Clamp | 2 |
| C-03 | 92192-2198 | Tube,6.35X12.7X375 | 1 |

KAWASAKI FJ180V-AM13 ENGINE PARTS MANUAL

E0210-A509A



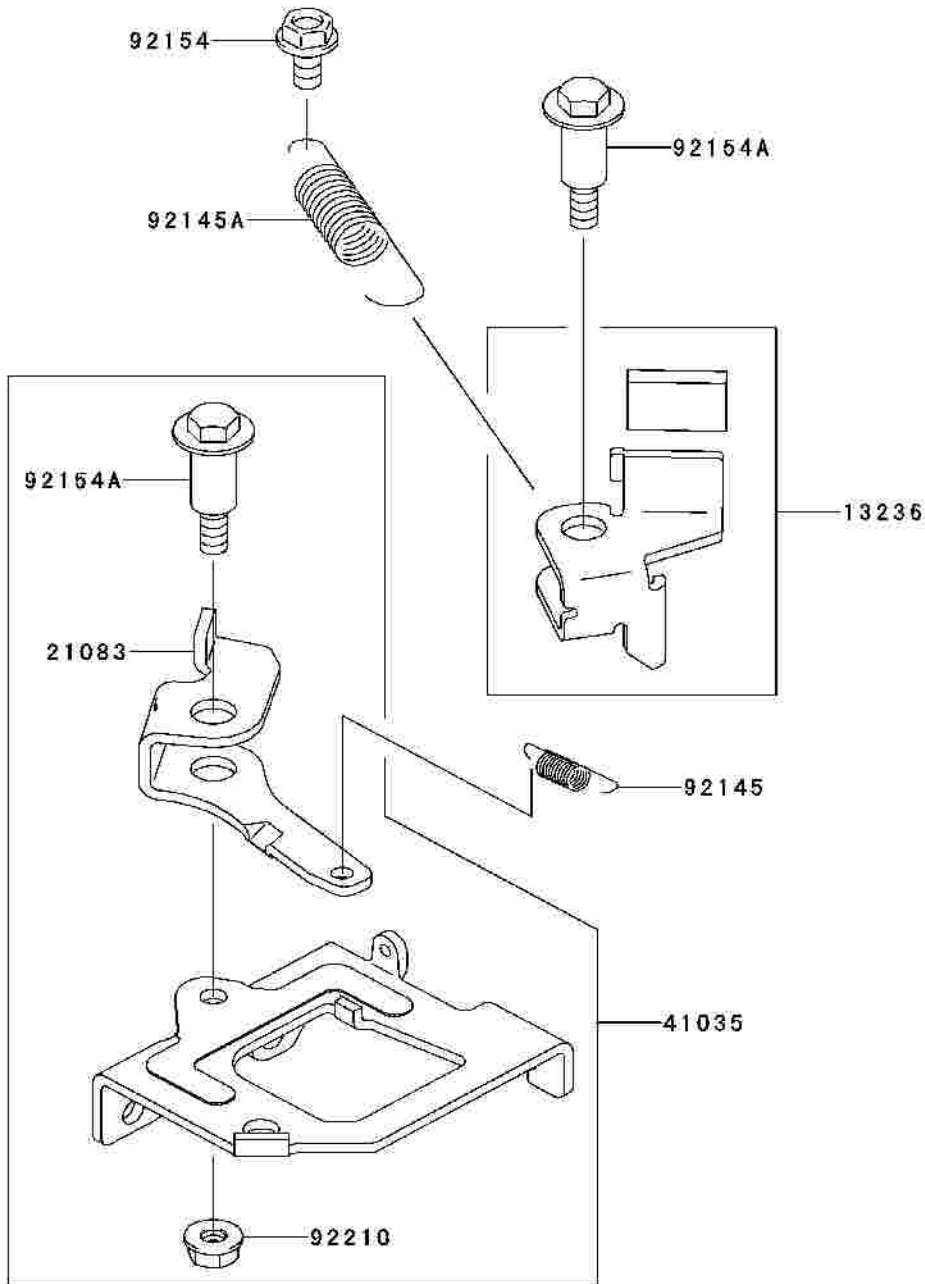
KAWASAKI FJ180V-AM13 ENGINE PARTS MANUAL

Figure C-04 STARTER

| <u>Figure #</u> | <u>Part #</u> | <u>Description</u> | <u>Qty</u> |
|-----------------|---------------|----------------------|------------|
| C-04 | 13070-2124 | Guide,Rope | 1 |
| C-04 | 13070-2125 | Guide | 1 |
| C-04 | 13165-2108 | Pawl,Starter-Recoil | 2 |
| C-04 | 32099-2435 | Case,Starter-Recoil | 1 |
| C-04 | 46075-7002 | Grip, Recoil Starter | 1 |
| C-04 | 49088-2584 | Starter-Recoil | 1 |
| C-04 | 59101-2128 | Reel,Starter-Recoil | 1 |
| C-04 | 59106-2187 | Rope,3.5X2200 | 1 |
| C-04 | 92145-2200 | Spring,Spiral | 1 |
| C-04 | 92145-2201 | Spring | 1 |
| C-04 | 92154-2015 | Bolt,M6 | 4 |
| C-04 | 92172-2131 | Screw | 1 |

KAWASAKI FJ180V-AM13 ENGINE PARTS MANUAL

F0220-A013X



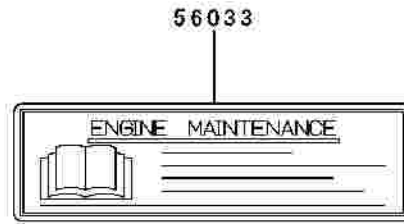
KAWASAKI FJ180V-AM13 ENGINE PARTS MANUAL

Figure D-03 BRAKE/COVER

| <u>Figure #</u> | <u>Part #</u> | <u>Description</u> | <u>Qty</u> |
|-----------------|---------------|--------------------|------------|
| D-03 | 13236-2165 | Lever-Comp | 1 |
| D-03 | 21083-2089 | Arm | 1 |
| D-03 | 41035-2055 | Panel-Assy-Brake | 1 |
| D-03 | 92145-2180 | Spring | 1 |
| D-03 | 92145-2181 | Spring | 1 |
| D-03 | 92154-2004 | Bolt,6X10 | 1 |
| D-03 | 92154-2005 | Bolt,M6 | 2 |
| D-03 | 92210-2121 | Nut,M6 | 1 |

KAWASAKI FJ180V-AM13 ENGINE PARTS MANUAL

F0290-B015B



KAWASAKI FJ180V-AM13 ENGINE PARTS MANUAL

Figure D-03 LABEL

| <u>Figure #</u> | <u>Part #</u> | <u>Description</u> | <u>Qty</u> |
|-----------------|---------------|--------------------|------------|
| D-04 | 56033-2087 | Label-Manual | 1 |
| D-04 | 56071-2002 | Label-Warning | 1 |
| D-04 | 56080-2473 | Label-Brand | 1 |