

# Eastman | Ingersoll

## Eastman Commercial

Mower Discontinued - Parts Only

### 20" COMMERCIAL SLOPE MOWER PARTS MANUAL

*Including HONDA GCV160 Engine Parts  
for Eastman Industries Slope Mower™ Model WMS 20H*

#### Table of Contents

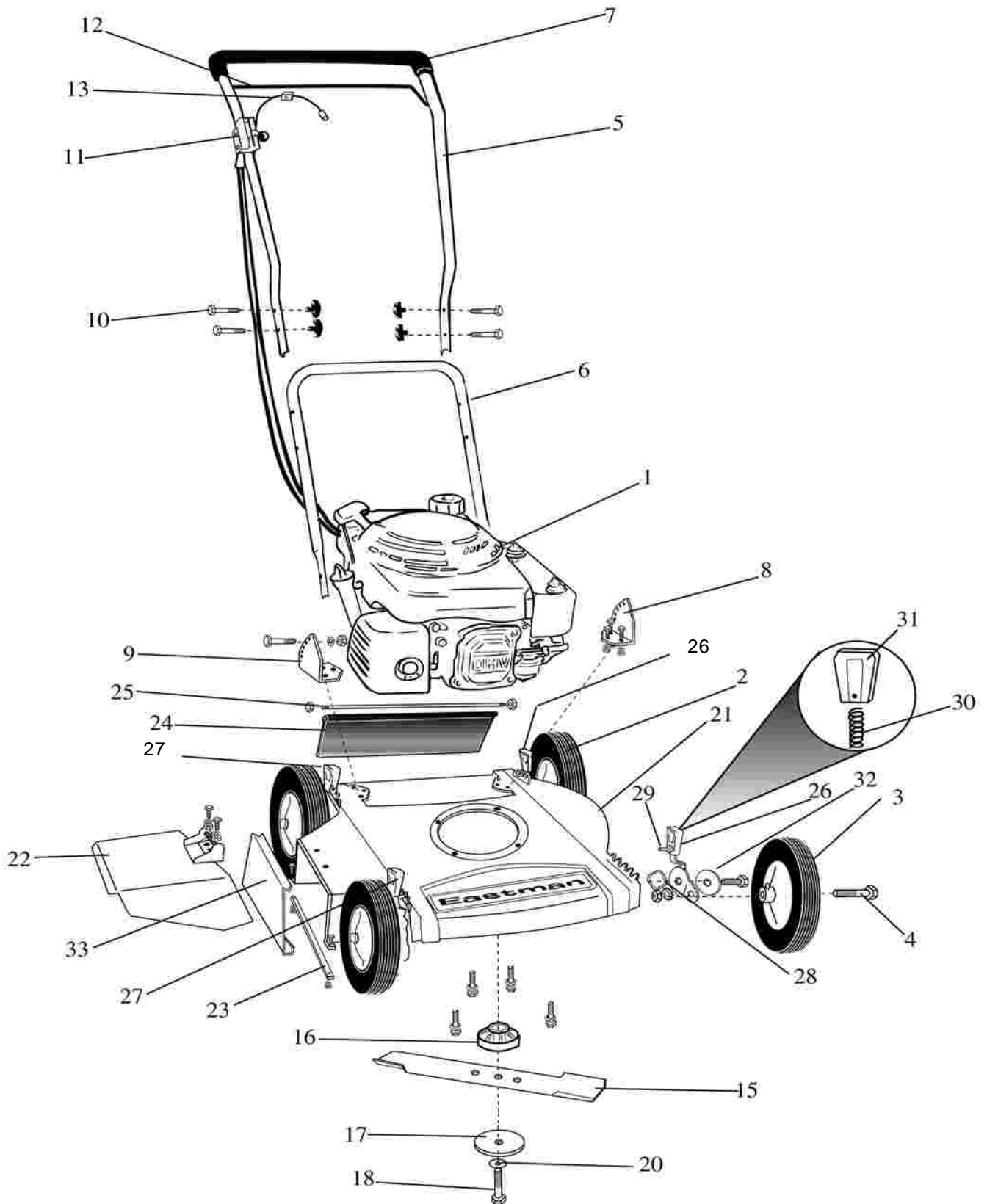
<u>Parts</u>	<u>Page</u>
Mower Parts	2-3
Cylinder Barrel	4
Oil Pan	5
Crankshaft	6
Piston Connecting Rod	7
Camshaft Pulley	8
Recoil Starter	9
Fan Cover/Fuel System	10
Carburetor	11
Air Cleaner	12
Muffler	13
Flywheel	14
Control	15
Label	16

EASTMAN INDUSTRIES  
70 INGERSOLL DRIVE  
PORTLAND, ME 04103  
TEL (207) 878-5353  
TEL (800) 760-1680  
FAX (207) 878-9109  
EMAIL: [info@eastmanind.com](mailto:info@eastmanind.com)  
[www.eastmanmowers.com](http://www.eastmanmowers.com)

# Eastman Commercial

Model WMS 20H

MOWER DISCONTINUED-PARTS ONLY

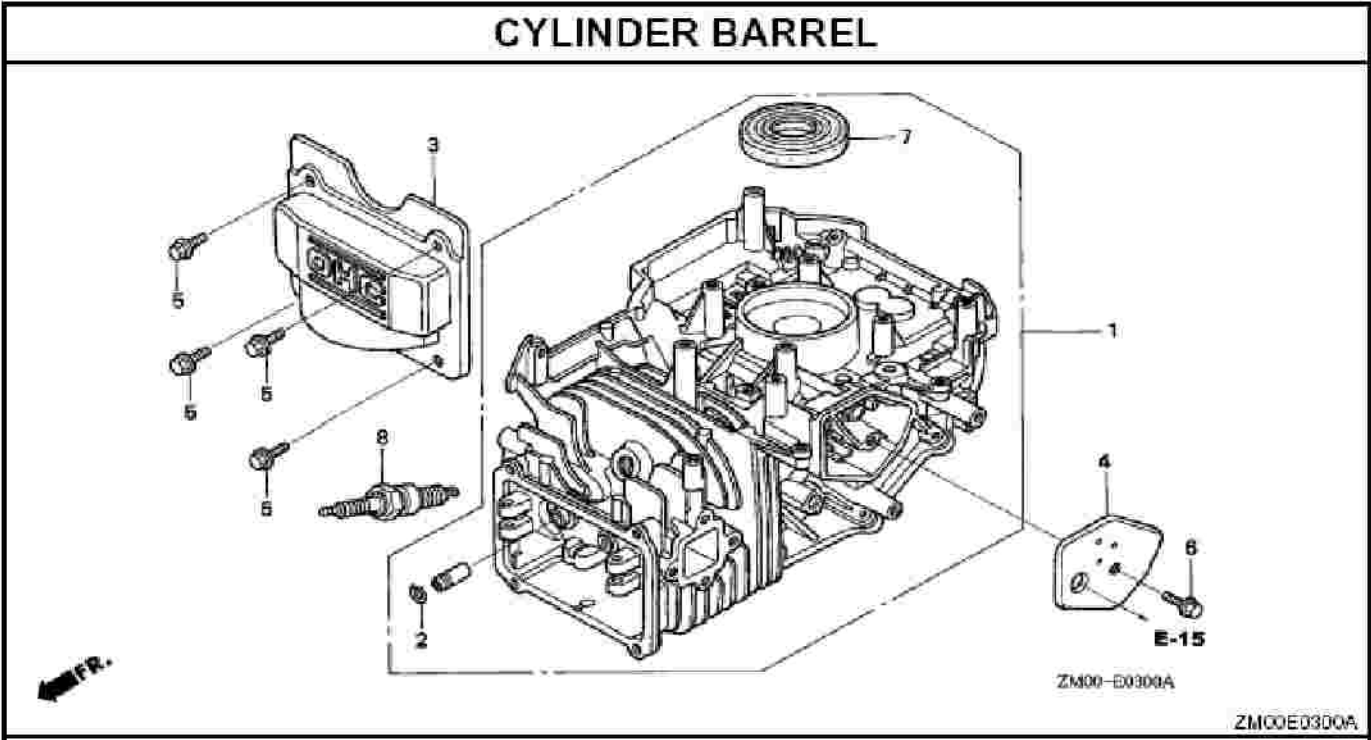


**PARTS LIST FOR MODEL WMS 20H - MOWER DISCONTINUED - PARTS ONLY**

<u>Scm #</u>	<u>Part #</u>	<u>Description</u>	
1	HM19GCV160-OP	Honda 5.5 HP 4 Cycle Engine	
2	WM1002-S	9" Rear Wheel, Ribbed	
3	WM1000-S	8" Front Wheel, Ribbed	
4	WM1003	Shoulder Bolt, Wheels	
5	WM1007-N	Upper Handle with Grip	
6	WM1008	Lower handle	
7	WM1009	Handle Grip	
8	WM1010	Left Handle Bracket	
9	WM1011	Right Handle Bracket	
10	HM22583	Handle Knob with Hardware	
11	HM19H-21571	Throttle Control & Cable	
12	HM19S-2172N	Bail Arm (subs from HM19S-2172)	
13	WM1016	Brake Cable	
15	WMS 1019	High Lift Drop Blade	
16	WM1022	Blade Adapter	
16	WM1022A	Drop Blade Adapter (1/2" shorter cut)	
17	WM1023	Blade Washer	
18	WM1024	Blade Retaining Bolt	
20	WM1026	Blade Lock Washer	
21	WM1030-N	Deck with Logos and Decals	No longer available
22	WM1031	Grass Chute	
23	WM1032	Foot Guard	
24	WM1033	Rubber Drag	
25	WM1034	Drag Bar	
26	WM1040-N	Height Adjustment Bracket, Front Left,Rear Left	
27	WM1041-N	Height Adjustment Bracket, Front Right, Rear Right	
28	WM1042	Disc Spring, Height Adjustment Bracket	
29	WM1043	Discontinued - See 26 & 27 or WM 1048	No longer available
30	WM1044	Discontinued - See 26 & 27 or WM 1048	No longer available
31	WM1045	Discontinued - See 26 & 27 or WM 1048	No longer available
32	WM1046	Flat Washer, Height Adjustment Bracket	
	WM1048	Complete Height Adjustment Bracket Set	
34	HM19S-2175	Woodruff Key	
	WM1054	Wheel Attachment Nuts	
<b><u>ACCESSORIES</u></b>			
33	WM1019	Mulching Plate	
	WM1057	Steel Grass Catcher	

**HONDA GCV160 ENGINE PARTS MANUAL**

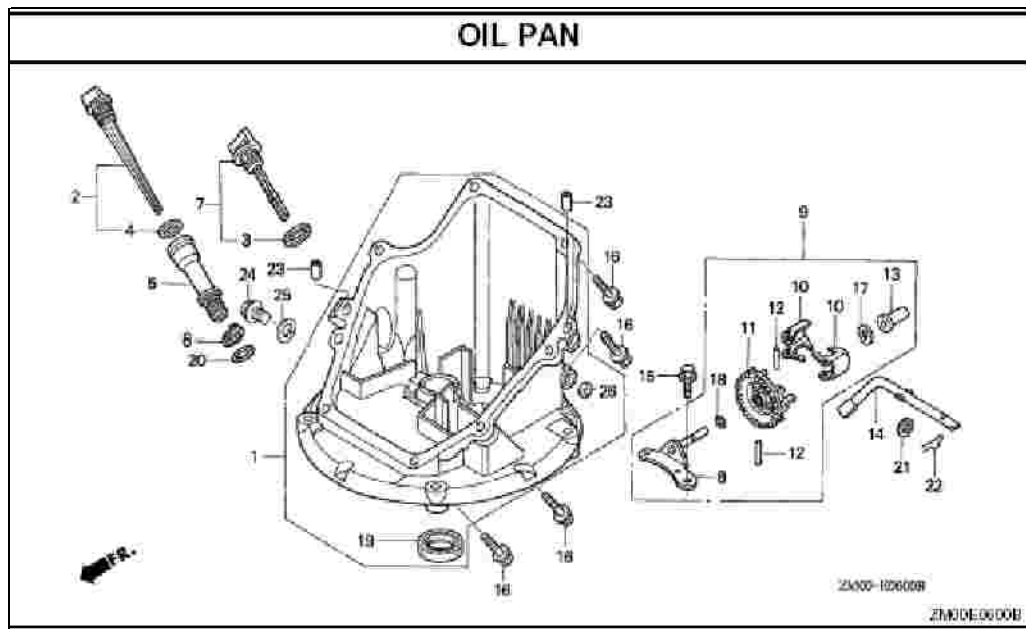
Figure 10. Cylinder Barrel



<u>Figure</u>	<u>Scm #</u>	<u>Part #</u>	<u>Description</u>	<u>Qty</u>
10	1	12000-ZL8-415	Cylinder Assy. (010)	1
10	2	12216-ZE5-300	Clip, Valve Guide	1
10	3	12311-ZL8-000	Cover, Head	1
10	4	12355-ZL8-000	Cover, Breather	1
10	5	90013-883-000	Bolt, Flange (6X12) (CT200)	4
10	6	90014-952-000	Bolt, Flange (6X14)	1
10	7	91201-ZL8-003	Oil Seal, (25.4X62X6)	1
10	8	98079-56846	Spark Plug (BRP6ES) (NGK)	1

# HONDA GCV160 ENGINE PARTS MANUAL

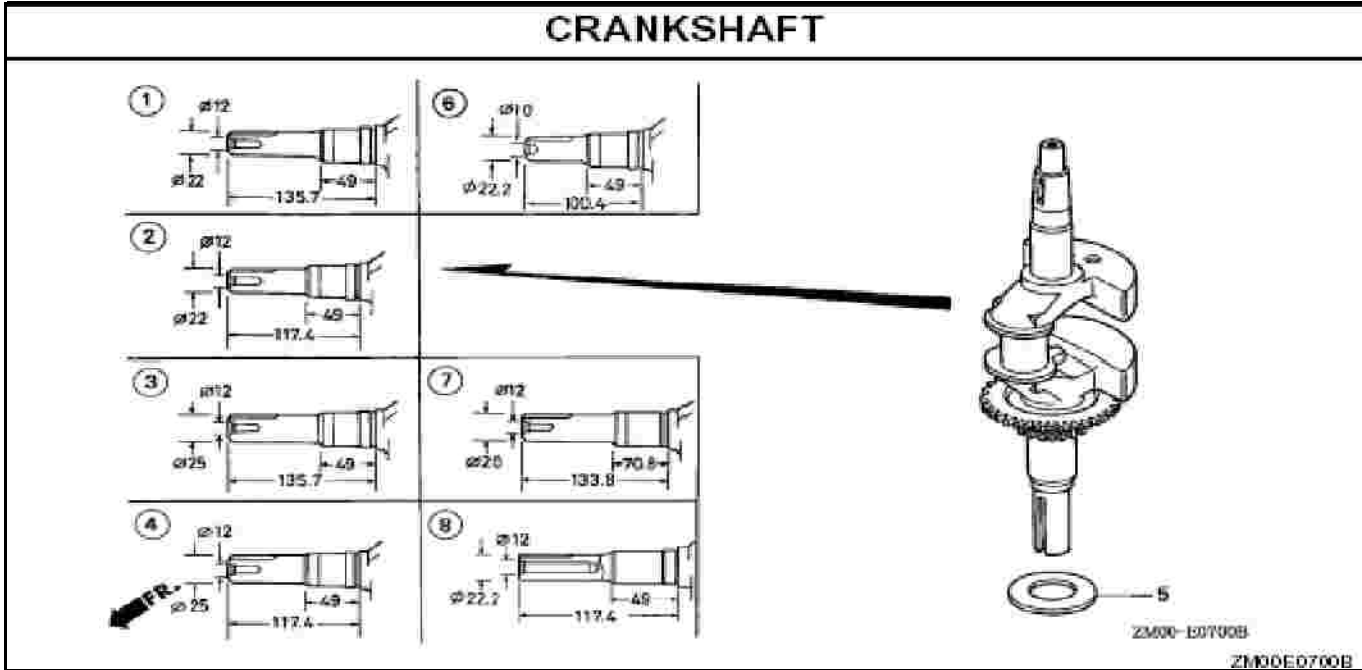
## Figure 11. Oil Pan



<u>Figure</u>	<u>Scm #</u>	<u>Part #</u>	<u>Description</u>	<u>Qty</u>
11	1	11300-ZOM-780	Pan Assy., Oil	1
11	2	15650-ZMO-801	Gauge Assy., Oil Level	1
11	4	15625-ZE6-000	Gasket, Oil Filter Cap	1
11	5	15631-ZM0-000	Extension, Oil Filter	1
11	6	15639-ZM0-000	Washer, Extension Lock	1
11	8	16508-ZM0-010	Shaft, Governor Holder	1
11	9	16510-ZM0-010	Governor, Assy.	1
11	10	16511-ZL8-000	Weight, Governor	2
11	11	16512-ZM0-000	Holder, Governor Weight	1
11	12	16513-ZE1-000	Pin, Governor Weight	2
11	13	16531-ZE1-000	Slider, Governor	1
11	14	16541-ZM0-000	Shaft, Governor Arm	1
11	15	90014-952-000	Bolt, Flange (6X14)	1
11	16	90121-952-000	Bolt, Flange (6X25)	8
11	17	90451-ZE1-000	Washer, Thrust (6MM)	1
11	18	90602-ZE1-000	Clip, Governor Holder	1
11	19	91202-ZL8-003	Oil Seal (28X41.25X6)	1
11	20	91356-MA6-005	O-Ring (14.8X2.4) (NOK)	1
11	21	94101-06800	Washer, Plain (6MM)	1
11	22	94251-08000	Pin, Lock (8MM)	1
11	23	94301-08200	Pin, Dowel (8.20)	2
11	26	91231-891-003	Oil Seal (6X11X4)	1

HONDA GCV160 ENGINE PARTS MANUAL

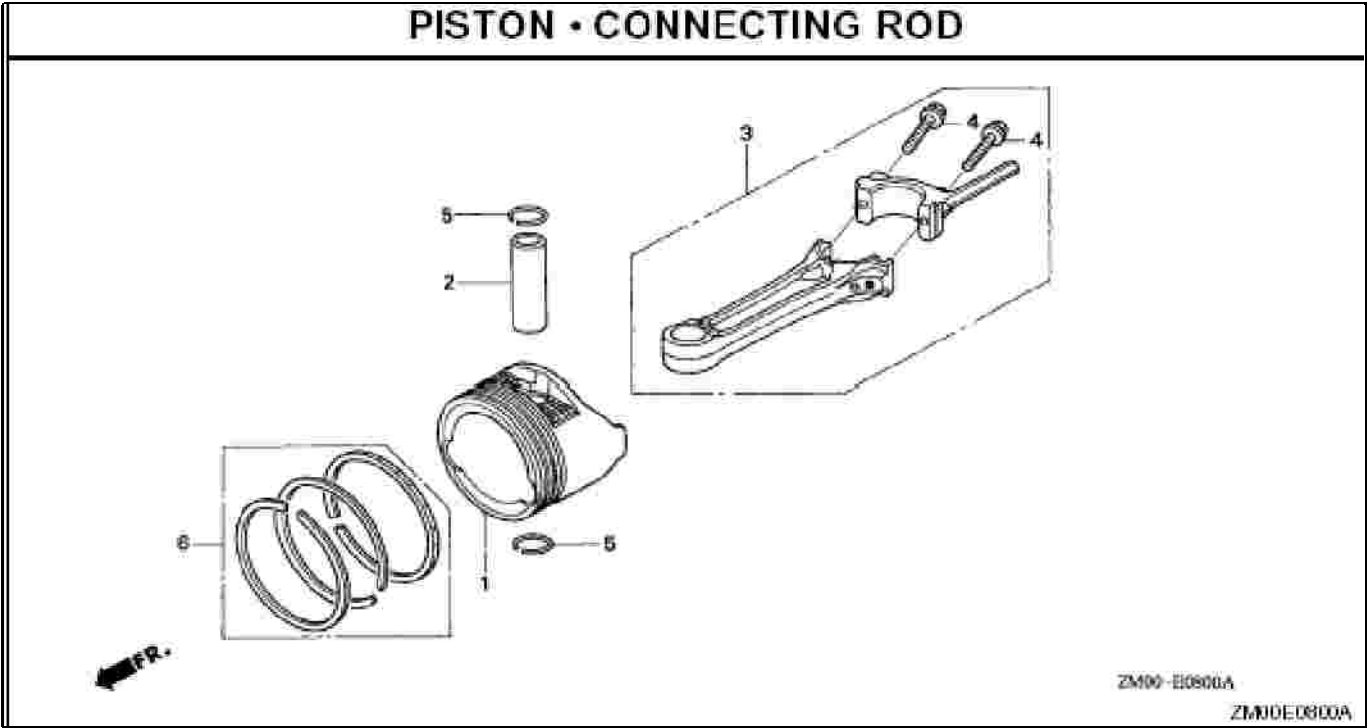
Figure 12. Crankshaft



<u>Figure</u>	<u>Ref #</u>	<u>Part #</u>	<u>Description</u>	<u>Qty</u>
12	5	90402-ZL8-000	Washer, Thrust	1
12	6	13310-ZOL-780	CrankShaft (N7-TYPE)	1

HONDA GCV160 ENGINE PARTS MANUAL

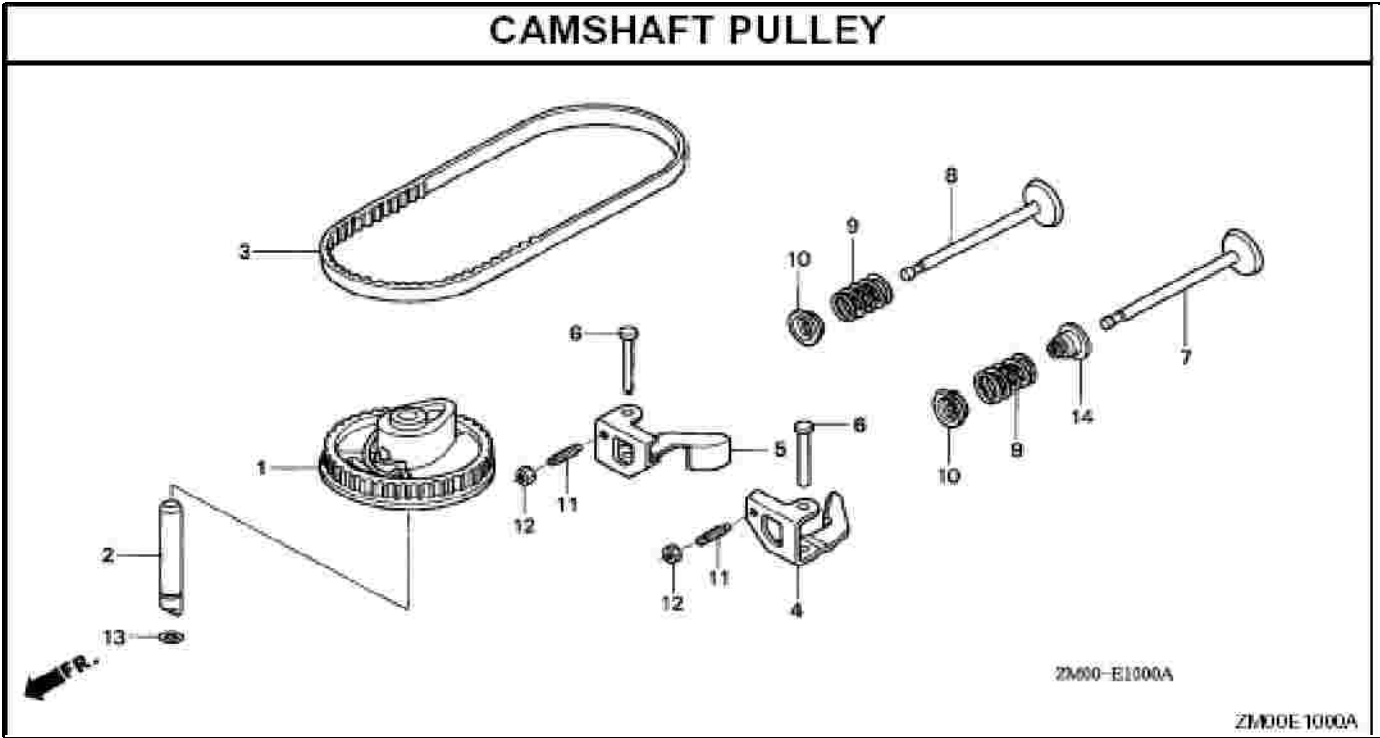
Figure 13. Piston - Connecting Rod



<u>Figure</u>	<u>Scm #</u>	<u>Part #</u>	<u>Description</u>	<u>Qty</u>
13	1	13101-ZL8-000	Piston	1
13	2	13111-ZE0-000	Pin, Piston	1
13	3	13200-ZL8-000	Rod Assy., Connecting	1
13	4	90001-ZE1-000	Bolt, Connecting Rod	2
13	5	90551-ZE0-000	Clip, Piston Pin (13MM)	2
13	6	13010-ZL8-014	Ring Set, Piston (TEIKOKU)	1

**HONDA GCV160 ENGINE PARTS MANUAL**

Figure 14. CamShaft Pulley

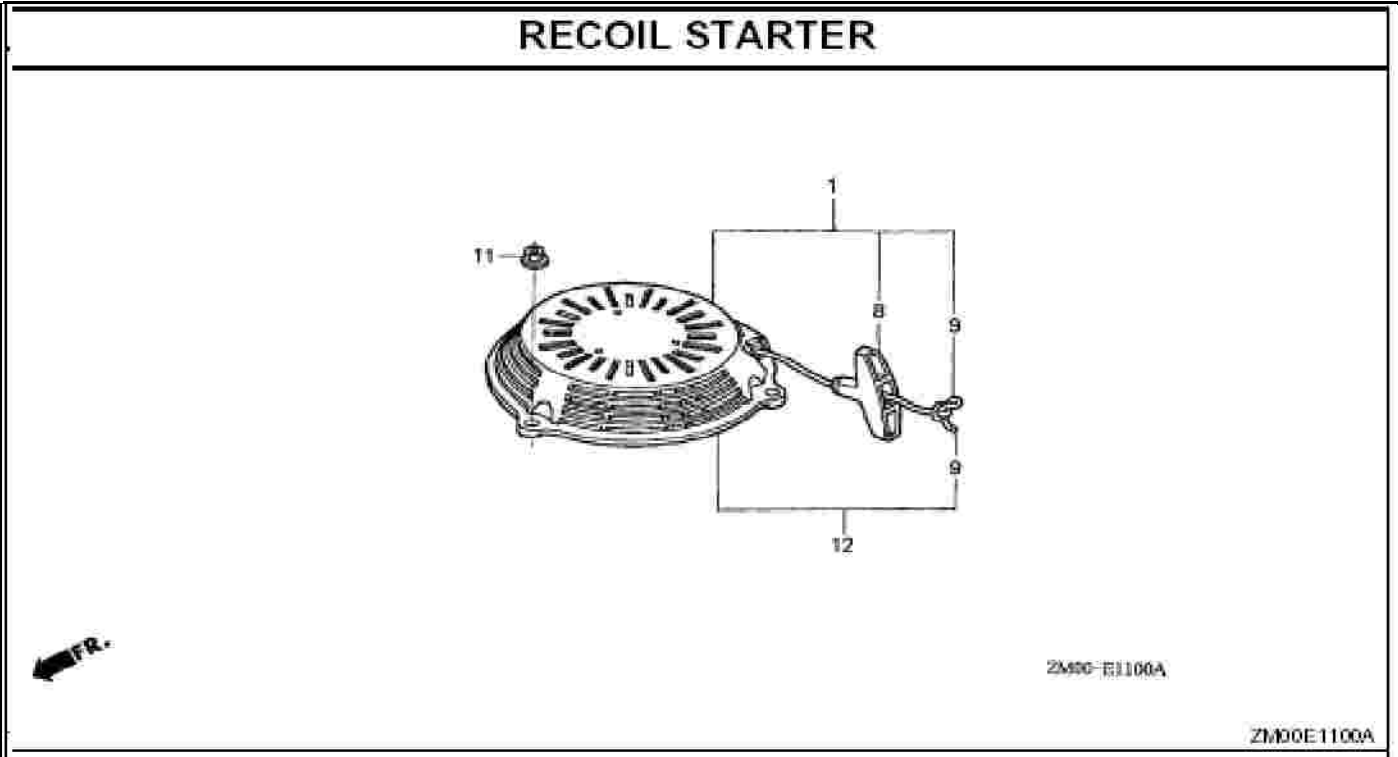


<u>Figure</u>	<u>Ref #</u>	<u>Part #</u>	<u>Description</u>	<u>Qty</u>
14	1	14320-ZL8-010	Pulley, CamShaft	1
14	2	14324-ZL8-000	Shaft Cam Pulley	1
14	3	14400-ZL8-013	Belt Timing (84HU7 G-200)	1
14	4	14431-ZL8-000	Arm, in. Valve Rocker	1
14	5	14441-ZOJ-000	Arm, Ex Valve Rocker (subs from -ZL8-000)	1
14	6	14461-ZL8-000	Shaft, Rocker Arm	2
14	7	14711-ZOJ-000	Valve, in.	1
14	8	14721-ZL8-000	Valve, Ex	1
14	9	14751-ZL8-000	Spring, Valve	2
14	10	14771-ZE1-000	Retainer, in. Valve Spring	2
14	11	90012-333-000	Screw, Tappet Adj.	2
14	12	90206-001-000	Nut, Tappet Adj.	2
14	13	91301-ZM0-V31	O-Ring (6.8X1.9)	1
14	14	12209-ZM0-003	Seal, Valve Stem	1



HONDA GCV160 ENGINE PARTS MANUAL

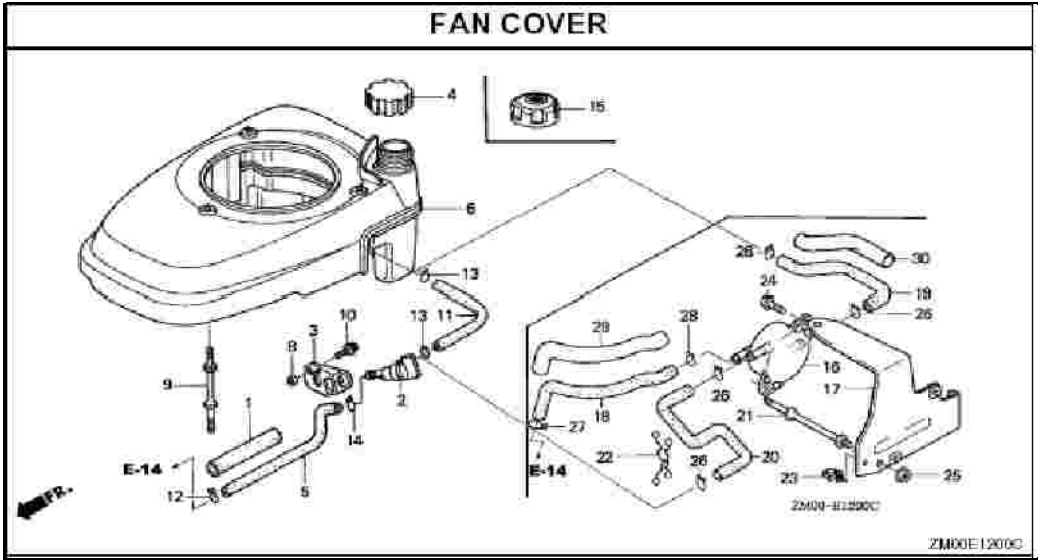
Figure 15. Recoil Starter



<u>Figure</u>	<u>Scm #</u>	<u>Part #</u>	<u>Description</u>	<u>Qty</u>
15	1	28400-ZL8-023ZA	Starter Assy., ReCoil NH1 Blk	1
15	8	28461-ZL8-003	Knob, ReCoil Starter	1
15	9	28462-ZL8-003	Rope, ReCoil Starter	1
15	11	90201-ZM0-000	Nut, Flange (6MM)	3

**HONDA GCV160 ENGINE PARTS MANUAL**

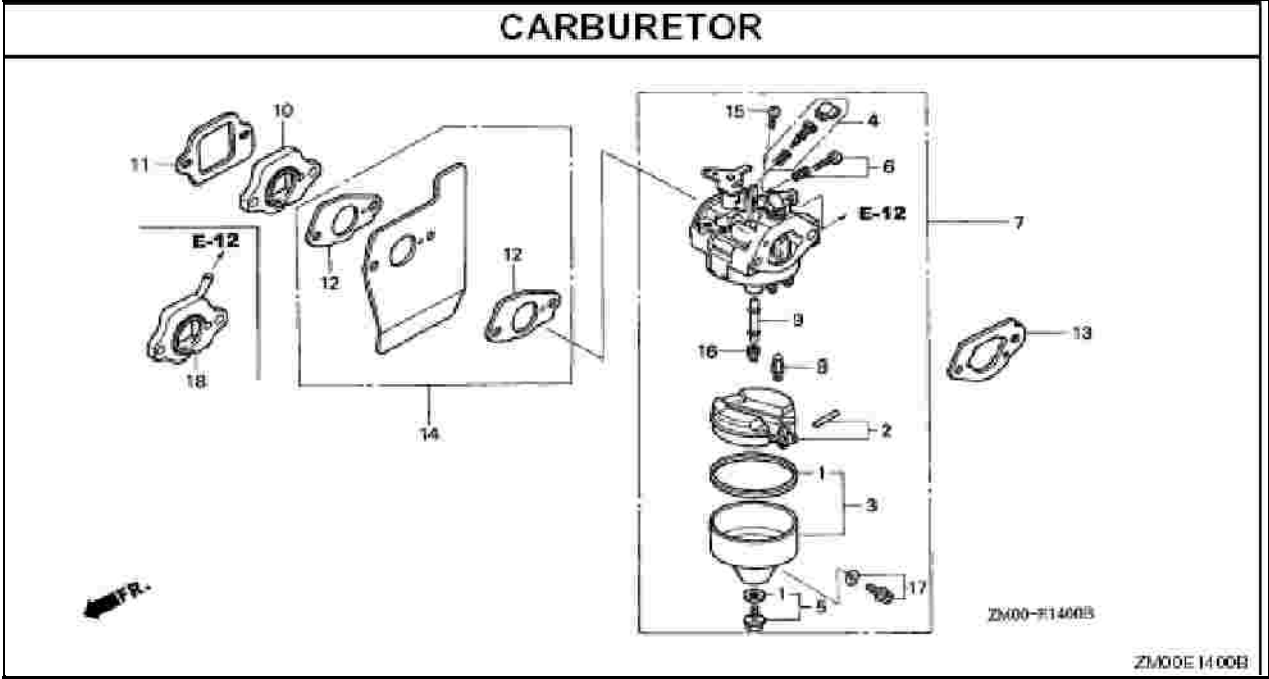
Figure 16. Fan Cover



<u>Figure</u>	<u>Scm #</u>	<u>Part #</u>	<u>Description</u>	<u>Qty</u>
16	1	16854-ZH8-000	Rubber, Supporter (107MM)	1
16	2	16950-ZG9-M02	Petcock, Assy. (MAN)	1
16	3	16956-ZG9-M00	Bracket, Petcock	1
16	4	17620-ZL8-013	Cap Assy, Fuel Tank	1
16	5	17702-ZM0-000	Tube, Fuel	1
16	6	19610-ZOL-000ZA	Cover, Fan *NH1* (BLACK)	1
16	8	33609-GK4-620	Collar, Fr.Turn Signal	1
16	9	90043-ZL8-000	Bolt, Stud	3
16	10	93891-05010-08	Screw-Washer (5X10)	1
16	12	95002-02080	Clip, Tube (B8)	1
16	14	95002-50000	Clip, Tube (C9)	1
16	15	17620-Z0J-800	Cap Assy, Fuel Tank, w/tether	1
16	16	16700-ZOM-782	Pump Assy., Fuel	1
16	17	16711-ZOL-780	Stay, Fuel Pump	1
16	18	16882-ZOL-780	Tube, Diaphragm	1
16	19	17701-ZOM-780	Tube, Fuel Tank	1
16	20	17703-ZOL-780	Tube B, Fuel	1
16	21	90041-ZOM-780	Bolt, Stud	1
16	22	90601-ZOM-003	Clip, Purse Lock	1
16	23	90659-680-013	Clip, Wire Harness	1
16	24	93894-05014-00	Screw-Washer (5X14)	2
16	25	94050-06000	Nut, Flange (6MM)	1
16	26	95002-02100	Clip, Tube (B10)	4
16	27	95002-45000	Clip, Tube (4.5)	1
16	28	95002-50000	Clip, Tube (C9)	1
16	29	95003-25003-10M	Bulk Hose, Vinyl	1
16	30	95003-36003-10M	Bulk Hose, Vinyl	1

HONDA GCV160 ENGINE PARTS MANUAL

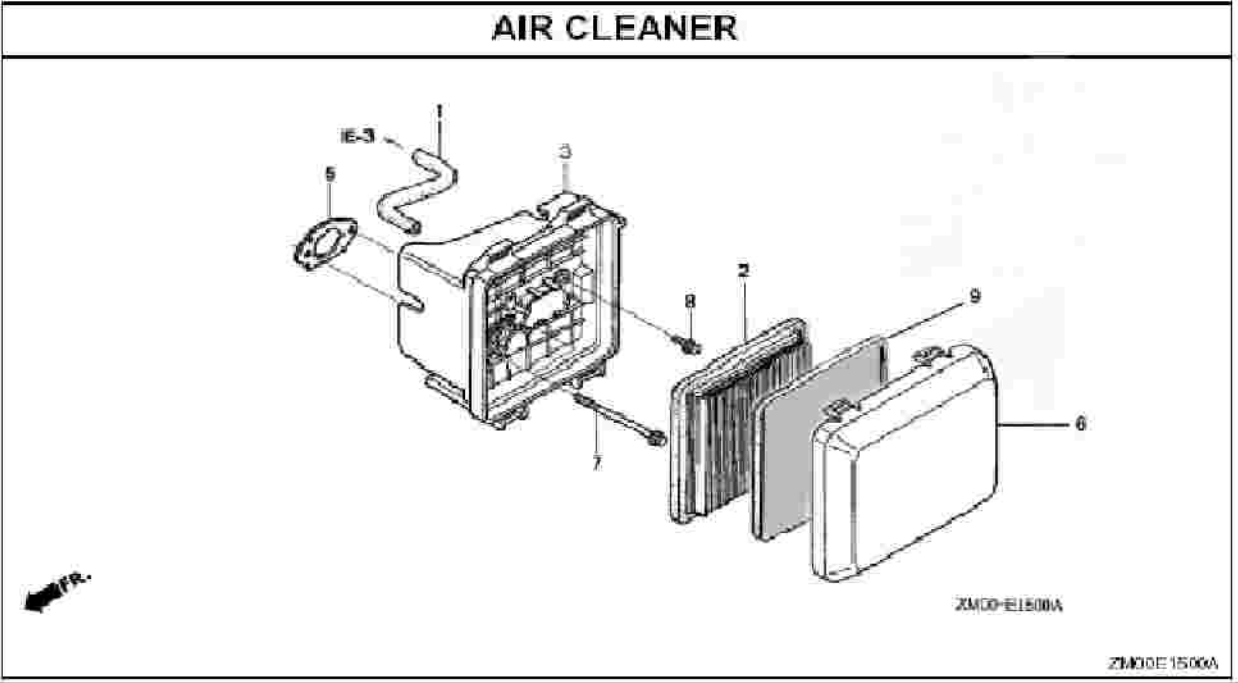
Figure 17. Carburetor



<u>Figure</u>	<u>Scm #</u>	<u>Part #</u>	<u>Description</u>	<u>Qty</u>
17	1	16010-883-015	Gasket Set	1
17	2	16013-ZL1-003	Float Set	1
17	3	16015-887-782	Chamber Set, Float	1
17	4	16016-ZGO-W00	Screw Set	1
17	5	16028-ZE0-005	Screw Set B	1
17	6	16029-ZGO-901	Screw Set	1
17	7	16100-Z1L-013	Carburetor Assy (subs from -ZOL-781 and -Z1L-003)	1
17	8	16155-ZM0-003	Valve, Float	1
17	9	16166-ZM0-003	Nozzle, Main	1
17	11	16212-ZL8-000	Gasket, Insulator	1
17	12	16221-883-800	Gasket, Carburetor	2
17	13	16228-ZL8-000	Gasket, Carburetor(Choke Side)	1
17	14	19650-ZM0-000	Guide, Air	1
17	15	93500-05006-OH	Screw, Pan (5X6)	1
17	16	99101-124-0600	Jet, Main (#60)	1
17	16	99101-124-0620	Jet, Main (#62)	1
17	16	99101-124-0650	Jet, Main (#65)	1
17	17	16024-ZE1-811	Screw Set, Drain	1
17	18	16210-ZOM-780	Insulator, Carburetor	1

HONDA GCV160 ENGINE PARTS MANUAL

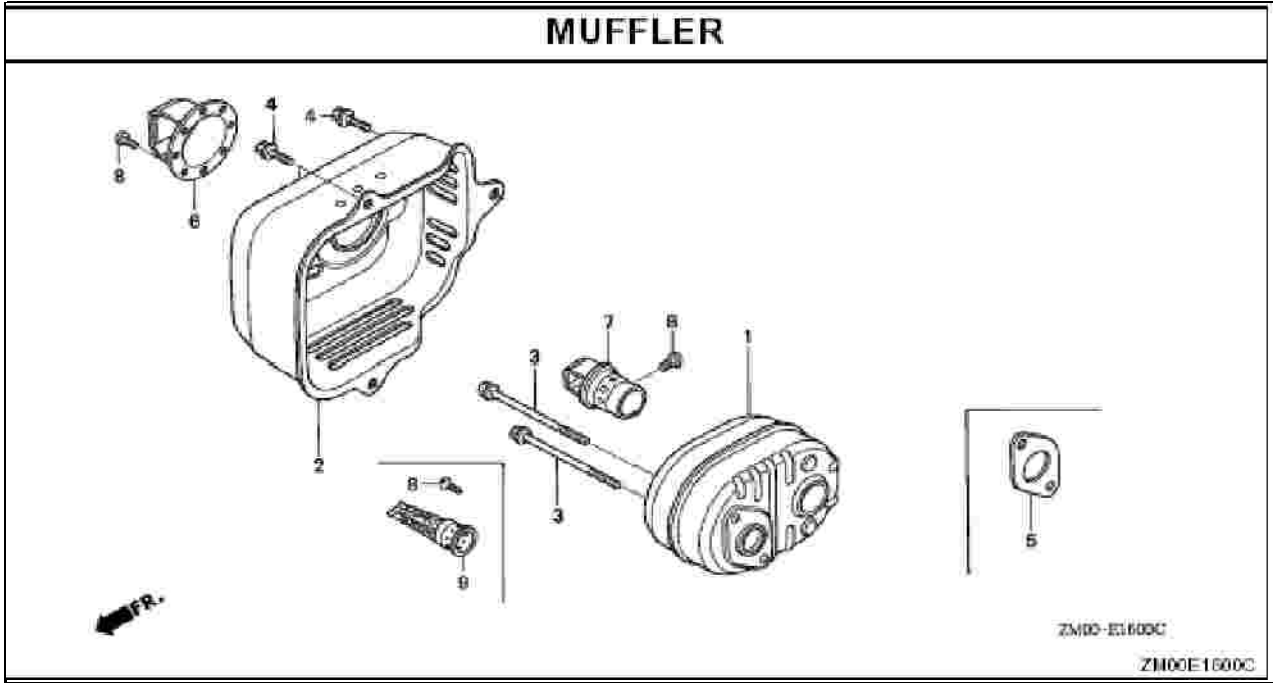
Figure 18. Air Cleaner



<u>Figure</u>	<u>Scm #</u>	<u>Part #</u>	<u>Description</u>	<u>Qty</u>
18	1	15721-ZM0-000	Tube, Breather	1
18	2	17211-ZL8-023	Element, Air Cleaner (subs from - 003)	1
18	3	17220-ZM0-000	Case Assy., Air Cleaner	1
18	5	17228-ZM0-000	Gasket, Air Cleaner	1
18	6	17231-ZOL-000	Cover, Air Cleaner	1
18	7	90003-ZM0-000	Bolt, Flange (6X86)(CT200)	2
18	8	95701-06014-08	Bolt, Flange (6X14)	1
18	9	17218-ZOD-000	Filter, Outer	1

HONDA GCV160 ENGINE PARTS MANUAL

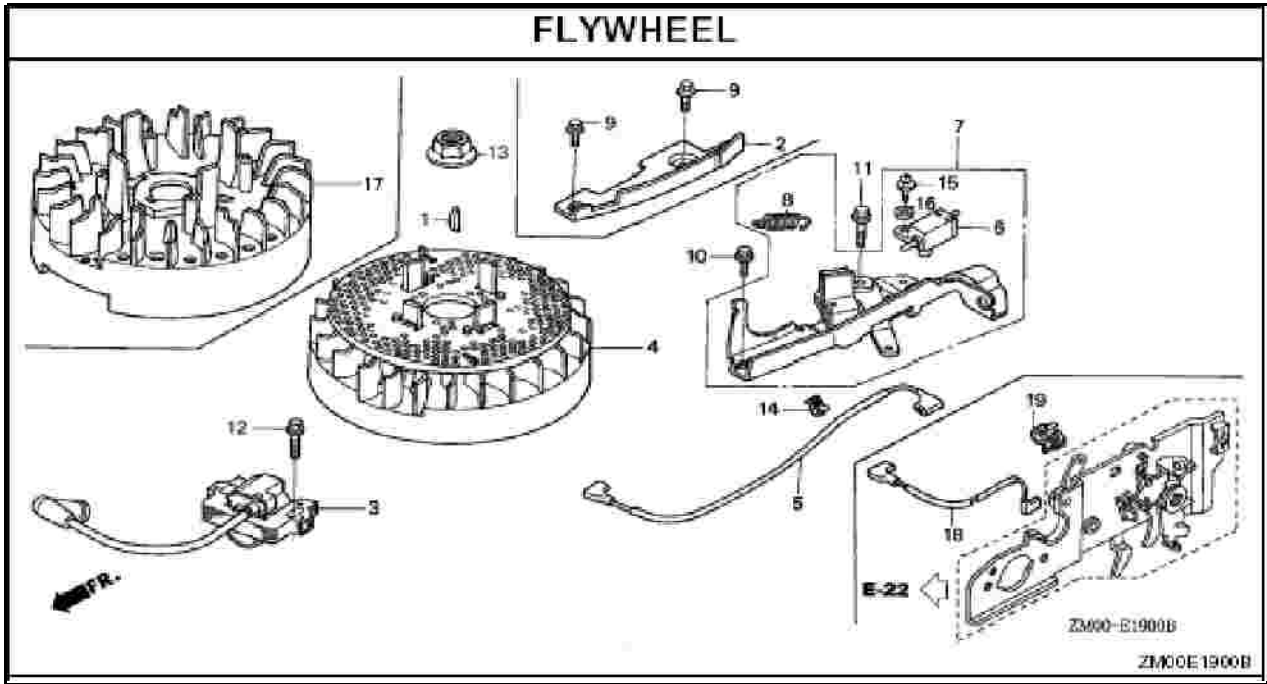
Figure 19. Muffler



<u>Figure</u>	<u>Scm #</u>	<u>Part #</u>	<u>Description</u>	<u>Qty</u>
19	1	18310-ZM0-000	Muffler	1
19	2	18320-ZOM-780	Protector, Muffler	1
19	2	18321-AL8-000	Protector, Muffler	1
19	3	90004-ZL8-000	Bolt, Flange (6X79)(CT200)	2
19	4	90013-883-000	Bolt, Flange (6X12)(CT200)	3
19	5	18381-ZL8-305	Gasket, Muffler	1

HONDA GCV160 ENGINE PARTS MANUAL

Figure 20 Flywheel



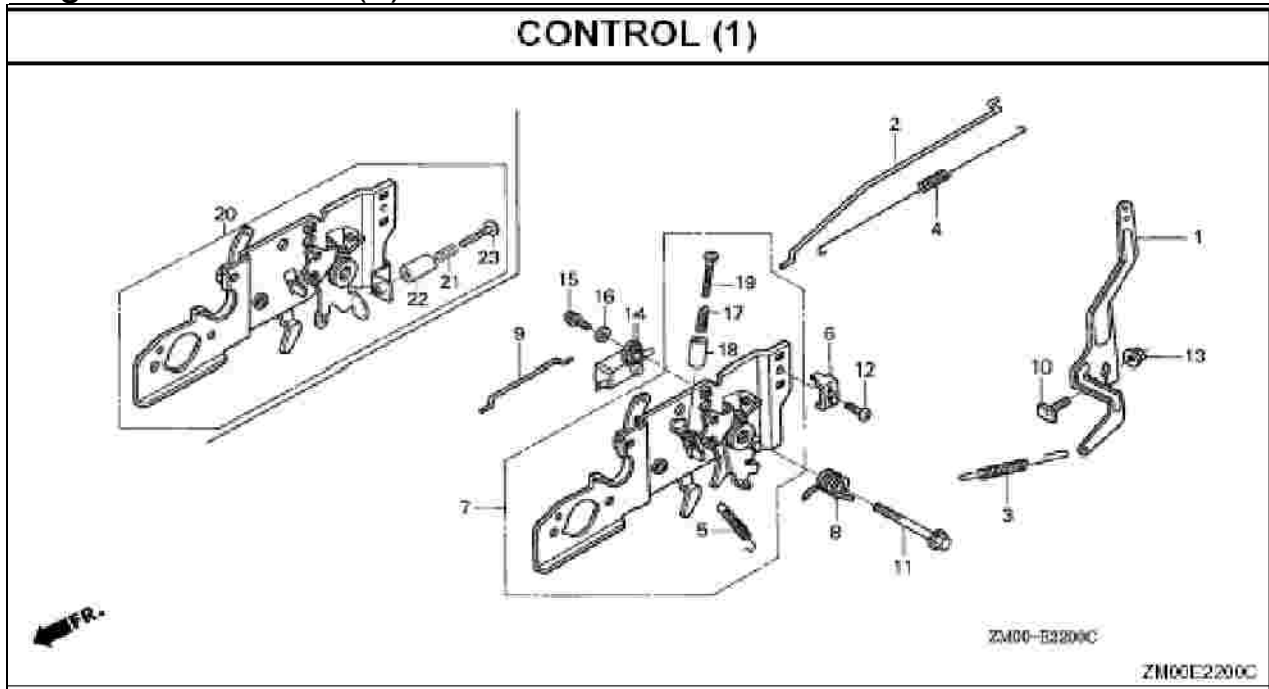
<u>Figure</u>	<u>Scm #</u>	<u>Part #</u>	<u>Description</u>	<u>Qty</u>
20	1	13331-357-000	Key, Special Woodruff (25X18)	1
20	2	19612-ZM0-J20	Plate, Side	1
20	3	30500-ZOJ-003	Coil Assy., Ignition	1
20	4	31105-ZOL-000	Flywheel Assy.	1
20	9	90013-883-000	Bolt, Flange (6X12)(CT200)	2
20	12	90022-888-010	Bolt, Flange (6X20)(CT200)	1
20	13	90201-878-003	Nut, Special (14MM)	1
20	18	32195-ZM0-800	Wire, Stop Switch	1
20	19	90681-959-003	Clip, Cable (A)	1
		35120-ZL8-003	Switch Assy, Engine Stop	1

**Operator's Presence:**

20	11	HM19H-21750	Flywheel Brake Screw	1
20	7	75100-ZMO-000	Brake Assy	1
20	2	19612-ZM0-J20	Plate, Side (Removed)	
20	9	90013-883-000	Bolt, Flange (6X12)(CT200)	1
20	10	90681-959-003	Clip, Cable (A) (Removed)	

**HONDA GCV160 ENGINE PARTS MANUAL**

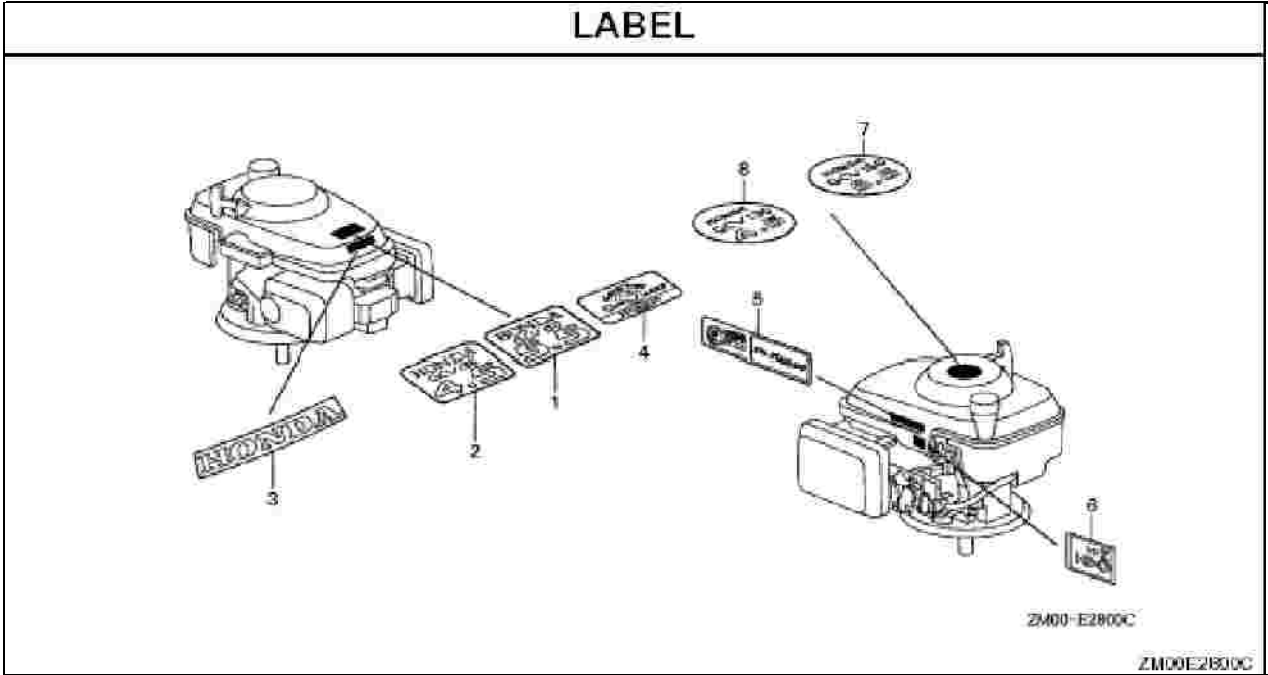
Figure 21 Control (1)



<u>Figure</u>	<u>Scm #</u>	<u>Part #</u>	<u>Description</u>	<u>Qty</u>
21	1	16551-ZM0-010	Arm, Governor	1
21	2	16555-ZM0-000	Rod, Governor	1
21	3	16561-ZM0-V30	Spring, Governor	1
21	4	16562-ZM0-000	Spring, Throttle Return	1
21	6	16576-891-000	Holder, Cable	1
21	9	16674-ZM0-000	Rod, Choke	1
21	10	90015-ZE5-010	Bolt, Governor Arm	1
21	11	90016-ZM0-000	Bolt, Flange (6X45)(CT200)	1
21	12	93500-05016-0A	Screw, Pan (5X16)	1
21	13	94050-06000	Nut, Flange (6MM)	1
21	14	35120-ZL8-003	Switch Assy., Engine Stop	1
21	15	93892-04012-00	Screw-Washer (4X12)	1
21	16	94103-04000	Washer, Plain (4MM)	1
21	17	16584-883-300	Spring, Control Adjusting	1
21	18	16599-ZG1-M10	Collar, Stopper	1
21	19	90016-ZE7-W00	Screw, Recessed (5X28)	1
21	20	16580-ZOM-780	Base, Control	1
21	21	16584-883-300	Spring, Control Adjusting	1
21	22	16599-ZG1-M10	Collar, Stopper	1
21	23	90016-ZE7-W00	Screw, Recessed (5X28)	1

HONDA GCV160 ENGINE PARTS MANUAL

Figure 22 Label



<u>Figure</u>	<u>Scm #</u>	<u>Part #</u>	<u>Description</u>	<u>Qty</u>
22	7	87101-Z0L-780	Mark, Emblem (GCV160)	1